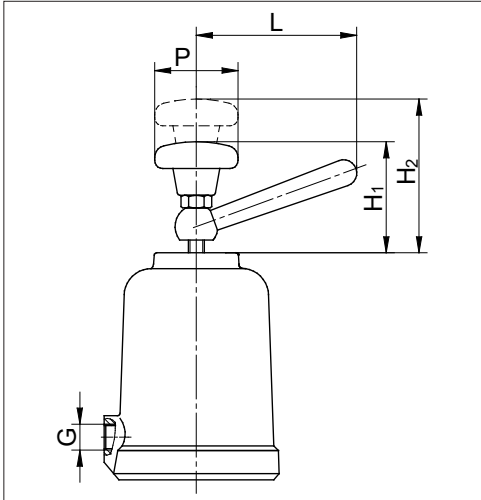


Manual Emergency Operation 9020

for Type 7010, 7030, 7031, 7070, 7080



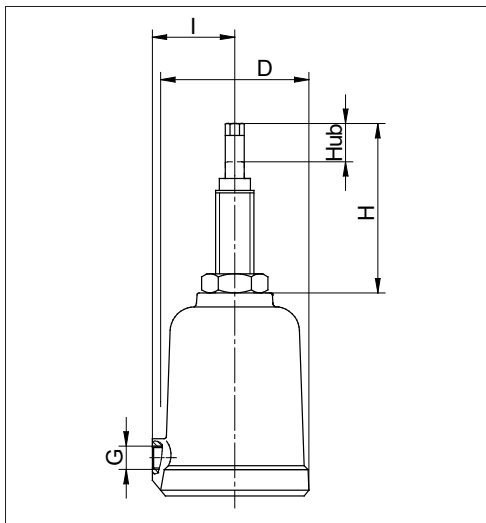
Additional manual operation:

(for normally closed version)

The valve can be opened manually by using the locking handle.

| Actuator | L | G | P | H1 | H2 |
|----------|------|--------|------|------|------|
| 2" | 1.89 | G 1/8" | 1.26 | 1.54 | 2.17 |
| 3" | 2.36 | G 1/4" | 1.57 | 2.24 | 3.39 |
| 5" | 2.36 | G 1/4" | 1.57 | 1.97 | 3.11 |

In order number system designated as 4



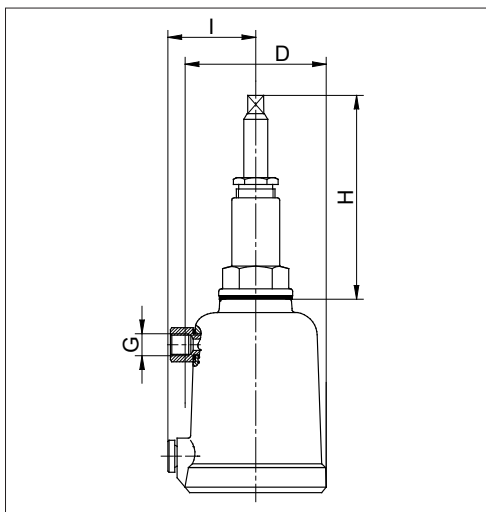
Stroke limitation:

(for normally closed version)

The maximum stroke can be limited with the help of an additional travel stop at the elongated piston rod.

| Actuator | D | I | G | H | Stroke |
|----------|------|------|--------|------|--------|
| 2" | 2.44 | 1.36 | G 1/8" | 2.66 | 0.63 |
| 3" | 3.86 | 2.17 | G 1/4" | 2.72 | 1.18 |
| 5" | 5.67 | 3.07 | G 1/4" | 2.44 | 1.18 |

In order number system designated as 5



Manual emergency operation and stroke limitation:

(for normally open version)

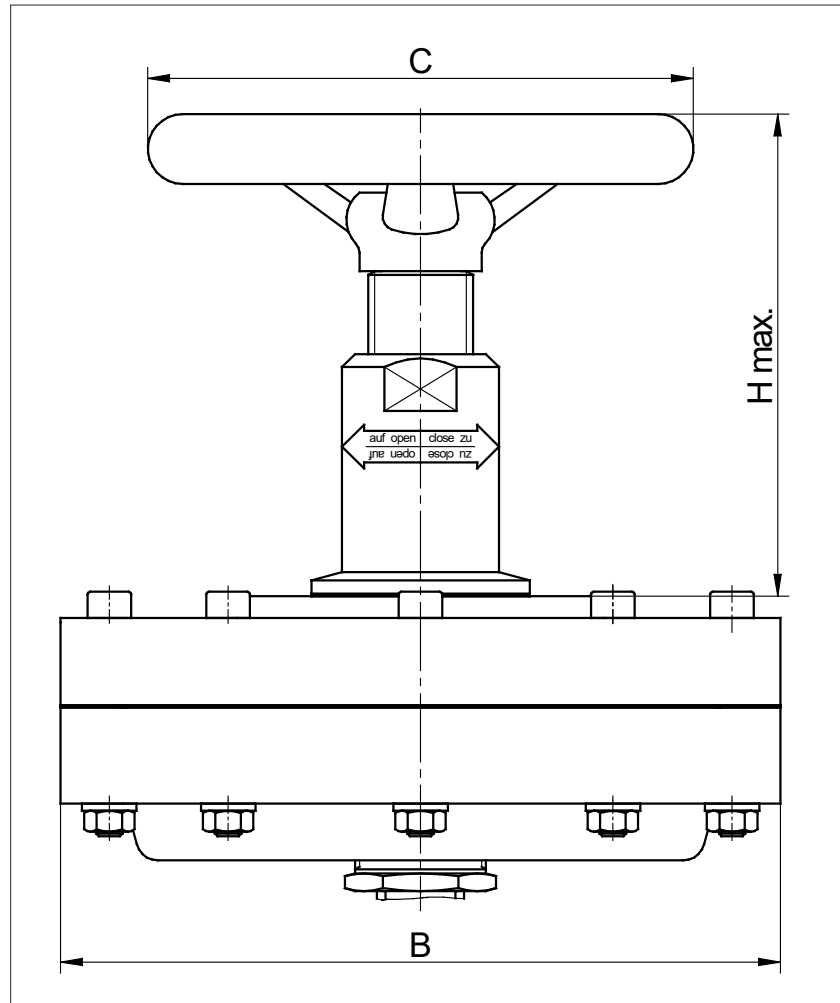
Using the set screw with packing you can limit the stroke or close valve in emergency.

| Actuator | G | D | Hmax. | I |
|----------|--------|------|-------|------|
| 2" | G 1/8" | 2.44 | 3.74 | 1.59 |
| 3" | G 1/4" | 3.86 | 3.74 | 2.4 |
| 5" | G 1/4" | 5.67 | 3.74 | 3.31 |

In order number system designated as 3

Additional Manual Operation

for Type 8020



| Actuator | B | C | Hmax | No. of springs |
|--|------|------|------|----------------|
| 5" | 6.5 | 4.92 | 4.53 | up to 6 |
| 5" | 6.5 | 7.87 | 4.92 | up to 8 |
| 10" | 8.74 | 7.87 | 4.72 | - |
| In order number system designated as 1 | | | | |

Text and pictures are not binding. We reserve the right to alter the equipment.