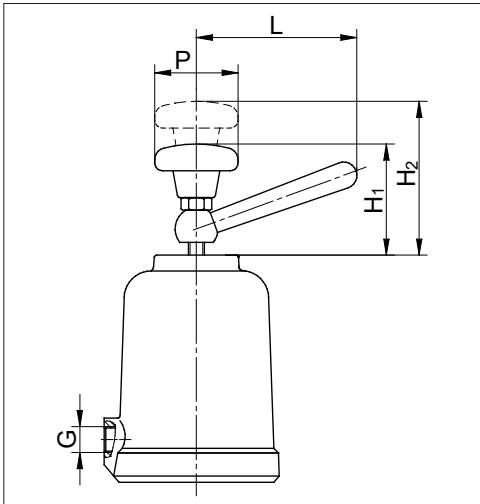


for Type 7010, 7030, 7031, 7070, 7080



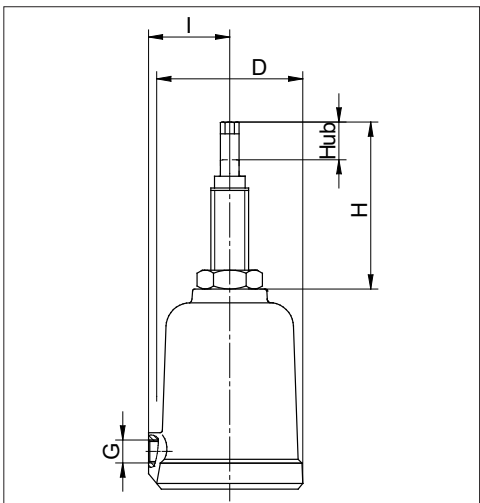
Additional manual operation:

(for normally closed version)

The valve can be opened manually by using the locking handle.

Actuator	L	G	P	H1	H2
50	48	G 1/8"	32	39	55
80	60	G 1/4"	40	57	86
125	60	G 1/4"	40	50	79

In order number system designated as 4



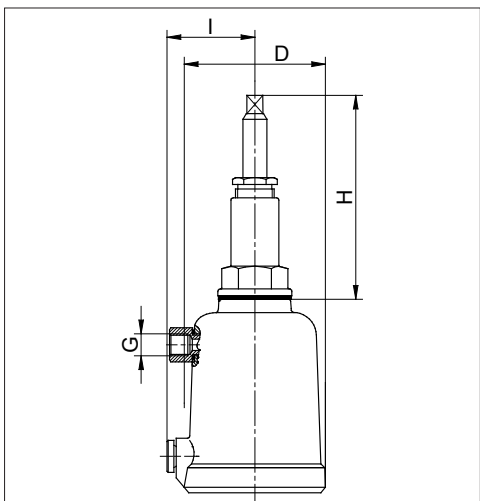
Stroke limitation:

(for normally closed version)

The maximum stroke can be limited with the help of an additional travel stop at the elongated piston rod.

Actuator	D	I	G	H	Stroke
50	62	34,5	G 1/8"	67,5	16
80	98	55	G 1/4"	69	30
125	144	78	G 1/4"	62	30

In order number system designated as 5



Manual emergency operation and stroke limitation:

(for normally open version)

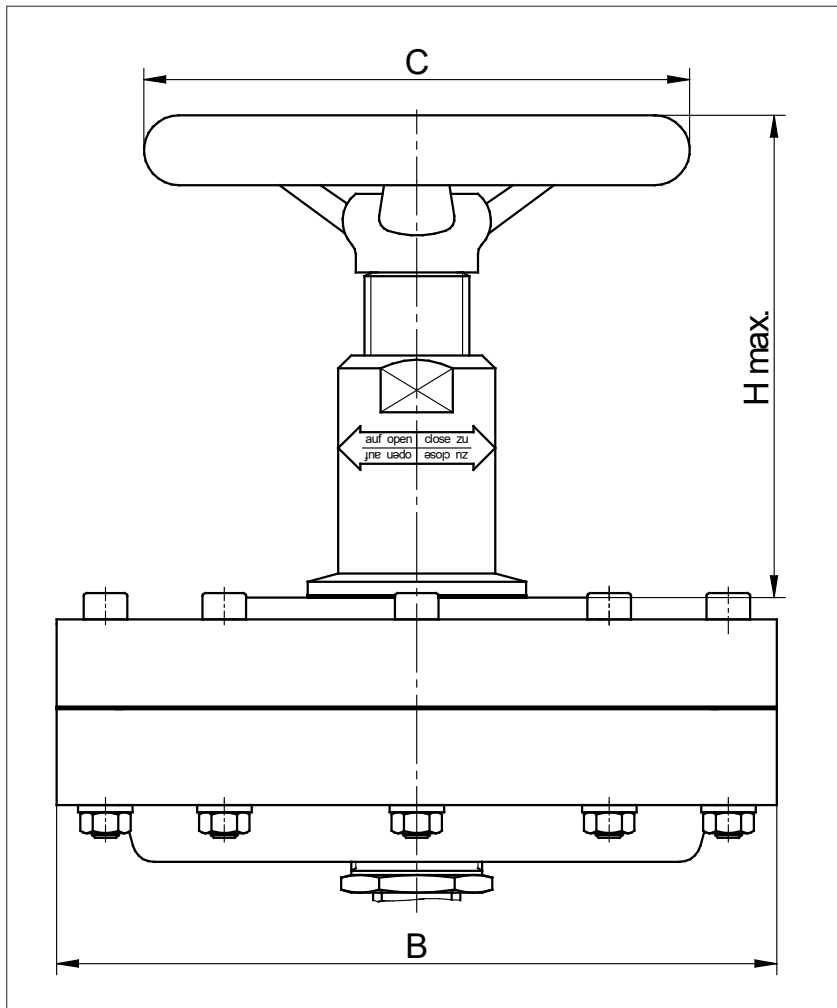
Using the set screw with packing you can limit the stroke

Actuator	G	D	Hmax.	I
50	G 1/8"	62	95	40,5
80	G 1/4"	98	95	61
125	G 1/4"	144	95	84

In order number system designated as 3

Additional Manual Operation

for Type 8020



Actuator	B	C	Hmax	No. of springs
125	165	125	115	up to 6
125	165	200	125	up to 8
250	222	200	120	-
In order number system designated as 1				

Text and pictures are not binding. We reserve the right, to alter the equipment.