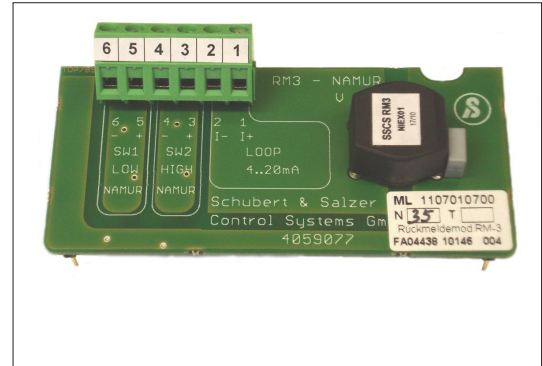


Feedback module RM-3

Supplementary module for digital positioner
Type 8049-2 wire from version V5
Type 8049-4 wire from version V5

- Feed back 4-20 mA
- 2 limit signal transmitters

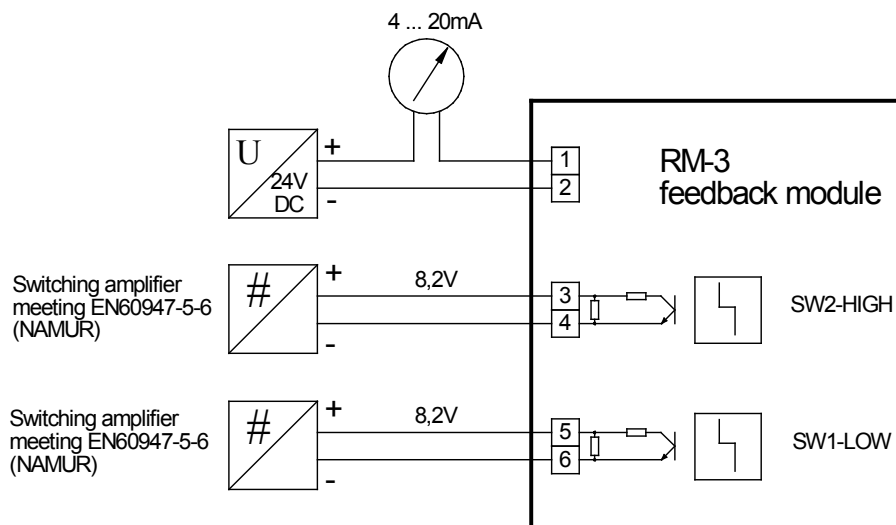
- Feedback on current valve position
- Feedback signal does not require calibration
- Feedback by 2 conductors
- 2 limit signal transmitters according Namur (EN 60947-5-6)
- Limit signal transmitters freely adjustable (0-100%) with software „DeviceConfig“
- Easy to retrofit



Technical Information

| | |
|------------------------------|-----------------------|
| Supply voltage | 24V DC ($\pm 10\%$) |
| Output signal | 4 - 20 mA |
| Max. adm. working resistance | < 700 Ohm |
| Temperature range | -4 . . . +167°F |
| Limit signal transmitters | 2 pieces |
| Switching range | adjustable 0-100% |
| Switching hysteresis | ca. 2.5% |

Electrical connection



Text and pictures are not binding. We reserve the right, to alter the equipment.