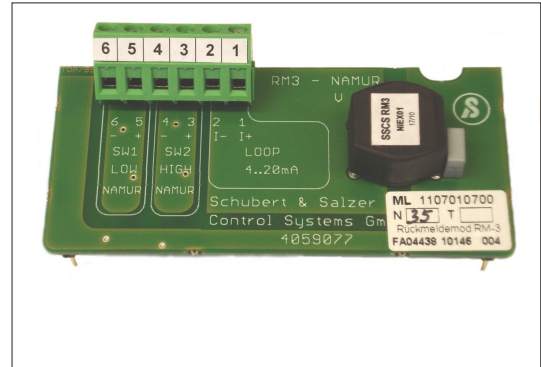


Supplementary module for digital positioner
Type 8049-2 wire from version V5
Type 8049-4 wire from version V5

- **Feed back 4-20 mA**
- **2 limit signal transmitters**

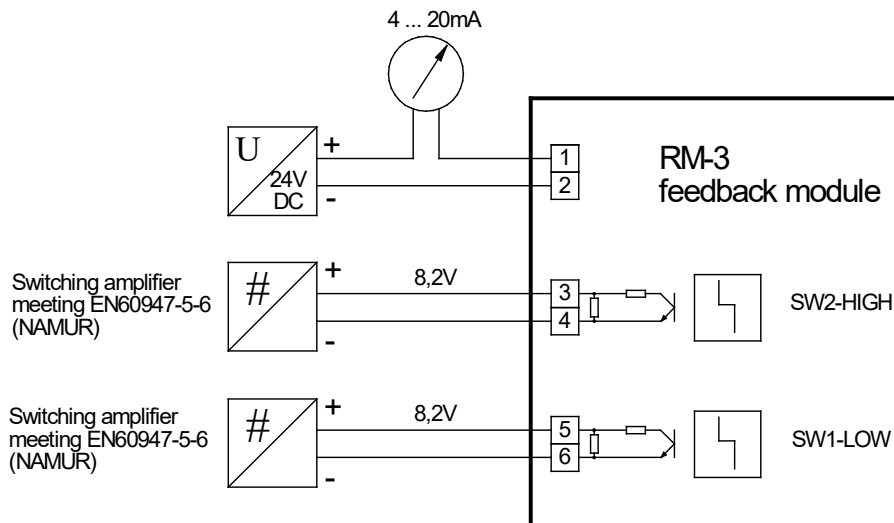
- Feedback on current valve position
- Feedback signal does not require calibration
- Feedback by 2 conductors
- 2 limit signal transmitters according Namur (EN 60947-5-6)
- Limit signal transmitters freely adjustable (0-100%) with software „DeviceConfig“
- Easy to retrofit



Technical Information

Supply voltage	24V DC ($\pm 10\%$)
Output signal	4 - 20 mA
Max. adm. working resistance	< 700 Ohm
Temperature range	-20 . . . +75°C
Limit signal transmitters	2 pieces (NAMUR)
Switching range	adjustable 0-100%
Switching hysteresis	ca. 2,5%

Electrical connection



Text and pictures are not binding. We reserve the right, to alter the equipment.