


Pneumatic-Electropneumatic Positioner 8047



Compact positioner for integral mounting on pneumatic control valves

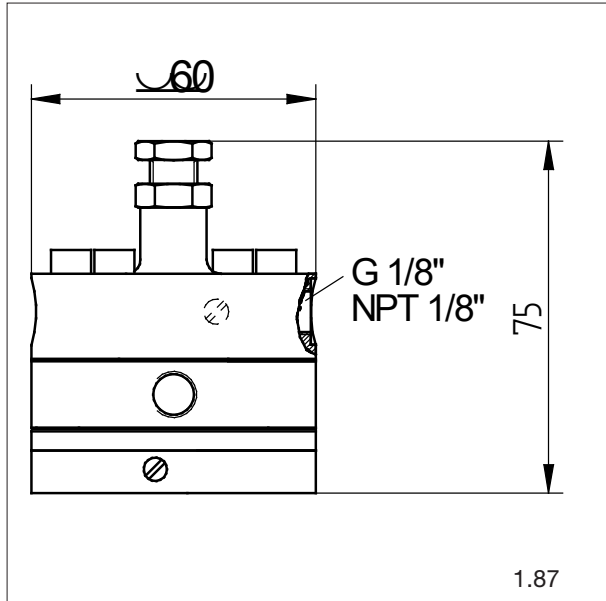
- By integrating the positioner into valve actuator, no moving parts (return stroke) are accessible from the outside
- Compact construction
- Also suitable for small strokes
- Visual position indicator possible between the positioner and valve actuator
- Optional inductive limit switches
- Also available in explosion proof version  II 2G Ex ib IIC T6 Gb



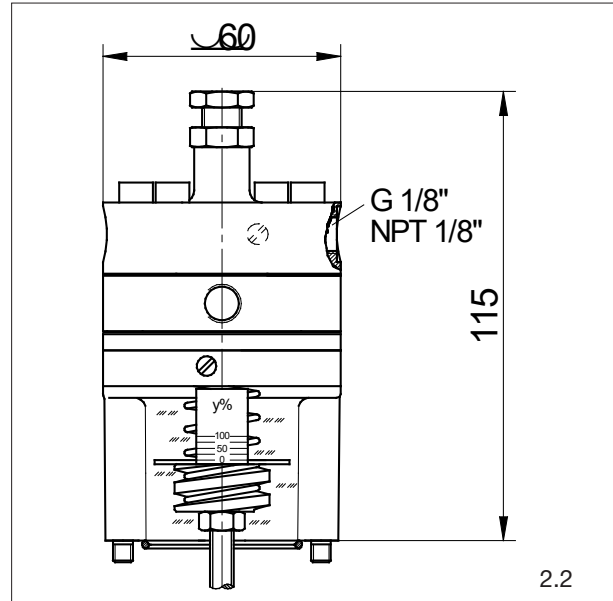
Technical Information

Input signal range	pneumatic: 3 - 15 psi electro-pneumatic: 0/4 -20mA
Stroke range	0.2 - 1 inches dep. on return spring
Pilot energy	45 - 90 psi
Hysteresis	< +1 %
Air consumption	14 - 21 scf/h (depending on output pressure)
ambient temperature	+5°F up to +140°F

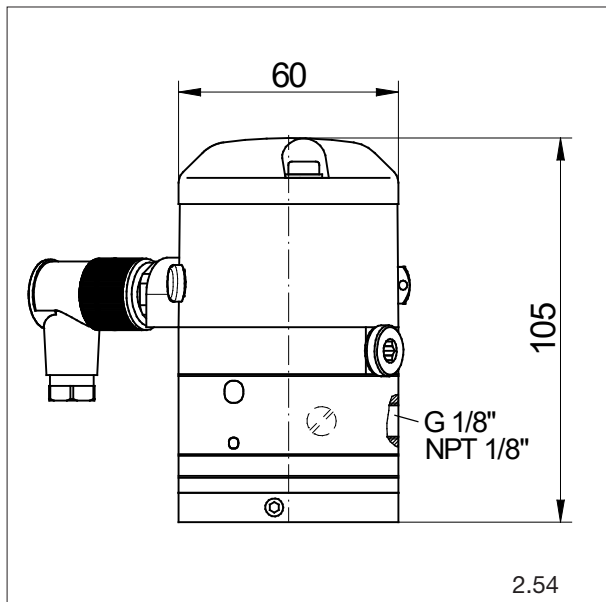
Dimensions and weights, types of construction



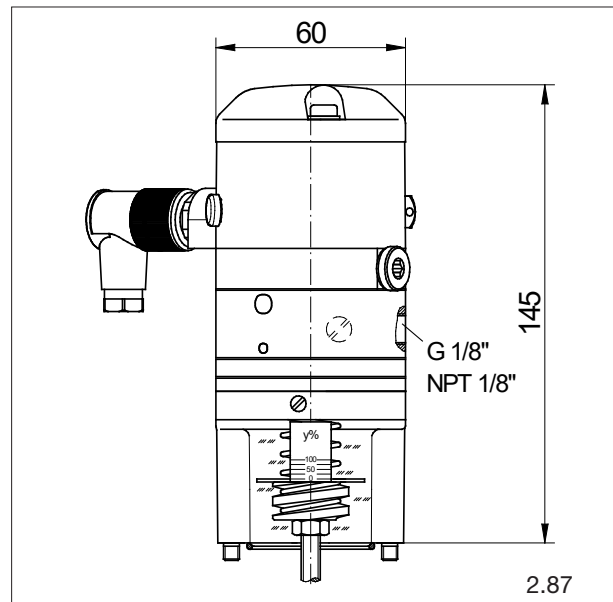
Pneumatic positioner



Pneumatic positioner
with position indicator



Electro-pneumatic positioner



Electro-pneumatic positioner
with position indicator