


Pneumatic electropneumatic Positioner 8047

Compact Positioner for mounting on pneumatic control valves.

- By integrating the positioner into valve actuator, no moving parts (return stroke) are accessible from the outside
- Compact construction
- Also suitable for small strokes
- Visual position indicator possible between the positioner and valve actuator
- Optional inductive limit switches
- Also available in explosionproof version  II 2 G EEx ib IIC T6

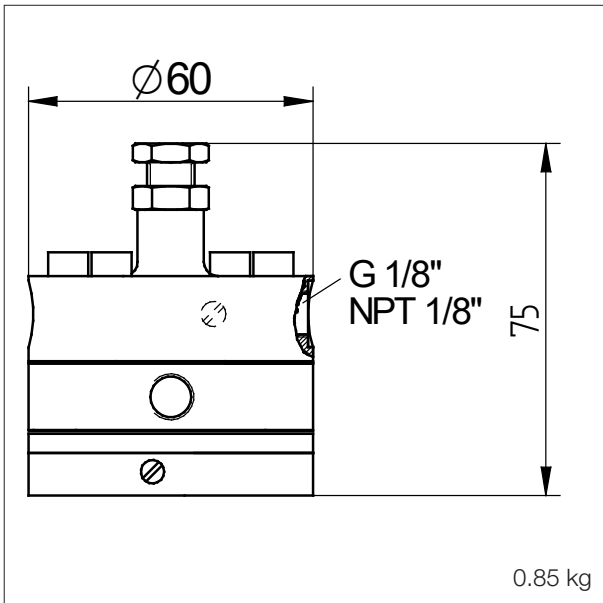


Technical Information

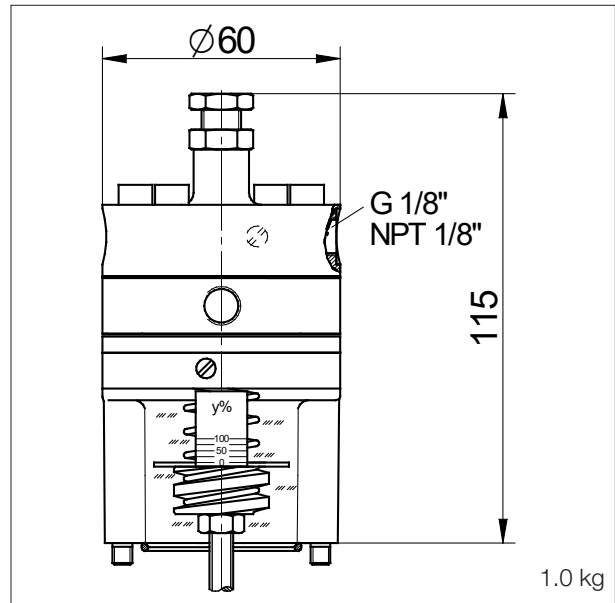
Input signal range	pneumatic: 0.2 - 1 bar electro-pneumatic: 0/4 -20 mA
Stroke range	5 - 22 mm dep. on return spring
Pilot energy	3 - 6 bar
Hysteresis	< ±1 %
Air consumption	400 - 600 NI/h (depending on output pressure)
Ambient temperature	-20°C up to +60°C

Pneumatic electropneumatic Positioner 8047

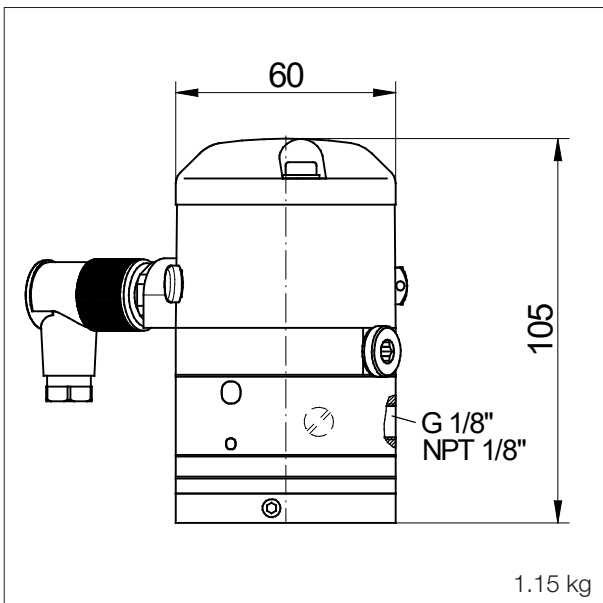
Dimensions and Weights, versions



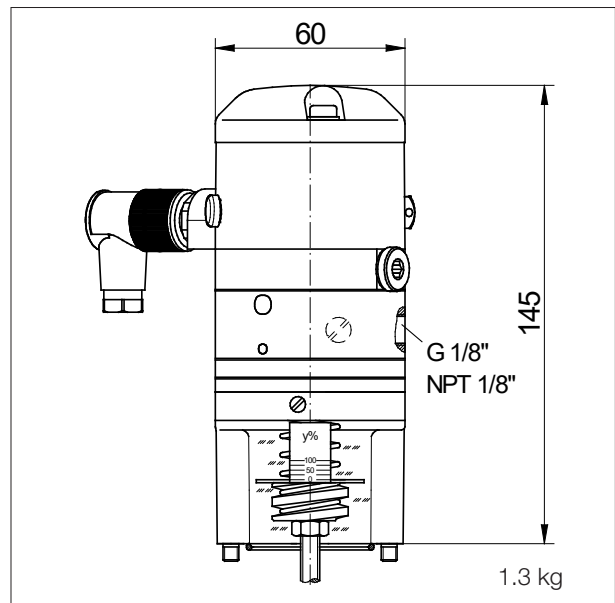
Pneumatic positioner



Pneumatic positioner
with position indicator



Electro-pneumatic positioner



Electro-pneumatic positioner
with position indicator