
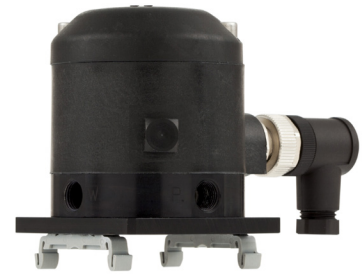


Transforming of electrical into pneumatical signal for

- For control valves with pneumatical positioner
- Compact design
- To install in switch cabinets or as field appliance
- For remote control of pneumatic valves in hazardous locations
- Also available in explosionproof versic  II 2G Ex ib IIC T6 Gb



Technical Information

Input	0 ... 20 mA 4 ... 20 mA
Air supply	60 ... 90 psi at output 3 ... 15 psi 75 ... 90 psi at output 7 ... 60 psi
Output	3 ... 15 psi (7 ... 60 psi)
Ambient temperature	+5°F up to +140°F
Mounting	Clamping device for DIN-rail or panel mount Direct valve mount
Protection class DIN 40050	IP54
Materials	Aluminium (eloxed, black)

Ordering Numbers

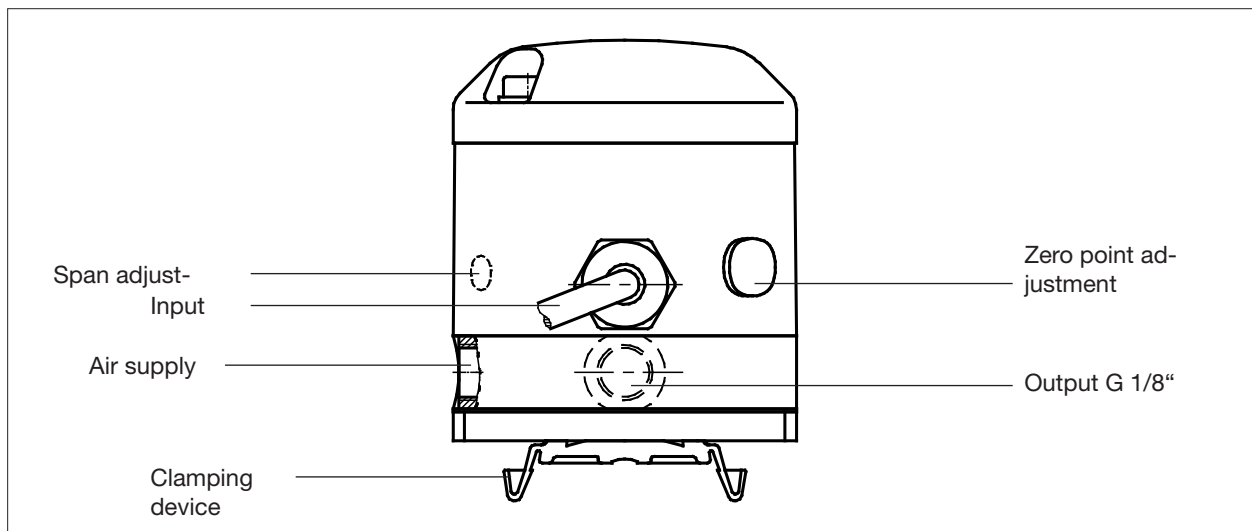
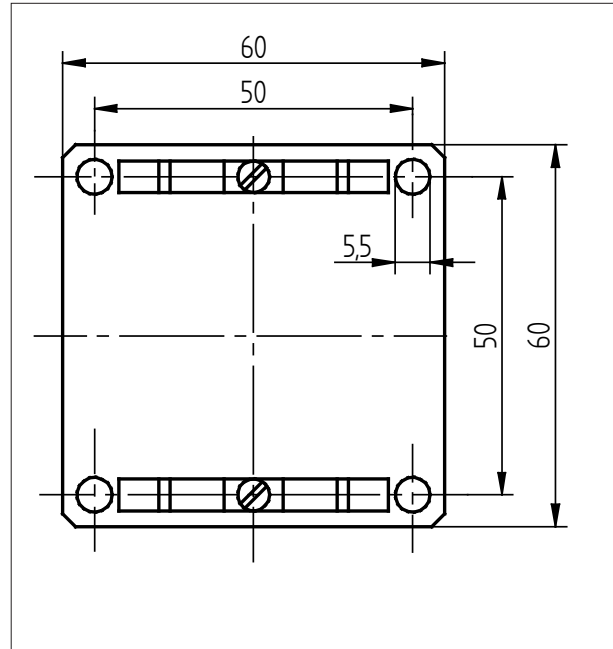
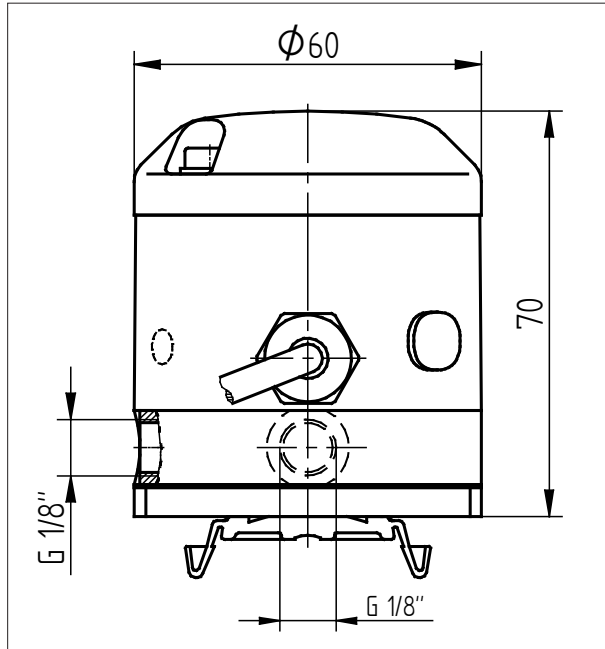
Standard

No.	Version
7 001 367	0 - 20 mA / 1 - 15 psi
7 001 233	0 - 20 mA / 3 - 15 psi
7 001 048	4 - 20 mA / 3 - 15 psi
7 001 232	0 - 20 mA / 7 - 60 psi
7 001 231	4 - 20 mA / 7 - 60 psi
7 001 998	4 - 20 mA / 4 - 29 psi

Version EEx

7 001 072 Eex	4 - 20 mA / 3 - 15 psi
7 001 366 Eex	4 - 20 mA / 7 - 58 psi

Dimensions



Text and pictures are not binding. We reserve the right, to alter the equipment.