


Transforming of electrical into pneumatical signal for valve

- For control valves with pneumatical positioner
- Compact design
- To install in switch cabinets or as field appliance
- For remote control of pneumatic valves in hazardous locations
- Also available in explosionproofversion  II 2G Ex ib IIC T6 Gb



Technical Information

Input	0 ... 20 mA 4 ... 20 mA
Air supply	4 - 6 bar at output 0.2 - 1 bar 5 - 6 bar at output 0.5 - 4 bar
Output	0.2 up to 1bar (0.5 up to 4 bar)
Ambient temperature	-15°C up to +60°C
Mounting	Clamping device for DIN-rail or panel mount Direct valve mount
Protection class DIN 40050	IP54
Materials	Aluminium (eloxed, black)

Ordering Numbers

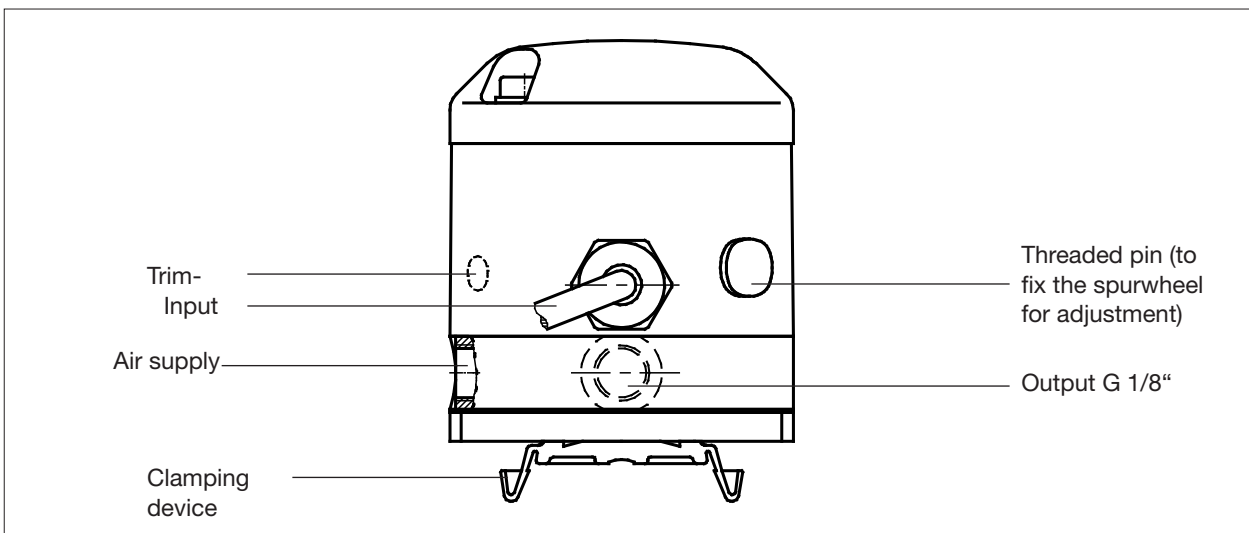
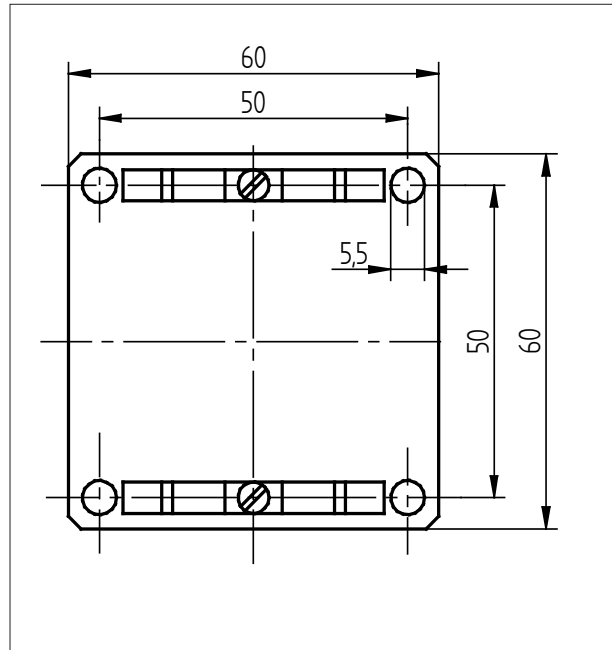
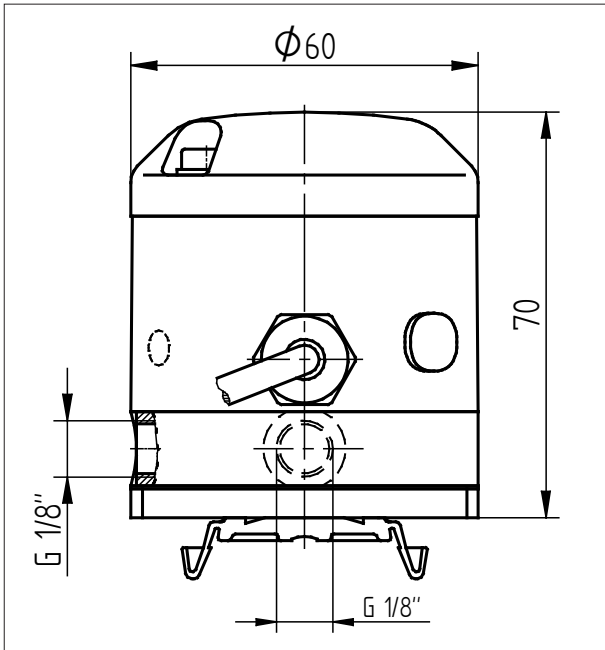
Standard

Ident-No.	I/p-Converter
4 041 045	0 - 20 mA / 0,05 - 1bar
4 001 560	0 - 20 mA / 0,2 - 1bar
4 007 365	4 - 20 mA / 0,2 - 1bar
4 001 915	0 - 20 mA / 0,5 - 4bar
4 001 916	4 - 20 mA / 0,5 - 4bar
4 042 153	4 - 20 mA / 0,3 - 2bar

Version EEx ib IIC T6

Ident-No.	I/p-Converter
4 040 346	4 - 20 mA / 0,2 - 1bar (ex)
4 042 919	4 - 20 mA / 0,5 - 4bar (ex)

Dimensions



Text and pictures are not binding. We reserve the right, to alter the equipment.