

# Sliding Gate Valve 8021

## GS 3 series - 1/2" up to 10"

**Pneumatic sliding gate valve optionally with integrated positioner for regulating or shutting off liquid and gaseous media for industrial applications**

- Space saving wafer type construction
- Lowest possible weight
- Quiet operation
- Fast response time
- Greatly reduced energy consumption rates due to short strokes and low actuating forces on the throttle element
- High Cv-values
- Meets the requirements of TA-Luft 2021



### Technical Information

Design	wafer-type design -for flanges acc. DIN EN 1092-1 Form B or ASME B16.5 RF - with threaded connection (only PN40 in stainless steel; 1/2" - 2")		
Nominal Sizes	1/2" - 10"		
Nominal pressure acc. EN 1033	580 psi (fits also to 145-365psi) 1450 psi 235 psi and 365 psi)	1/2" - 6"  1/2" - 3" 8" - 10"	
Nominal pressure acc. ANSI	ANSI 150 ANSI 300 ANSI 600	1/2" - 10" 1/2" - 6" 1/2" - 3"	
Nominal pressure acc. JIS for flanges with raised face	10K 20K	1/2" - 2" 1/2" - 1 1/2"	
Fluid Temperature	Versions from -76°F up to +662°F		
Ambient temperature*	digital positioner +14°F up to +167°F analog positioner +5°F up to +140°F		
Rangeability / Characteristic	analog positioner digital positioner		
	30 : 1 40 : 1 linear / 80 : 1 equal percentage		
Leakage	Disc pair Carbon-stainless steel	Disc pair SFC	Disc pair STN 2
% of Kvs IEC 60534-4 EN 12266-1	< 0,0001 IV-S1 E	< 0,0005 IV-S1 F	< 0,001 IV F
Specific leakage rate shaft and body sealing	ISO FE-BH-CC3-SSA0-t(-40°C/+350°C)-PN40-ISO 15848-1		
Marking ATEX non electric	II 2G Ex h IIC T6...T1 X Gb II 2D Ex h IIIC 85°C...530°C X Db		

\* Please consider the limitation of use of the positioner!

\*\* With DN15 with reduction of less than 25%, different leakage rates possible.  
Kvs-values see data sheet 8001.

### Fluid temperature

Rating	PN16	PN40	PN 100	ANSI 150	ANSI 300	ANSI 600
Body material cpl. stainless steel						
Tmin [°F]	-76	-76	-76	-20	-20	-20
Tmax [°F]	662	662	662	662	662	662
Body material carbon steel with stainless steel body cover						
Tmin [°F]	-76	-76	14	-4	-4	-4
Tmax [°F]	662	662	662	662	662	662
Body material cpl. Alloy C-276						
Tmin [°F]	-76	-76	-76	-20	-20	-20
Tmax [°F]	662	662	662	662	662	662

## Positioner

For technical information of our positioners please refer to the corresponding data sheets.

## Materials

### Stainless steel version

Valve body	stainless steel, CF8M			
Bodycover	stainless steel, 316L			
Valve stem	stainless steel 316Ti			
coupling ring	Stainless steel 1.4581			
Packing tube	Stainless steel CF8M			
Packing	PTFE carbon filled (spring SST 301)			
Body seal	Graphite with stainless foil			
Fixed disc	stainless steel coated		STN2-disc	STN3-disc
Sliding disc	special carbon material	SFC-disc (max. +572°F)	STN2-disc	STN3-disc

### carbon steel version

Valve body	carbon steel, WCB			
Bodycover	stainless steel, 316L			
Valve stem	stainless steel 316Ti			
coupling ring	Stainless steel 1.4581			
Packing tube	Stainless steel CF8M			
Packing	PTFE carbon filled (spring SST 301)			
Body seal	Graphite with stainless foil			
Fixed disc	stainless steel coated		STN2-disc	STN3-disc
Sliding disc	special carbon material	SFC-disc (max. +572°F)	STN2-disc	STN3-disc

### Version in Alloy C-276

Valve body	Alloy C-276, 2.4819			
Bodycover	Alloy C-276, 2.4819			
Valve stem	Alloy C-276, 2.4819			
coupling ring	Alloy C-276, 2.4819			
Packing tube	Alloy C-276, 2.4819			
Packing	PTFE carbon filled (spring Alloy C4, 2.4610)			
Body seal	Pure graphite			
Fixed disc	Alloy C-276, 2.4819		STN3-disc	
Sliding disc	special carbon material		STN3-disc	

### For all versions

Diaphragm casing	aluminium, KTL-coated or stainless steel			
Actuator springs	stainless steel			
Coupling	zinc die-cast or stainless steel			
Mounting parts	stainless steel			

# Sliding Gate Valve 8021

with integrated digital positioner, Type 8049  
(also on-off valves and valves with other side-mounted positioner)



**Admissible differential pressures**  
(For temperatures of up to 250°F with PN-rating  
up to 100°F with ANSI-rating)

For temperatures of 250°F (PN) or 100°F (ANSI) and above:  
**obey application limits!**

**Disc pair:**  
**Carbon - stainless steel coated /**  
**SFC - stainless steel coated /**  
**Carbon - Alloy C-276 coated**

Actuator Size	20 in <sup>2</sup>		40 in <sup>2</sup>			80 in <sup>2</sup>			120 in <sup>2</sup>		
Supply Pressure (psi)	65	80	44	58	83	44	65	74	22	51	58
Size	maximum pressure psi										
1/2" **	1480,5	1480,5	1480,5	1480,5	1480,5	-	-	-	-	-	-
3/4"	1480,5	1480,5	1480,5	1480,5	1480,5	-	-	-	-	-	-
1" **	1276 (1480)*	1276 (1480)*	1276 (1480)*	1276 (1480)*	1276 (1480)*	-	-	-	-	-	-
1 1/4"	1276	1480,5	1480,5	1480,5	1480,5	-	-	-	-	-	-
1 1/2" **	972	1204	1276 (1480)*	1276 (1480)*	1276 (1480)*	-	-	-	-	-	-
2" **	638	783	1088	1320	1436	1480,5	1480,5	1480,5	-	-	-
2 1/2"	537	653	914	1102	1160	1160	1160	1160	-	-	-
3" **	334	421	580	696	696	696	696	696	-	-	-
4"	218	232	363	450	479	479	479	479	290	479	479
5"	145	160	247	305	334	334	334	334	169	334	334
6"	102	116	189	218	232	232	232	232	145	232	232
8"	51	65	102	131	174	218	232	232	86	232	232
10"	39	49	67	81	108	138	152	174	52	174	174
Spring Configuration	Code 3 (Standard)	Code 4	Code 3 (Standard)	Code 4	Code 6	Code 6 (Standard)	Code 8	Code B	Code L	Standard	Code P

Standard

**Disc pair:**  
**STN 2 / STN 3**

Actuator size	20 in <sup>2</sup>		40 in <sup>2</sup>			80 in <sup>2</sup>			120 in <sup>2</sup>		
Supply Pressure (psi)	65	80	44	58	83	44	65	78	22	58	65
Size	maximum pressure psi										
1/2" **	1480	1480	1480,5	1480,5	1480,5	-	-	-	-	-	-
3/4"	1175	1480	1480,5	1480,5	1480,5	-	-	-	-	-	-
1" **	870	1088	1276 (1480)*	1276 (1480)*	1276 (1480)*	1276 (1480)*	1276 (1480)*	-	-	-	-
1 1/4"	653	812	1117	1349	1480,5	1480,5	1480,5	-	-	-	-
1 1/2"	450	551	769	928	1044	1044	1044	-	-	-	-
2" **	261	319	450	551	740	928	1117	1131	-	-	-
2 1/2"	218	261	377	450	609	769	899	914	-	-	-
3"	131	145	218	276	363	464	522	537	-	-	-
4"	65	87	131	160	232	276	334	435	112	435	479
5"	44	51	87	94	160	189	232	290	74	290	334
6"	29	36	58	65	116	131	160	218	55	210	232
8"	29	29	44	44	58	87	102	116	30	123	145
250	13,0	17,0	23,0	29,0	39,0	49,0	59,0	74,0	15	75	83
Spring Configuration	Code 3 (Standard)	Code 4	Code 3 (Standard)	Code 4	Code 6	Code 6 (Standard)	Code 8	Code B	Code L	Standard	Code P

Standard

## Upper limits of the pressure rating

	Pressure limits ANSI and DIN in psi	
	ANSI150	ANSI 300
P max. carbon steel	284	750
P max. stainless steel	276	719

# Sliding Gate Valve 8021



with integrated p/p or i/p-positioner, Typ 8047

## Admissible differential pressures

(For temperatures of up to 250°F with PN-rating up to 100°F with ANSI-rating)

For temperatures of 250°F (PN) or 100°F (ANSI) and above:  
obey application limits!

### Disc pair:

**Carbon - stainless steel coated /  
SFC - stainless steel coated /  
Carbon - Alloy C-276 coated**

Actuator size	20 in <sup>2</sup>		40 in <sup>2</sup>		80 in <sup>2</sup>	
Spring range (psi)	22 to 44	26 to 55	17 to 32	22 to 39	17 to 32	22 to 39
Supply Pressure (psi)	58	73	44	58	44	65
Size	maximum pressure psi					
1/2"	1480	1480	1480	1480	-	-
3/4"	1117	1392	1480	1480	-	-
1"	827	1030	1276 (1421)*	1276 (1480)*	1276 (1480)*	1276 (1480)*
1 1/4"	609	754	1059	1276	1480	1480
1 1/2"	421	522	711	870	1276 (1480)*	1276 (1480)*
2"	247	305	421	508	870	1044
2 1/2"	203	247	348	421	711	856
3"	116	145	203	247	421	508
4"	73	87	131	145	261	319
5"	44	58	87	102	174	203
6"	29	44	58	73	131	145
8"	22	26	36	44	73	87
10"	13	16	22	28	46	55
Spring Configuration	Code 3 (Standard)	Code 4	Code 3 (Standard)	Code 4	Code 3 (Standard)	Code 4

Standard

### Disc pair:

**STN 2 / STN 3**

Actuator Size	20 in <sup>2</sup>		40 in <sup>2</sup>		80 in <sup>2</sup>	
Spring Range (psi)	22 to 44	26 to 55	17 to 32	22 to 39	17 to 32	22 to 39
Supply Pressure (psi)	58	73	44	58	44	65
Size	maximum pressure psi					
1/2" **	798	986	1378	1480	1480	1480
3/4"	537	667	928	1131	1480	1480
1" **	363	450	624	769	1276 (1290)*	1276 (1480)*
1 1/4"	247	319	435	522	899	1088
1 1/2" **	160	203	276	348	580	696
2" **	87	116	160	189	334	392
2 1/2"	73	87	131	160	261	319
3" **	44	51	73	87	160	189
4"	22	29	44	58	87	116
5"	-	22	29	36	58	73
6"	-	15	22	26	44	51
8"	-	-	13	16	26	32
250	-	-	7,0	9,0	16,0	19,0
Spring Configuration	Code 3 (Standard)	Code 4	Code 3 (Standard)	Code 4	Code 6 (Standard)	Code 8

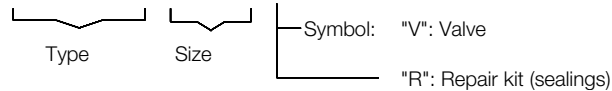
Standard

## Upper limits of the pressure rating

	Pressure limits ANSI and DIN in psi	
	ANSI150	ANSI 300
P max. carbon steel	284	750
P max. stainless steel	276	719

## Ordering Number System

1 2 3 4 5 6 7 8 9 10 11 12 13 14 15 16  
 8 0 2 1 / V G M Z S



1 - 5 : Please quote all 5 sections.  
 6 - 12 : Quote only if required.

1. Function	2. Body design	3. Body material	4. Safety function	5. Actuator
G sliding gate valve with pneumatic actuator (type 8021)	E GS3-flangeless design acc. ANSI 150 F GS3-flangeless design acc. ANSI 300 K GS3-flangeless design acc. ANSI 600 G GS3-flangeless design acc. DIN PN10-PN40 H GS3-flangeless design acc. DIN PN100 R GS3 version with inner thread acc. ISO 228-1 (G-thread), pressure rating PN40 U GS3 version with inner NPT thread acc. ANSI B 1.20.1, pressure rating PN40	0 carbon steel ASTM A216 WCB 1 stainless steel 1.4408 CF8M 5 Alloy C276, 2.4819	0 spring closes 1 spring opens	6 diaphragm actuator 20 in <sup>2</sup> (NPT) 7 diaphragm actuator 40 in <sup>2</sup> (NPT) 8 diaphragm actuator 80 in <sup>2</sup> (NPT)
6. Special version	7. Springs	8. Stem sealing	9. Moved disc	10. Fixed disc
M To state, if further sections are quoted A groove and groove acc. DIN EN1092-1 C groove and tongue acc. DIN EN1092-1 E 2x lowered face acc. DIN EN1092-1 H lowered and raised face acc. DIN EN1092-1	- Standard 4 8 springs 8 16 springs	- PTFE-packing, self adjusting (standard) 1 additional stainless steel bellows 1.4571 (max. 33 bar)	- Carbon material 9 STN2 S SFC	- stainless steel 1.4571 1 STN2 (only in combination with pos. „9“ STN2)
11. Kvs-Values	12. Flow characteristic	13. Accessories	14. Positioners	15. Signalling equipment
- 100% (Stand.) A red. up to 63 % 1 red. up to 40 % B red. up to 25 % 2 red. up to 16 % 6 red. up to 20 % 7 red. up to 12 % 8 red. up to 2 % 9 red. up to 0,4%	- linear 1 equal-%	Z To state if further sections are quoted	- without 1 p/p positioner Type 8047 3 i/p positioner Type 8047 8 i/p positioner with plug connec. M12x1 C dig. positioner, type 8049, 4-wire R dig. positioner, type 8049, 2-wire W dig. positioner, type 8049 ExPro, ATEX, IECEx K dig. positioner, type 8049 ExPro-FM base plate in stainless steel; IS Cl. I Div. 1, Cl. I Zone 0 AEx Ia Y dig. positioner, type 8049 ExPro-FM base plate in stainless steel; NI Cl. I Div. 2 N dig. positioner, type 8049 IO-Link version	- without 0 2 limit switches M12x1 DC Y Feedback module RM4 for positioner type 8049 with 2 integrated limit switches acc. NAMUR (EN60947-5-6) P Feedback module RM5 for positioner type 8049 with 2 integrated limit switches
16. Further versions	S Other special versions have to be quoted in letters!			

Ordering Example:

8021/080VGE106M-----Z8  
 Sliding Gate Valve Type 8021 with pneumatic actuator, 3", flangeless design design acc. ANSI 150, stainless steel 316 Ti, spring to close, actuator diaphragm 20 in<sup>2</sup>, standard springs, PTFE-V-shaped sealing, function unit carbon-stainless steel 316 Ti coated, flow characteristic linear, i/p-positioner

## Application limitations for GS3 valves in stainless steel

These pressure must not be exceeded for GS-valves from the GS3-series made of stainless steel, even though the actuator power might allow it.

### ANSI150

Size	Sliding unit: carbon/SFC - stainless steel, coated								Sliding unit: STN2							
	max. admissible pressures for GS3-valves in stainless steel								max. admissible pressures for GS3-valves in stainless steel							
	100°F	120°F	210°F	300°F	390°F	480°F	570°F	660°F	100°F	120°F	210°F	300°F	390°F	480°F	570°F	660°F
1/2" - 5"	275	265	235	215	200	175	150	120	275	265	235	215	200	175	150	120
6"	230	230	230	215	200	175	150	120	235	235	235	215	200	170	140	120
8"	230	230	230	215	200	175	150	120	150	145	120	110	100	80	65	55
10"	150	150	150	145	135	120	105	100	85	85	85	80	75	60	50	40

Limitation for SFC-sliding discs: 570°F

### ANSI300

Size	Sliding unit: carbon/SFC - stainless steel, coated								Sliding unit: STN2							
	max. admissible pressures for GS3-valves in stainless steel								max. admissible pressures for GS3-valves in stainless steel							
	100°F	120°F	210°F	300°F	390°F	480°F	570°F	660°F	100°F	120°F	210°F	300°F	390°F	480°F	570°F	660°F
1/2" - 2 1/2"	720	695	610	560	520	485	460	440	720	695	610	560	520	485	460	440
3"	695	695	610	560	520	485	460	440	530	530	530	505	480	390	320	275
4"	480	480	480	480	480	480	460	440	480	480	480	460	435	355	290	250
5"	335	335	335	335	335	335	335	335	320	320	320	305	290	235	190	165
6"	230	230	230	230	230	230	230	230	230	230	230	225	210	170	140	120
8"	230	230	230	145	135	120	105	100	230	230	220	200	180	155	140	130

Limitation for SFC-sliding discs: 570°F

### PN40

Size	Sliding unit: carbon/SFC - stainless steel, coated							Paarung: STN 2					
	maximum pressures for GS3-valves in stainless steel							maximum pressures for GS3-valves in stainless steel					
	210°F	300°F	390°F	480°F	570°F	660°F	210°F	300°F	390°F	480°F	570°F	660°F	
1/2"-1 1/4"	580	580	580	580	580	580	580	580	580	580	580	580	
1 1/2"	580	580	580	580	580	580	580	580	580	580	580	535	
2"	580	580	580	580	580	580	580	580	580	580	580	580	
2 1/2"	580	580	580	580	580	580	580	580	580	580	535	465	
3"	580	580	580	580	580	580	520	495	480	375	320	275	
4"	480	480	480	480	480	480	465	450	435	350	290	245	
5"	335	335	335	335	335	335	305	305	275	230	190	160	
6"	230	230	230	230	230	230	220	220	205	160	130	115	
8" (only PN16)	230	230	220	190	175	160	120	110	100	80	65	55	
10" (only PN16)	145	130	130	115	100	85	85	80	75	60	50	40	

Limitation for SFC-sliding discs: 570°F

### PN100

Size	Sliding unit: carbon/SFC - stainless steel, coated							Paarung: STN 2					
	maximum pressures for GS3-valves in stainless steel							maximum pressures for GS3-valves in stainless steel					
	210°F	300°F	390°F	480°F	570°F	660°F	210°F	300°F	390°F	480°F	570°F	660°F	
1/2"	1450	1450	1450	1350	1220	1145	1450	1450	1450	1350	1220	1145	
3/4"	1450	1450	1290	1175	1060	985	1450	1450	1290	1175	1060	985	
1"	1275	1175	1015	915	825	785	1275	1175	1015	915	825	785	
1 1/4"	1450	1350	1160	1060	945	900	1450	1350	1160	1060	945	870	
1 1/2"	1275	1175	1015	915	825	785	1045	1000	945	770	625	535	
2"	1450	1450	1450	1450	1450	1365	1115	1060	1015	810	665	580	
2 1/2"	1160	1160	1160	1145	1030	970	900	855	810	655	535	465	
3"	695	695	695	695	695	640	520	495	480	375	320	275	

Limitation for SFC-sliding discs: 570°F

## Application limitations for GS3 valves in carbon steel

These pressure must not be exceeded for GS-valves from the GS3-series made of carbon steel, even though the actuator power might allow it.

### ANSI150

Size	Sliding unit: carbon/SFC - stainless steel, coated								Sliding unit: STN2							
	max. admissible pressures for GS3-valves in carbon steel								max. admissible pressures for GS3-valves in carbon steel							
	100°F	120°F	210°F	300°F	390°F	480°F	570°F	660°F	100°F	120°F	210°F	300°F	390°F	480°F	570°F	660°F
1/2"-5"	285	280	255	230	200	175	150	120	285	280	255	230	200	175	150	120
6"	230	230	230	230	200	175	150	120	235	235	235	225	200	170	140	115
8"	230	230	230	230	200	175	150	120	150	145	120	110	100	80	65	55
10"	150	150	150	145	135	120	105	87	85	85	85	80	75	60	50	40

Limitation for SFC-sliding discs: 570°F

### ANSI300

Size	Sliding unit: carbon/SFC - stainless steel, coated								Sliding unit: STN2							
	max. admissible pressures for GS3-valves in carbon steel								max. admissible pressures for GS3-valves in carbon steel							
	100°F	120°F	210°F	300°F	390°F	480°F	570°F	660°F	100°F	120°F	210°F	300°F	390°F	480°F	570°F	660°F
1/2"-2"	740	725	675	655	635	610	565	535	740	725	675	655	635	610	565	535
2 1/2"	740	725	675	655	635	610	565	535	605	605	605	575	545	485	550	470
3"	695	695	675	655	635	610	565	535	530	530	530	505	480	390	319	275
4"	480	480	480	480	480	480	475	475	480	480	480	460	435	355	290	245
5"	335	335	335	335	335	335	330	330	320	320	320	305	290	235	191	155
6"	230	230	230	230	230	230	230	230	230	230	230	225	210	170	141	115
8"	230	230	220	200	180	155	140	130	150	145	120	110	100	65	65	55

Limitation for SFC-sliding discs: 570°F

### ANSI600

Size	Sliding unit: carbon/SFC - stainless steel, coated								Sliding unit: STN2							
	max. admissible pressures for GS3-valves in carbon steel								max. admissible pressures for GS3-valves in carbon steel							
	100°F	120°F	210°F	300°F	390°F	480°F	570°F	660°F	100°F	120°F	210°F	300°F	390°F	480°F	570°F	660°F
1/2"-1"	1480	1455	1350	1310	1270	1215	1155	1085	1480	1455	1350	1310	1270	1215	1155	1085
1 1/4"	1480	1455	1350	1310	1270	1215	1155	1085	1480	1455	1350	1310	1270	1215	1010	870
1 1/2"	1450	1450	1350	1310	1270	1215	1155	1085	1050	1050	1050	1000	950	770	630	535
2"	1450	1450	1350	1310	1270	1215	1155	1085	1125	1125	1125	1070	1020	825	675	580
2 1/2"	1160	1160	1160	1160	1160	1160	1155	1085	905	905	905	865	820	665	545	460
3"	695	695	695	695	695	695	695	635	530	530	530	535	480	390	320	275

Limitation for SFC-sliding discs: 570°F

### PN40

Size	Sliding unit: carbon/SFC - stainless steel, coated							Sliding unit: STN2						
	max. admissible pressures for GS3-valves in carbon steel							max. admissible pressures for GS3-valves in carbon steel						
	210°F	300°F	390°F	480°F	570°F	660°F	210°F	300°F	390°F	480°F	570°F	660°F		
1/2" - 2"	580	580	580	580	580	580	580	580	580	580	580	580		
2 1/2"	580	580	580	580	580	580	580	580	580	580	535	460		
3"	580	580	580	580	580	580	520	495	480	375	320	275		
4"	480	480	480	480	480	475	480	450	435	350	290	245		
5"	335	335	335	335	335	330	320	305	275	230	190	155		
6"	230	230	230	230	230	230	230	220	205	160	130	115		
8" (max 365 psi)	230	230	220	190	175	155	120	110	100	80	65	55		
10" (max 365 psi)	145	130	130	115	100	87	85	80	75	60	50	40		

Limitation for SFC-sliding discs: 570°F

### PN100

Size	Sliding unit: carbon/SFC - stainless steel, coated						Sliding unit: STN2						
	max. admissible pressures for GS3-valves in carbon steel						max. admissible pressures for GS3-valves in carbon steel						
	210°F	300°F	390°F	480°F	570°F	660°F	210°F	300°F	390°F	480°F	570°F	660°F	
1/2" - 3/4"	1450	1450	1450	1450	1450	1450	1450	1450	1450	1450	1450	1450	
1"	1450	1450	1450	1450	1450	1365	1260	1450	1450	1450	1450	1365	1260
1 1/4"	1450	1450	1450	1450	1450	1435	1450	1450	1450	1220	1000	870	
1 1/2"	1450	1450	1450	1450	1450	1365	1260	1045	1000	945	770	625	535
2"	1450	1450	1450	1450	1450	1360	1115	1060	1015	810	665	580	
2 1/2"	1160	1160	1160	1160	1160	1100	900	855	810	655	535	460	
3"	695	695	695	695	695	635	520	495	480	375	320	275	

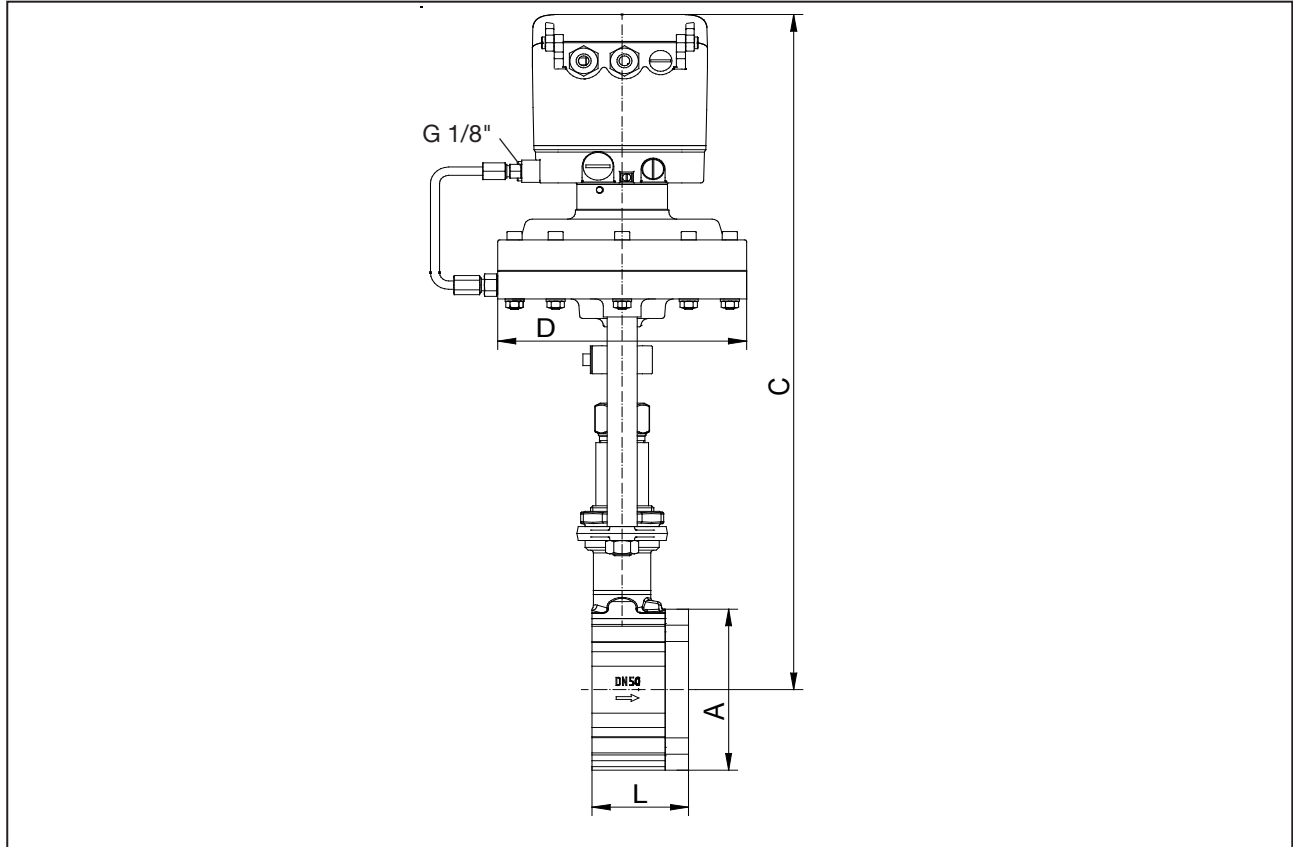
Limitation for SFC-sliding discs: 570°F

# Sliding Gate Valve 8021



with integrated positioner Type 8049

## Dimensions and Weights wafer-type construction



Size	Ø A	C*	Ø D for actuator				L	Stroke	Weight (lbs) for actuator			
			20 in <sup>2</sup>	40 in <sup>2</sup>	80 in <sup>2</sup>	120 in <sup>2</sup>			20 in <sup>2</sup>	40 in <sup>2</sup>	80 in <sup>2</sup>	120 in <sup>2</sup>
1/2"	2.52	18.11	6.5	8.74	8.74	-	2.2	0.24	16.5	21.3	29.5	-
3/4"	2.83	18.31	6.5	8.74	8.74	-	2.2	0.24	17	21.8	30	-
1"	3.23	18.5	6.5	8.74	8.74	-	2.2	0.24	17.9	22.7	30.9	-
1 1/4"	3.5	18.7	6.5	8.74	8.74	-	2.2	0.24	18.7	23.5	31.7	-
1 1/2"	3.9	18.9	6.5	8.74	8.74	-	2.2	0.24	19.6	24.5	32.6	-
2"	4.57	19.29	6.5	8.74	8.74	-	2.52	0.31	23.1	28	36.1	-
2 1/2"	5.43	19.69	6.5	8.74	8.74	-	2.68	0.31	27.1	32	40.1	-
3"	6.02	20.08	6.5	8.74	8.74	-	2.76	0.31	29.6	34.4	42.5	-
4"	7.24	20.47	6.5	8.74	8.74	9.02	2.95	0.33	37.1	42	50.1	56.9
5"	8.35	21.06	6.5	8.74	8.74	9.02	3.15	0.33	46.5	51.3	59.5	66.1
6"	9.53	21.65	6.5	8.74	8.74	9.02	3.15	0.33	54.6	59.4	67.6	74.3
8"	11.89	22.83	6.5	8.74	8.74	9.02	3.66	0.33	91.7	96.6	104.7	111.6
10"	14.17	23.82	6.5	8.74	8.74	9.02	3.78	0.33	103.2	108	116.2	123

\* for actuator 80 in<sup>2</sup> + 1,9 „  
for actuator 120 in<sup>2</sup> + 4,8“

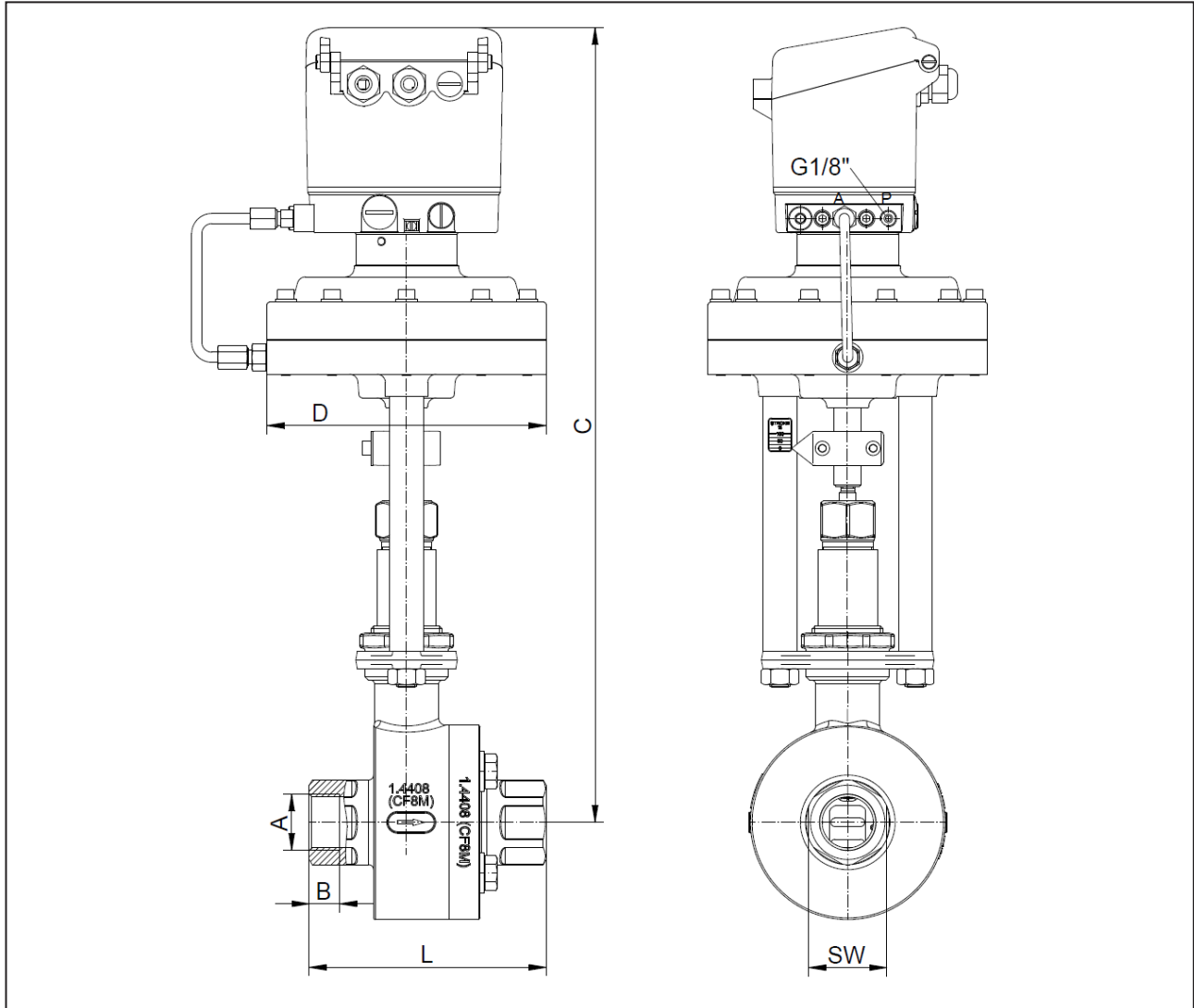
Dimensions in inch



# Sliding Gate Valve 8021

with integrated positioner Type 8049

## Dimensions and Weights with threaded connection



Size	A (G/NPT)	B		C	øD for actuator		L	SW	Stroke	Weight (kg) for actuator	
		G	NPT		D125	D250				D125	D250
1/2"	1/2"	0,6	0,54	18.11	6,5	8,74	5	1,2	0,25	21,6	26,5
3/4"	3/4"	0,6	0,56	18.31	6,5	8,74	5	1,5	0,25	23,6	28,4
1"	1"	0,7	0,66	18.5	6,5	8,74	5,5	1,8	0,25	29,3	34,2
1 1/4"	1 1/4"	0,7	0,68	18.7	6,5	8,74	5,5	2,2	0,25	31,5	36,4
1 1/2"	1 1/2"	0,7	0,68	18.9	6,5	8,74	6	2,5	0,25	34,4	39,2
2"	2"	0,7	0,7	19.29	6,5	8,74	6	2,9	0,3	40,3	45,2

Dimensions in inch

# Sliding Gate Valve 8021



## Cvs-values

Ordering code	-	A	1	B	6	2	7	C	3	4	8	5	9	
Size	Charact.	100 %	63 %	40 %	25 %	20%	16 %	12 %	10 %	6,3 %	2,5 %	2 %	1 %	0,4%
1/2"	(mod.) linear	4.6	3	2	1.6	-	0.82	0.57	0.51	0.3	0.16	0.09	0.05	0.021
	eq. perc.	2	-	1.3	-	0.4	-	-	-	0.12	-	-	-	-
3/4"	(mod.) lin.	7.4	-	-	-	-	1.16	-	-	-	-	0.15	-	-
	eq. perc.	3.5	-	1.7	-	-	-	-	-	-	-	-	-	-
1"	(mod.) linear	13	7.4	4.6	-	-	1.9	-	1.08	0.72	0.3	-	0.16	0.05
	eq. perc.	5.8	-	2.8	-	1.3	-	-	-	0.41	-	-	-	-
1 1/4"	(mod.) linear	19	12	-	-	-	-	-	-	-	-	-	-	-
	eq. perc.	9.3	5.45	-	-	-	-	-	-	-	-	-	-	-
1"	(mod.) lin.	30	19	13	8.1	-	-	-	-	-	-	-	-	-
	eq. perc.	13	9.9	-	3.2	-	-	-	-	-	-	-	-	-
2"	(mod.) linear	52	32	23	14	12	-	-	-	-	-	-	-	-
	eq. perc.	22	14	-	-	-	-	3.5	-	-	-	-	-	-
2 1/2"	(mod.) linear	60	41	-	17	-	-	-	-	-	-	-	-	-
	eq. perc.	35	-	-	9.3	-	-	-	-	-	-	-	-	-
3"	(mod.) linear	107	67	46	-	-	-	-	-	-	-	-	-	-
	eq.perc.	56	41	-	-	-	-	-	-	-	-	-	-	-
4"	(mod.) linear	179	110	72	-	-	-	-	-	-	-	-	-	-
	eq.perc.	89	56	-	-	-	-	-	-	-	-	-	-	-
5"	(mod.) linear	275	-	110	-	-	-	-	-	-	-	-	-	-
	eq.perc.	135	-	-	-	-	-	-	-	-	-	-	-	-
6"	(mod.) linear	392	246	-	-	-	-	-	-	-	-	-	-	-
	eq.perc.	171	104	-	-	-	-	-	-	-	-	-	-	-
8"	(mod.) linear	650	408	-	-	-	-	-	-	-	-	-	-	-
	eq.perc.	329	-	-	-	-	-	-	-	-	-	-	-	-
10"	(mod.) linear	1056	667	-	-	-	-	-	-	-	-	-	-	-
	eq.perc.	-	-	-	-	-	-	-	-	-	-	-	-	-