

Angle Seat Motor Valve with Flanges, compact 7231

1/2" up to 3"



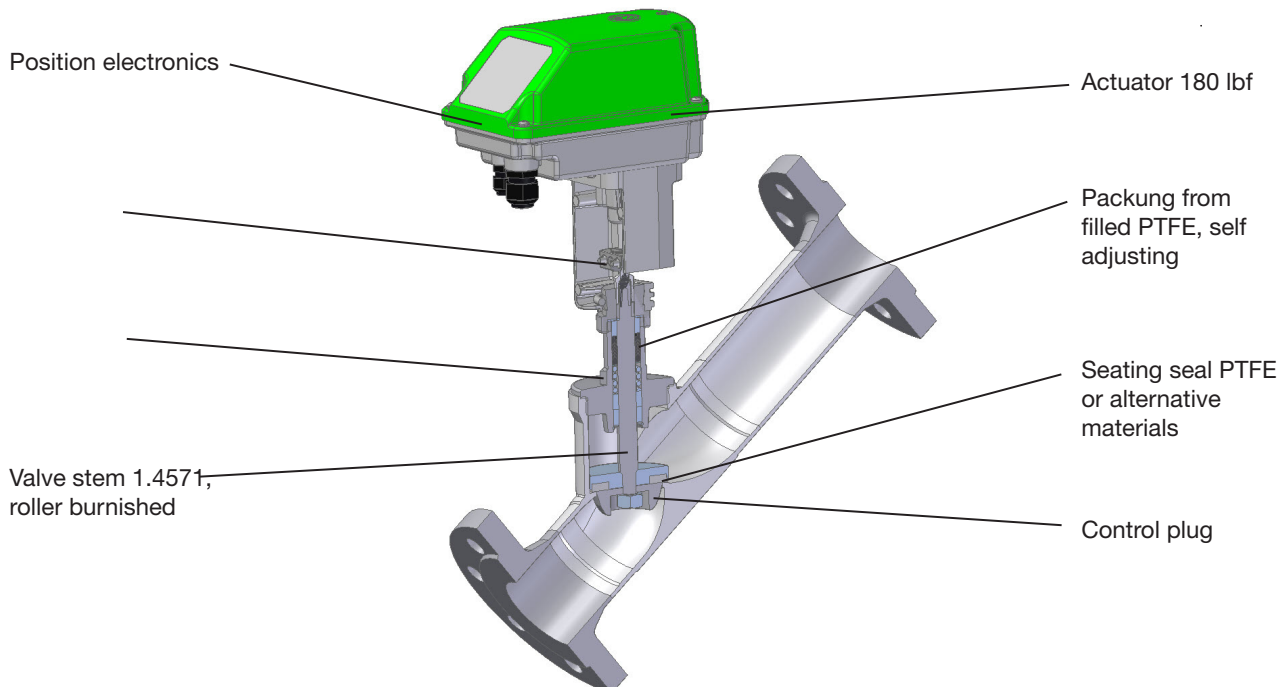
Motor valve for on/off- and modulating operation for neutral and aggressive media.

- Compact design
- Self calibration
- Unaffected by lightly contaminated media
- For operating temperatures from -22 °F up to +392 °F
- Working pressure up to 580 psi
- Versatile actuator options
- Actuators with control function also available with safety position



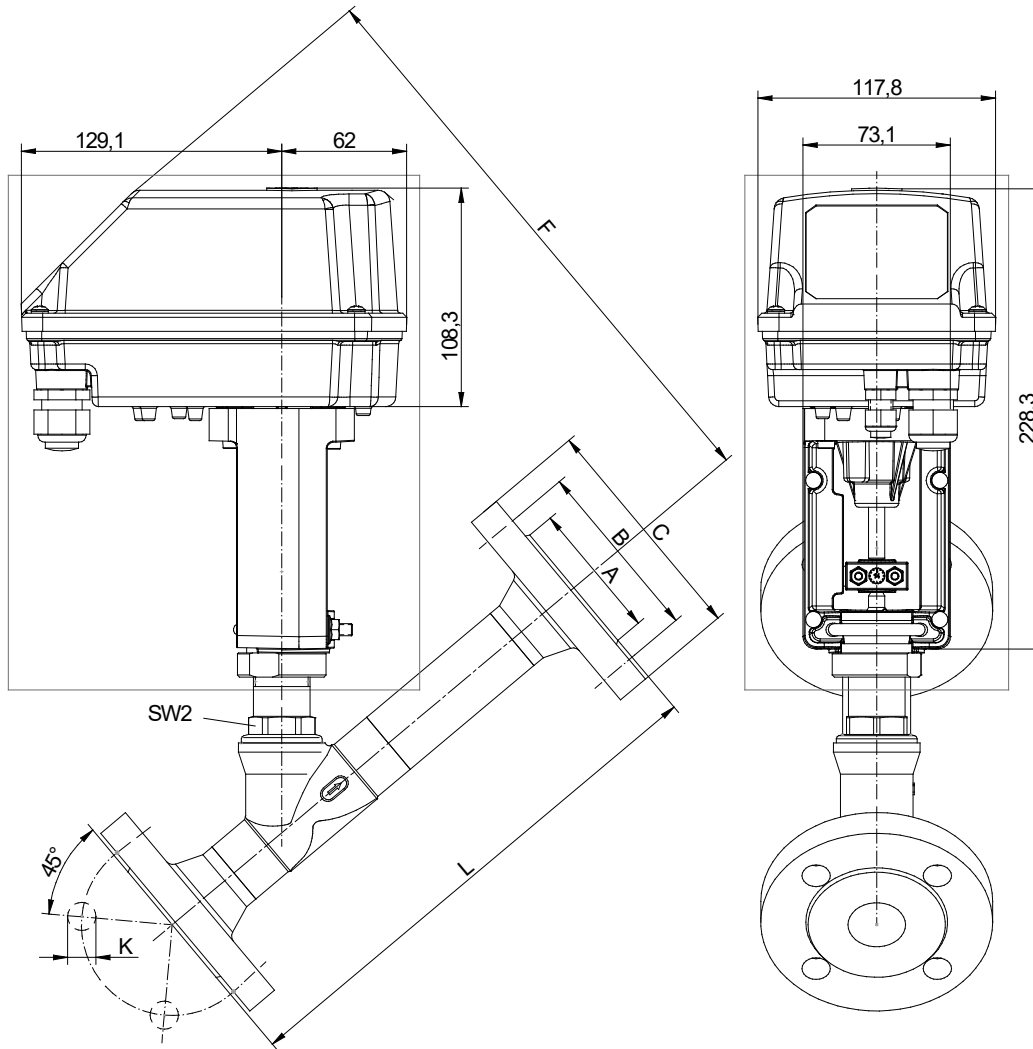
Technical Information Valve

body material	Stainless steel 1.4408
Nominal size	1/2" up to 3"
Connections	ANSI #150, ANSI #300
Nominal pressure	PN 40 / ANSI #150 / ANSI #300
Media temperature	-22 °F up to +392 °F
Viscosity	max. 600 mm ² /s (600 cSt)
Vacuum	maximum 0.0295 mercury (Hg)
Operating pressure packing underneath	max. 175 psi
Body dimension	L acc. DIN EN 558-92 (old: DIN 3202-F3)



Angle Seat Motor Valve with Flanges compact 7231

Dimensions and Weights for CA-actuators



DN	PN40					ANSI150					L	F	SW2	F	SW2
	A	B	C	K	N number of bores	A	B	C	K	N number of bores				pressure balanced	
1/2"	1.77	2.56	3.74	0.55	4	1.38	2.38	3.5	0.62	4	9.06	11.14	1.18	-	-
3/4"	2.28	2.95	4.13	0.55	4	1.69	2.75	3.88	0.62	4	10.24	11.3	1.18	-	-
1"	2.68	3.35	4.53	0.55	4	2	3.12	4.25	0.62	4	10.24	11.46	1.18	-	-
1 1/4"	3.07	3.94	5.51	0.71	4	2.5	3.5	4.62	0.62	4	11.81	12.05	1.18	12.76	1.61
1 1/2"	3.46	4.33	5.91	0.71	4	2.88	3.88	5	0.62	4	11.81	12.24	1.18	13.07	1.81
2"	4.02	4.92	6.5	0.71	4	3.62	4.75	6	0.75	4	13.78	12.52	1.26	13.46	2.05
2 1/2"	4.8	5.71	7.28	0.71	8	4.23	5.49	7	0.75	4	15.75	13.39	1.61	14.13	1.42
3"	5.43	6.3	7.87	0.71	8	5	6	7.5	0.75	4	17.72	15.28	1.81	15.28	1.81

dimensions in inch