

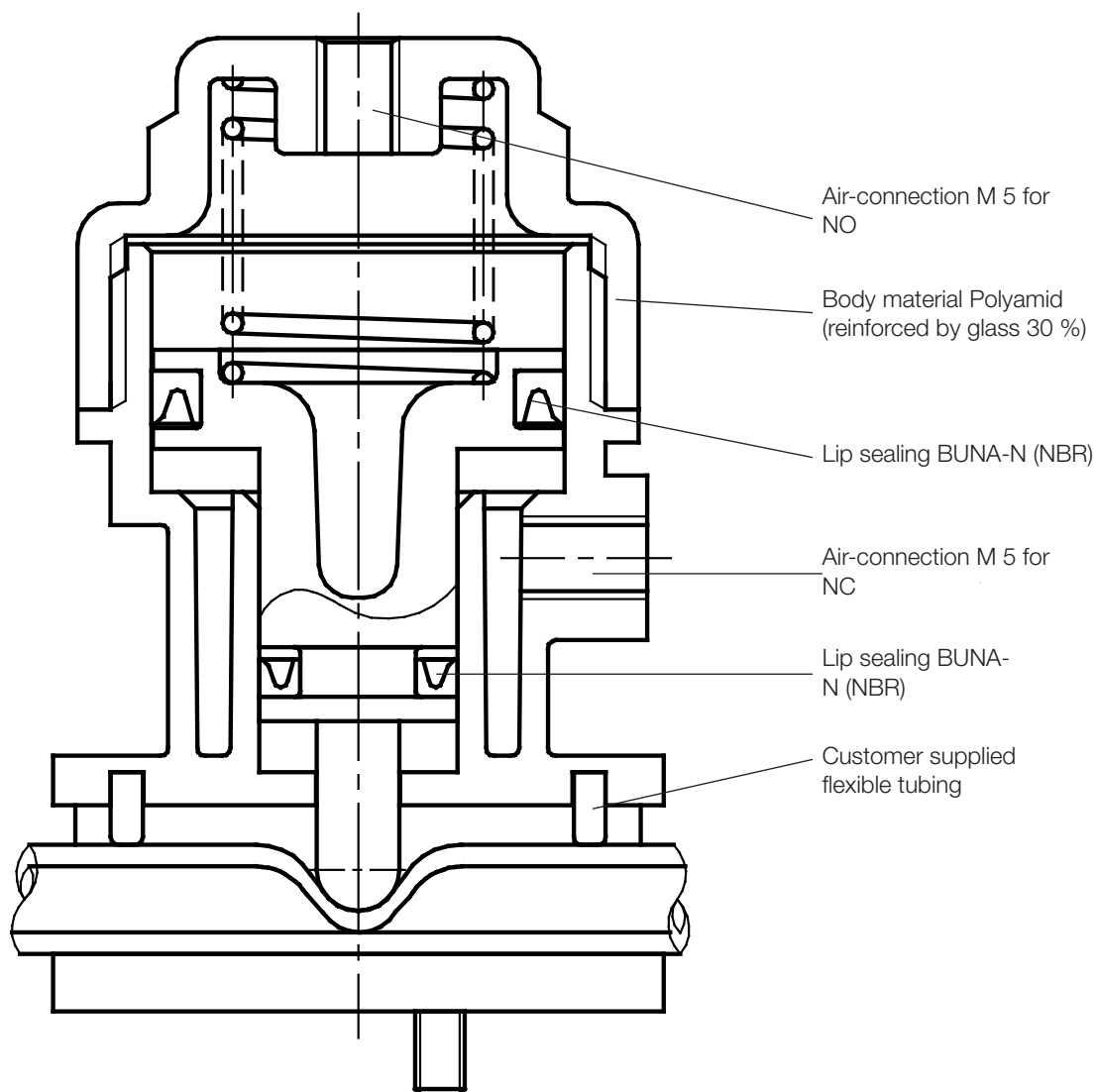
Mini Pinch Valve 7071



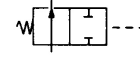
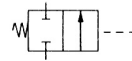
1/24" up to 1/8"

Valve for special applications in chemistry, analysis and medical technology.

- Fast and simple change of flexible tube
- No fluid contact to the valve
- Pneumatic actuator
- Reverse of function possible

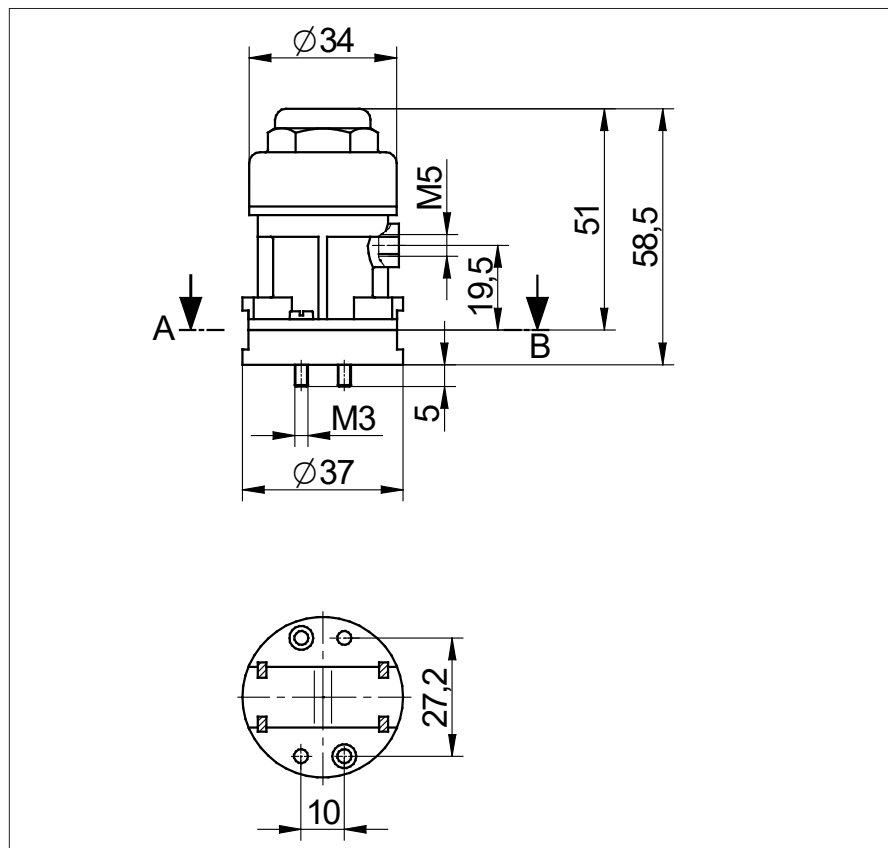


Technical Information



	Version normally closed			Version normally open		
	Tube orifice size	1/24"	1/16"	1/8"	1/24"	1/16"
Tube outside diameter (inch)	0.15	0.25	0.35	0.15	0.25	.035
Working pressure (psi) Tube quality < 55 Shore	0 - 30	0 - 25	0 - 15	0-75 psi according to the quality of the tube 50-70 Shore and the pilot pressure 15-90 psi		
Pilot pressure (psi)	15	15	15	15 - 90	15 - 90	15 - 90
Max. pilot pressure (psi)	90	90	90	90	90	90
Thread of pilot connection	M5	M5	M5	M5	M5	M5
Actuator	pneumatic piston Ø 1"			pneumatic piston Ø 1"		
Fluid temperature	-22°F up to +212°F			-22°F up to +212°F		
Ambient temperature	-22°F up to +140°F			-22°F up to +140°F		
Switching time (sec.)	for opening	0.05	0.05	0.05	0.1	0.1
	for closing	0.2	0.2	0.2	0.1	0.1
Viscosity of working medium (according to the orifice size)	12 up to 20°E			12 up to 20°E		
	(90 up to 150 cSt)			(90 up to 150 cSt)		
Weight (lbs)	0.15			0.15		
Ordering Numbers (each valve includes 1/24", 1/16" and 1/8")	4 005 038			4 005 035		

Dimensions



Dimensions in inch

Text and pictures are not binding. We reserve the right to alter the equipment.