

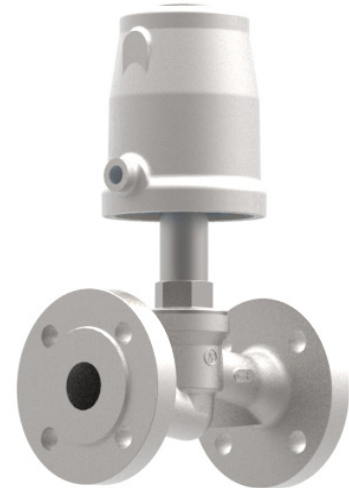
Flanged Valve HT220 7032



1/2" up to 2" up to 428°F

Pneumatically operated angle seat valves for the control of fluids of up to 428°F

- Compact design
- Unaffected by lightly contaminated media
- For temperatures up to +428°F
- Working pressures up to 580 psi
- Versatile actuators
- Preferred usage: steam applications



Technical Information

Nominal sizes	1/2" up to 2"
Body material	CF8M
Connection	Flanges acc. ANSI B16.5-Class 150 or DIN EN 1092-1
Dimensions	Acc. ANSI/ISA-75.08.01 or DIN EN 558-1 Row 1
Nominal pressure	ANSI150 or 580 psi
Max. fluid temperature*	32°F up to +428°F
Seating seal	PEEK-7 (T<320°F)
	PEEK-8 (T>320°F)
Ambient temperature*	5°F up to +140°F
Viscosity of media	maximum 600cSt, 80°E (600 mm ² /s)
Working pressure	See tables and diagrams, limitation for dangerous gases acc. Pressure equipment directive 97/23/EG (category I):
	PS (psi) x DN (inch) / 1.75 < 1000

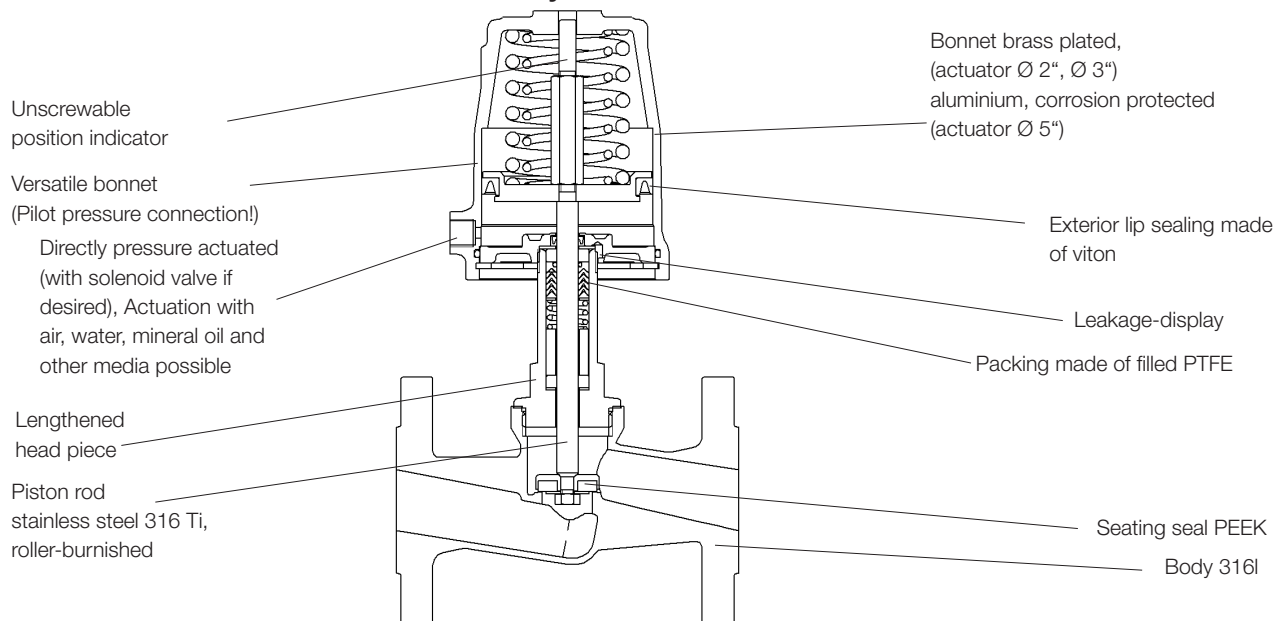
*: Please consider further temperature versions and limits in technical bulletin 32

Options

e.g.:

- Limit switches
 - inductive proximity switches
 - electrical contact switches
- Solenoid valves
- Additional manual operation

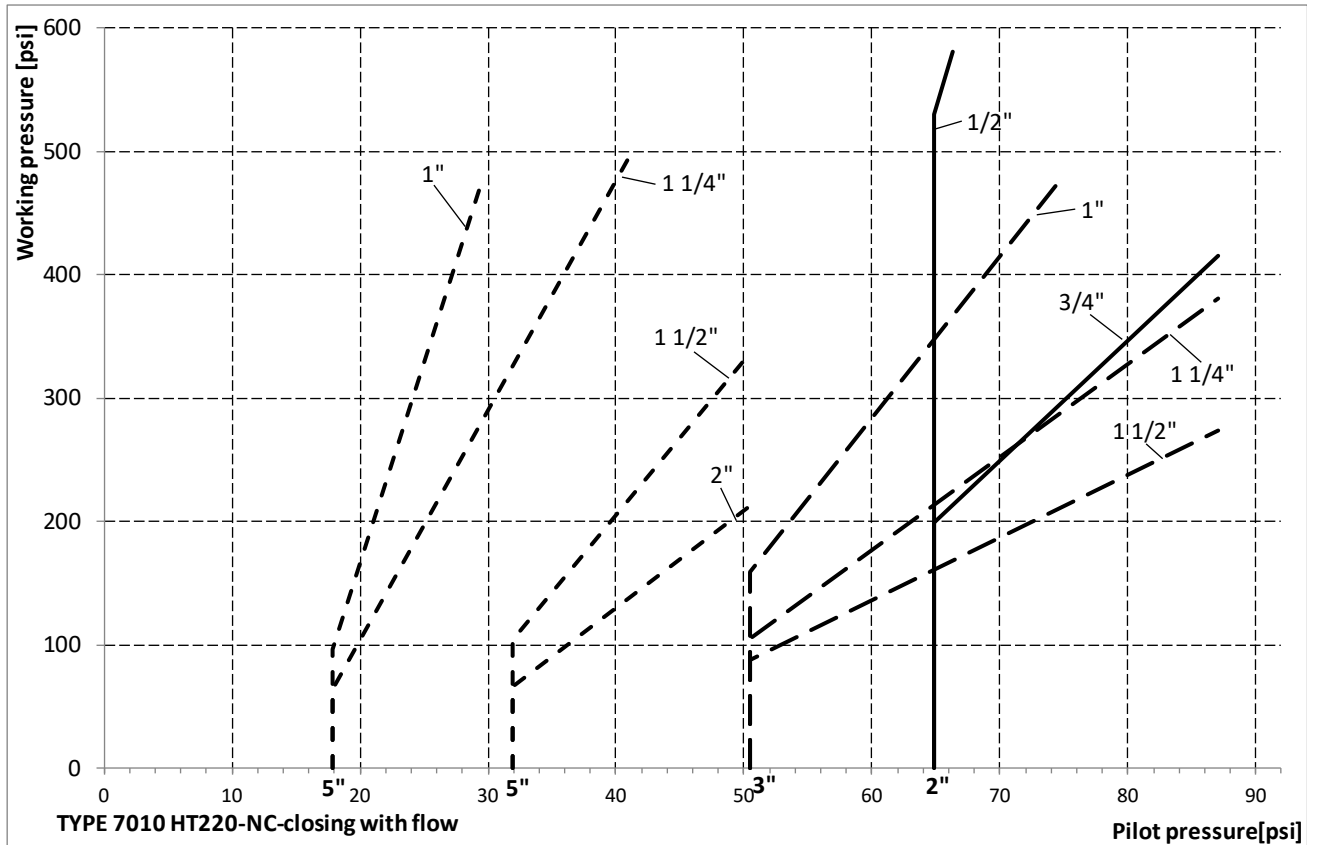
Normally closed



Schubert & Salzer Inc., 4601 Corporate Drive N.W., Suite 100 Concord, NC 28027, Ph.: (704) 789 0169, Fax: (704) 792 9783
 info@schubertsalzerinc.com, www.schubertsalzerinc.com

Schubert & Salzer Control Systems GmbH, Bunsenstr. 38, 85053 Ingolstadt, Tel: +49 (0)841-9654 0, Fax: +49 (0)841 9654 590
 info.cs@schubert-salzer.com, www.schubert-salzer.com

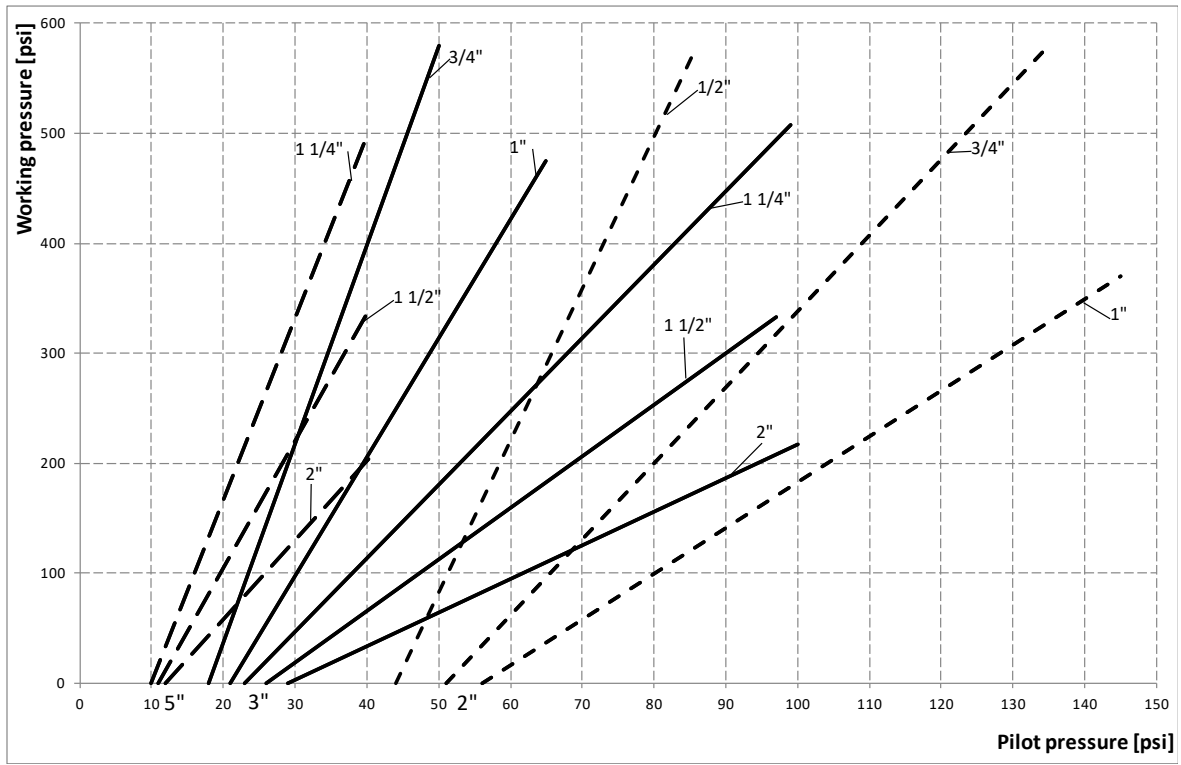
Angle seat valves, NC, closing with flow. Seating seal PEEK-7 (T<320°F) and PEEK-8 (T>320°F). Usage for gaseous media.



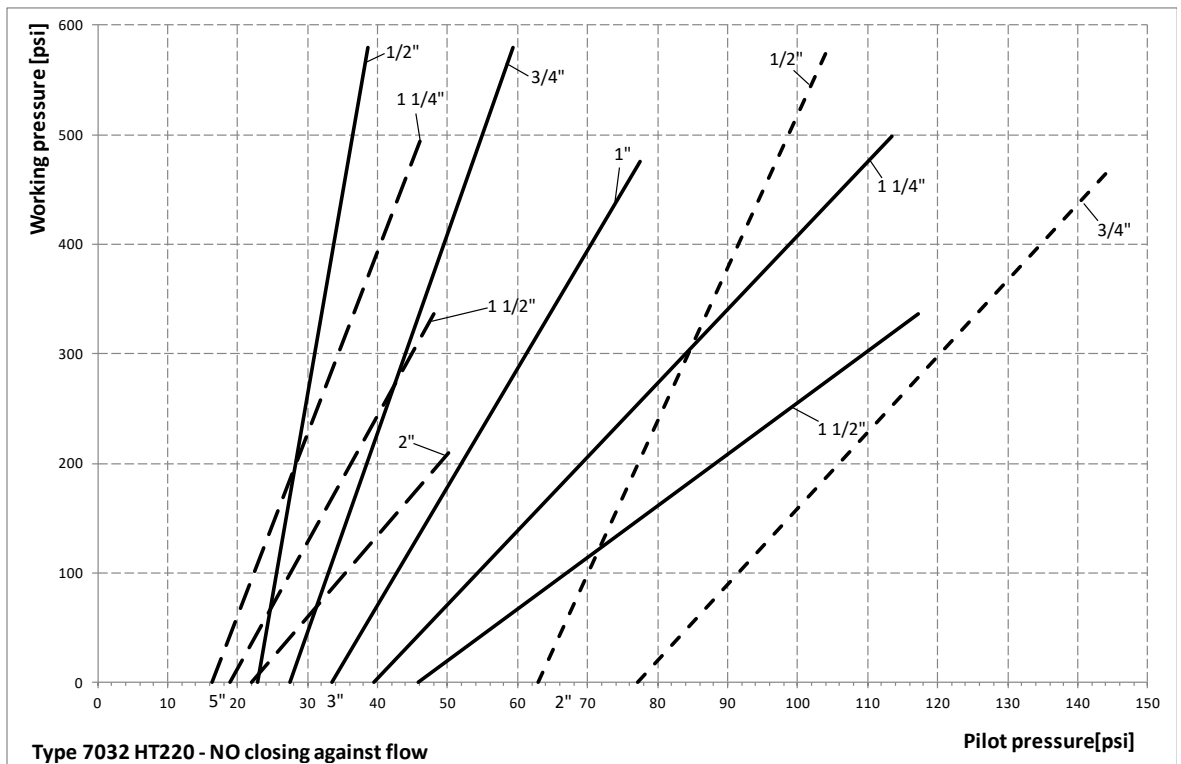
Spring set for version „closing with flow“:

actuator 2":		2 springs
actuator 3":		1 strong spring
actuator 5":	DN1" - 1 1/4"	1 strong spring
actuator 5":	DN1 1/2" - 2"	2 strong springs

Angle seat valves, NO, closing against flow. Seating seal PEEK 8 (T>320°F).

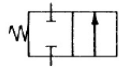


Angle seat valves, NO, closing against flow. Seating seal PEEK 7 (T<320°F).



Type 7032 HT220 - NO closing against flow

Flanged Valve HT220 7032



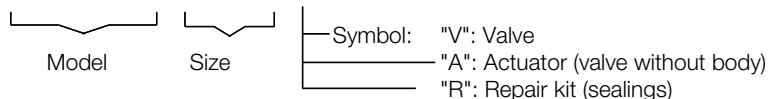
--- Angle seat valves, NC, closing against flow.
Usage for fluid and gaseous media.

Size	Max. working pressure (differential pressure)		Pilot pressure psi	Actuator Ø inch	Springs
	PEEK-7 (T<320°F)	PEEK-8 (T>320°F)			
1/2"	-	159	51-145	2"	1
1/2"	71	333	66-145	2"	2
1/2"	246	507	83-145	2"	3
3/4"	-	107	66-145	2"	2
3/4"	-	188	83-145	2"	3
3/4"	319	507	51-145	3"	1
3/4"	507	580	64-145	3"	2
1"	121	261	51-145	3"	1
1"	217	362	64-145	3"	2
1"	348	464	82-145	3"	3
1 1/4"	-	140	51-145	3"	1
1 1/4"	91	203	64-145	3"	2
1 1/4"	159	275	82-145	3"	3
1 1/4"	-	121	19-145	5"	1
1 1/4"	188	290	32-145	5"	2
1 1/4"	319	435	45-145	5"	3
1 1/2"	-	116	64-145	3"	2
1 1/2"	62	145	82-145	3"	3
1 1/2"	88	174	32-145	5"	2
1 1/2"	159	261	45-145	5"	3
Reinforced design					
1 1/2"	246	333	32-145	10"	6
2"	-	92	82-145	3"	3
2"	-	110	32-145	5"	2
2"	85	159	45-145	5"	3
2"	137	203	40-87	10"	6
2"	188	261	40-87	10"	8

Ordering Number System

7	0	3	2	/			V			1	2	3	4	5	6	7	8	9	10	11	12	13	14	15	16	17

1 - 6 : Please quote all 6 sections.
7 - 12: Quote only if required.



1.	Body type	2.	Connection	3.	Body material	4.	Seating seal	5.	Pilot function	6.	Actuator
9	flanged valve	1	flange acc. DIN EN 1092-1	2	stainless steel	7	PEEK	0	NC (closing with flow)	7	piston Ø 2", NPT
						8	PEEK	1	NO (closing against flow)	8	piston Ø 3", NPT
		2	ANSI 150 flange length acc. ANSI/ISA-75.08.01					2	NC (closing against flow)	9	piston Ø 5", NPT
										P	piston Ø 2" with plastic bonnet, NPT
										S	piston Ø 3" with plastic bonnet, NPT
										D	diaphragm 10", NPT

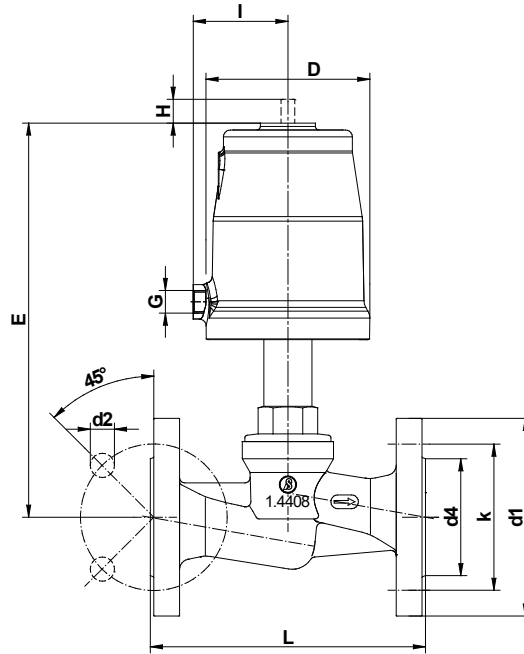
7.	Springs	8.	Packing	9.	Temperature version	10.	Accessories	11.	Special versions	
-	standard	-	standard	-	standard	-	no accessories	-	Special versions	
1	1 spring				H	high temperature version +392°F	1	electrical position indicator with one switch	M	Position indicator with cable bushing
2	2 springs				B	high temperature HT220 (428°F)	2	as above but with two switches		
3	3 springs				U	low temperature version down to -58°F, fluid temperature	3	manual emergency operation	N	Position indicator with plug connection
T	6 springs (10")				W	low temperature version down to -40°F, ambient temperature	4	additional manual operation		
W	8 springs (10")						5	stroke limitation		
Y	12 springs (10")						6	pilot valve DN 2, 230 V AC		
							7	pilot valve DN 2, 24 V DC		
							K	electr. position indicator compact		
							M	position indicator with two ind. switches 10 - 36 V DC (PNP)		
							P	position indicator with one ind. switches 10 - 36 V DC (PNP)		
							T	position indicator compact, inductive 10 - 30 V DC (PNP)		

Ordering example: 7032/025V9128281--B-S----0
 Angle seat valve type 7010, DN 25, connection NPT-thread, body material stainless steel,
 seating seal PEEK, NC closing against flow, actuator 3", one spring, high temperature version HT 428°F

Flanged Valve HT220 7032

with piston actuator

Dimensions and Weights



DIN-flange

DN	Actuator	L	D	d	d1	d2	k	E	G	Stroke	I	Cvs-Value	Weight (lbs)
1/2"	2"	5.12	2.44	3.74	1.77	0.55	2.56	6.65	1/8"	0.47	1.36	3.6	7
3/4"	2"	5.91	2.44	4.13	2.28	0.55	2.95	6.85	1/8"	0.61	1.36	7.5	9
1"	2"	6.3	2.44	4.53	2.68	0.55	3.35	7.52	1/8"	0.61	1.36	13.9	10
1"	3"	6.3	3.86	4.53	2.68	0.55	3.35	8.98	1/4"	0.79	2.17	13.9	14
1 1/4"	2"	7.09	2.44	5.51	3.07	0.71	3.94	7.68	1/8"	0.61	1.36	19.7	14
1 1/4"	3"	7.09	3.86	5.51	3.07	0.71	3.94	9.13	1/4"	0.91	2.17	20.3	17
1 1/4"	5"	7.09	5.67	5.51	3.07	0.71	3.94	10.16	1/4"	0.91	3.15	20.3	22
1 1/2"	2"	7.87	2.44	5.91	3.46	0.71	4.33	7.91	1/8"	0.61	1.36	29	16
1 1/2"	3"	7.87	3.86	5.91	3.46	0.71	4.33	9.41	1/4"	1.12	2.17	29	19
1 1/2"	5"	7.87	5.67	5.91	3.46	0.71	4.33	10.39	1/4"	1.12	3.15	29	24
Reinforced design													
1 1/2"	2"	7.87	2.44	5.91	3.46	0.71	4.33	8.5	1/8"	0.61	1.36	29	16
1 1/2"	3"	7.87	3.86	5.91	3.46	0.71	4.33	10	1/4"	1.12	2.17	29	20
1 1/2"	5"	7.87	5.67	5.91	3.46	0.71	4.33	10.98	1/4"	1.12	3.15	29	24
2"	3"	9.06	3.86	6.5	4.02	0.71	4.92	10.94	1/4"	1.18	2.17	46.4	24
2"	5"	9.06	5.67	6.5	4.02	0.71	4.92	11.93	1/4"	1.18	3.15	46.4	29

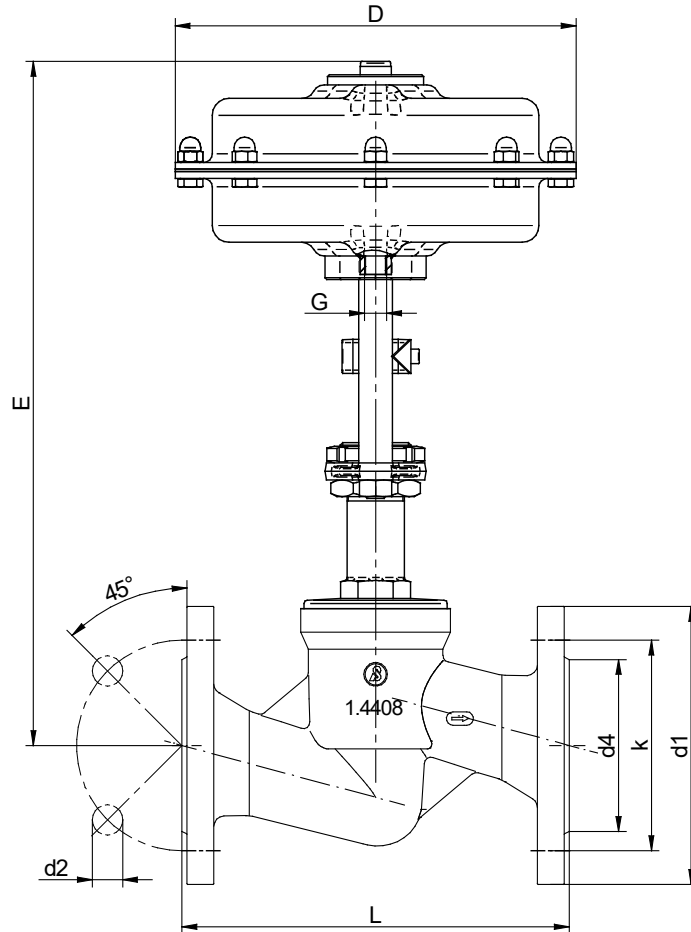
flange #ANSI 150 face to face dimensions acc. ANSI/ISA-75.08.01

DN	Actuator	L	D	d	d1	d2	k	E	G	Stroke	I	Cvs-Value	Weight (lbs)
1/2"	2"	7.24	2.44	3.5	1.38	0.62	2.38	6.65	1/8"	0.47	1.36	3.6	6
3/4"	2"	7.24	2.44	3.88	1.69	0.62	2.75	6.85	1/8"	0.61	1.36	7.5	7
1"	2"	7.24	2.44	4.25	2	0.62	3.12	7.52	1/8"	0.61	1.36	13.9	9
1"	3"	7.24	3.86	4.25	2	0.62	3.12	8.98	1/4"	0.79	2.17	13.9	12
1 1/4"	2"	7.87	2.44	4.62	2.5	0.62	3.5	7.68	1/8"	0.61	1.36	19.7	12
1 1/4"	3"	7.87	3.86	4.62	2.5	0.62	3.5	9.13	1/4"	0.91	2.17	20.3	15
1 1/4"	5"	7.87	5.67	4.62	2.5	0.62	3.5	10.16	1/4"	0.91	3.15	20.3	20
1 1/2"	2"	8.74	2.44	5	2.88	0.62	3.88	7.91	1/8"	0.61	1.36	29	15
1 1/2"	3"	8.74	3.86	5	2.88	0.62	3.88	9.41	1/4"	1.12	2.17	29	18
1 1/2"	5"	8.74	5.67	5	2.88	0.62	3.88	10.39	1/4"	1.12	3.15	29	23
Reinforced design													
1 1/2"	2"	8.74	2.44	5	2.88	0.62	3.88	8.5	1/8"	0.61	1.36	29	16
1 1/2"	3"	8.74	3.86	5	2.88	0.62	3.88	10	1/4"	1.12	2.17	29	20
1 1/2"	5"	8.74	5.67	5	2.88	0.62	3.88	10.98	1/4"	1.12	3.15	29	24
2"	3"	10	3.86	6	3.62	0.75	4.75	10.94	1/4"	1.18	2.17	46.4	22
2"	5"	10	5.67	6	3.62	0.75	4.75	11.93	1/4"	1.18	3.15	46.4	27

Flanged Valve HT220 7032

with diaphragm actuator

Dimensions and Weights



DIN-flange

DN	Actuator	L	d1	d2	d4	k	D	E	G	Stroke	CVs-value	Weight (kg)
1 1/2"	10"	7.87	5.91	0.71	3.46	4.33	9.37	16.18	G1/4"	0.98	29	39
2"	10"	9.06	6.5	0.71	4.02	4.92	9.37	16.02	G1/4"	0.98	46.4	44

Flange #ANSI 150 face to face dimension acc. ANSI/ISA-75.08.01

DN	Actuator	L	d1	d2	d4	k	D	E	G	Stroke	CVs-value	Weight (kg)
1 1/2"	10"	8.74	5	0.62	2.88	3.88	9.37	16.18	G 1/4"	0.98	29	39
2"	10"	10	6	0.75	3.62	4.04	9.37	16.02	G 1/4"	0.98	46.4	44