

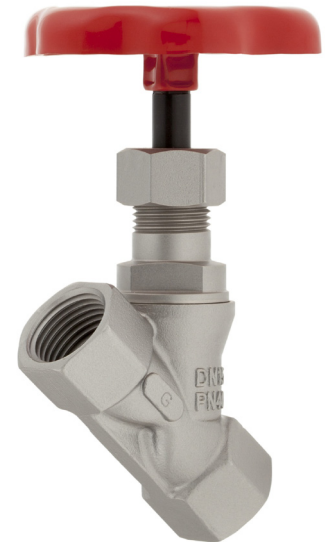
# Angle Seat Manual Valve 7011



1/2" up to 2", 580 psi

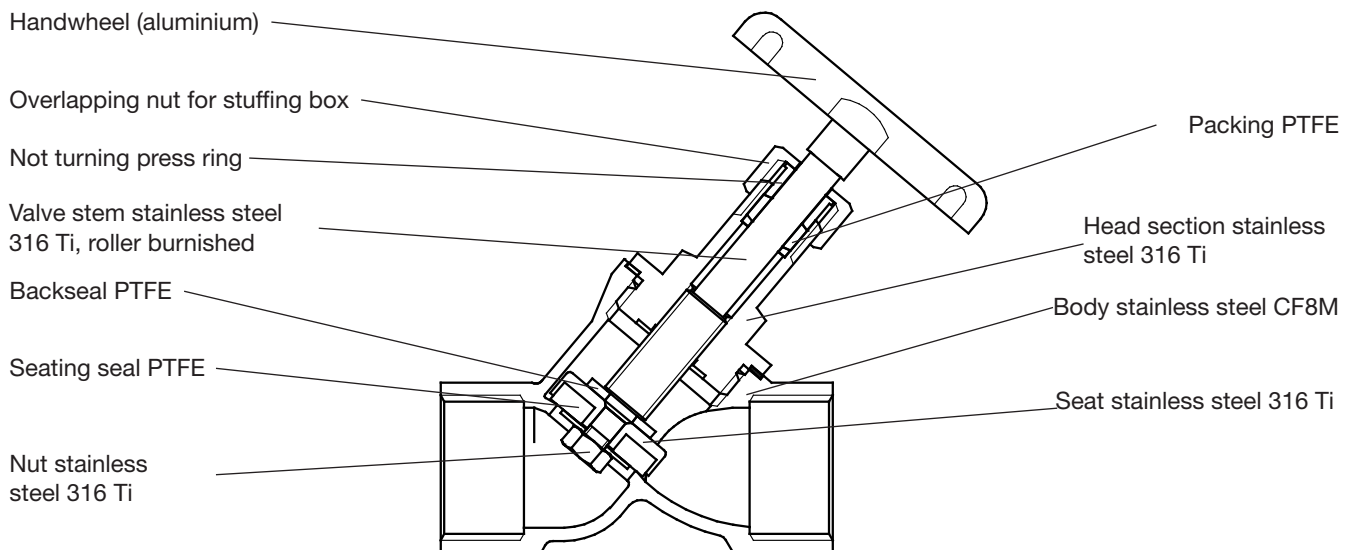
Manually operated valve for neutral up to highly aggressive media.

- Compact design
- Working pressure up to 580 psi
- All parts contacting the fluid made from stainless steel
- Backsealing to unburden the stuffing box when the valve is opened
- For temperatures from -40°F up to +392°F

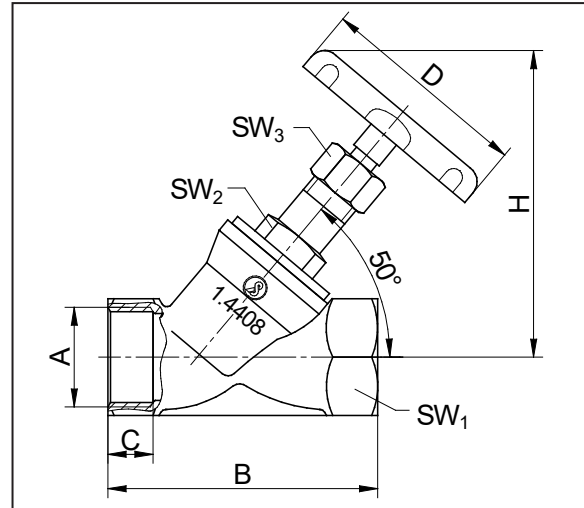
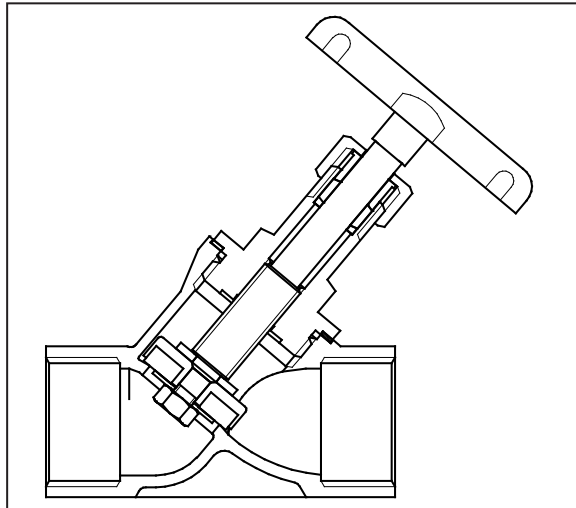


## Technical Information

Orifice sizes	1/2" - 2"
Connections	ISO thread G 1/2" - G 2" NPT thread 1/2" - 2" Tri clamp 1/2" - 2" others upon request
Body material	Stainless steel CF8M
Nominal pressure	580 psi
Pressure limitation	limitation for dangerous gases acc. Pressure equipment directive 2014/68/EU (category I): $PS \text{ (psi)} \times DN \text{ (inch)} / 1.75 < 1000$
Fluid temperature	-22°F up to +392°F (special versions from -40°F up to +392°F)
Ambient temperature	-4°F up to +212°F (special versions from -40°F up to +212°F)



## Dimensions and Weights

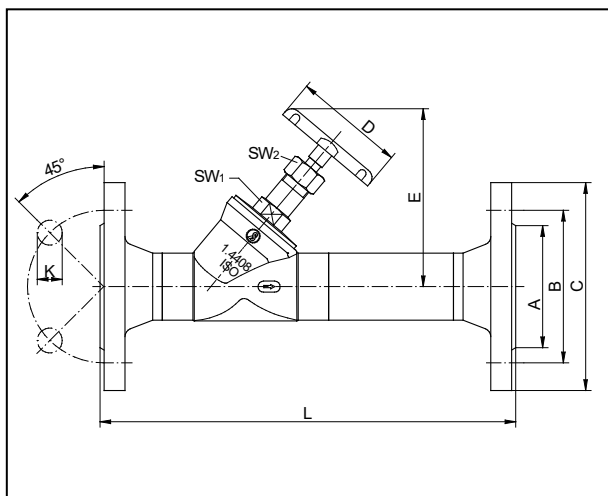


A G/NPT (Size)	B	C	D	E		SW1	SW2	SW3	Cvs- Wert	Weight (lbs)
				opened	closed					
1/2"	2.56	0.47	2.36	3.15	2.87	0.98	0.87	0.79	4.5	0.42
3/4"	2.95	0.51	2.76	3.78	3.39	1.22	0.87	0.79	11.1	0.59
1"	3.54	0.59	2.76	4.33	3.78	1.54	1.18	0.79	19.7	1.01
1 1/4"	4.33	0.67	3.15	5.2	4.57	1.89	1.18	0.94	32.5	1.69
1 1/2"	4.72	0.75	3.15	5.55	4.8	2.17	1.18	0.94	45.2	2.55
2"	5.91	0.83	3.94	6.65	5.67	2.68	1.18	1.06	71.9	3.78

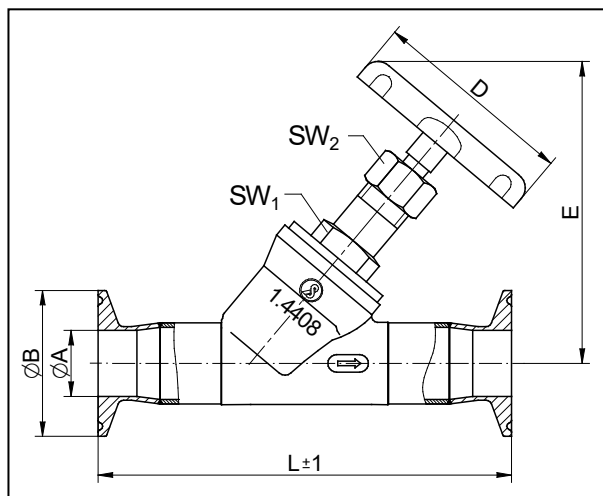
Dimensions in inch

## Dimensions and weights with weld neck flanges or Tri-Clamp connection

weld neck flange DIN/ANSI



Tri-Clamp connection (Inch)



DN	weld neck flange acc. to DIN 2635				weld neck flange acc. to ANSI 150				clamp socket (Inch)			D	E		SW1	SW2	Cvs- Value	Weight (ca. lbs)
	A	B	C	L	A	B	C	L	A	B	L		open	closed				
1/2"	1.8	2.6	3.7	9.1	1.4	2.4	3.5	9.1	0.4	1	4.7	2.4	3.1	2.9	0.9	0.7	4.5	0.4
3/4"	2.3	3	4.1	10.2	1.7	2.7	3.9	10.2	0.6	1	5.1	2.8	3.8	3.4	0.9	0.7	11.1	0.6
1"	2.7	3.3	4.5	10.2	2	3.1	4.3	10.2	0.9	2	5.6	2.8	4.3	3.8	1.2	0.7	19.7	1
1 1/4"	3.1	3.9	5.5	11.8	2.5	3.5	4.6	11.8	1.3	2	6.5	3.1	5.2	4.6	1.2	0.9	32.4	1.7
1 1/2"	3.5	4.3	5.9	11.8	2.9	3.9	5	11.8	1.4	2	6.4	3.1	5.6	4.8	1.2	0.9	45.1	2.6
2"	4	4.9	6.5	13.8	3.6	4.8	6	13.8	1.9	2.5	7.6	3.9	6.7	5.7	1.2	1.1	71.7	3.8

Dimensions in inch