

# Hygienic Right Angle Valve 6052



1/2" up to 2"  
with 3A-conformance

**Pneumatic control valve in right angle design.  
For dairy applications as well as applications in the  
pharmaceutical, food and beverage industry.**

- Integral digital positioner type 8049 (or as shut-off valve)
- Perfect cleanability by optimized flow condition in relation to constant high wall shear stress
- 3A-authorized design for easy cleaning or sterilizing in place
- Body made from non-porous barstock material
- Medium is sealed by the diaphragm
- Solid design of the diaphragm for extreme variations in temperature
- High chemical resistance by a composite diaphragm made of PTFE and reinforced EPDM
- Simple and smart design
- Customer-friendly maintenance
- Wetted parts are FDA conformant, comply with the USP class VI and regulations (EG) 1935/2004 and (EU) 10/2011
- Also available with the function normally open for CIP/SIP-cleaning with non-pressurized actuator.
- Suitable for vacuum applications



## Technical Information Valve

Body material	Stainless steel 316L (1.4435)	
Nominal sizes	1/2" up to 2"	
Connections	Welding ends ASME BPE OD-tubing Clamp connection acc. ASME-BPE	
Nominal pressure	235 psi	
Diaphragm	Reinforced EPDM diaphragm with PTFE-foil (fluidside)	
Fluid temperature	-4°F up to +284°F	
ambient temperature	digital positioner +14°F up to +167°F analog positioner +5°F up to +140°F	
Rangeability	50 : 1	
Vacuum	maximum 0.0295 mercury (Hg)	
Hysteresis	< 0.5 %	
Surfaces in contact with media	Ra 24 µin electropolished Ra 16 µin (optional for housing)	
Surfaces outside	Housing parts:	Ra 47 µin
	Piston actuators:	Casting surface (standard)
		polished Ra 31 µin (optional)
Diaphragm actuators:	plate thermoformed polished Ra 31 µin (optional)	
Leakage acc. EN 12266-1	leakage class A	

## Positioner

For the technical data of the positioners, please refer to the Type 8049 Data Sheet

## Materials

Valve body	Stainless steel 316L (1.4435)
Actuator	Stainless steel 316L (1.4408) (optional: polished)
Diaphragm actuator	Stainless steel ASTM A313 304 (optional: polished)
Actuator springs	Stainless steel ASTM A313 301
Valve stem	Stainless steel 316 Ti
Control plug	PEEK
Clamp-connection	Stainless steel 316L (1.4435)
Body positioner	Aluminium, filled PA, optional: stainless steel 303
Body position indicator	PA Polyamid (clear)

# Hygienic Right Angle Valve 6052



with 3A-conformance

## Admissible differential pressures for control valves with positioner type 8049

				Max. Operating pressure P1 [psi] (depending on holding pressure P2 [psi])																														
Size	Actuator	Springs	P Supply [psi]	P2	0	15	29	29	29	29	29	29	44	44	44	44	44	44	44	58	73	87	87	87	87	87	87	87	87	102	102	102	102	
1/2"	3"	2	73 to 87	max. P1	145	145	145	145	145	145	145	145	140	120	100	78	57																	
	5"	3	58 to 87	max. P1	145	145	145	145	145	145	145	145	145	145	145	145	145	145	145	145	145	145	145	145	145	145	145	145	135	110				
3/4"	3"	2	73 to 87	max. P1	145	145	145	145	145	145	145	145	140	120	100	78																		
	5"	3	58 to 87	max. P1	145	145	145	145	145	145	145	145	145	145	145	145	145	145	145	145	145	145	145	145	145	145	145	145	135	110				
1"	3"	2	73 to 87	max. P1	145	140	130	120	105	93	78	64	49	35	28																			
	5"	3	58 to 87	max. P1	145	145	145	145	145	145	145	145	145	145	145	145	145	145	145	130	115	100	90	75										
	10"	6	44 to 87	max. P1	145	145	145	145	145	145	145	145	145	145	145	145	145	145	145	145	145	145	145	145	145	145	145	145	140	130	125	110		
1 1/2"	5"	3	58 to 87	max. P1	145	145	140	135	130	120	115	105	100	94	87	80	73	65	58	55														
	10"	6	44 to 87	max. P1	145	145	145	145	145	145	145	145	145	145	145	145	145	145	145	140	140	135	130	120	115	105	100	94	87	80				
2"	5"	3	58 to 87	max. P1	86	81	77	74	73	68	64	59	58	55	54	51	46	42	38	36														
	10"	6	44 to 87	max. P1	105	105	105	105	105	105	105	105	105	105	105	100	100	99	94	90	87	86	81	77	73	68	64	64	58					
2	5"	3	58 to 87	max. P1	38	35	33	32	30	29	28	26	25	23	20	19																		
	1/2"	6	44 to 87	max. P1	44	44	44	44	44	44	42	41	39	38	36	35	32	30	29	28	26													

Suitable for vacuum applications

# Hygienic Right Angle Valve 6052

with 3A-conformance

## Admissible differential pressures for shut-off valves (spring to close\*)

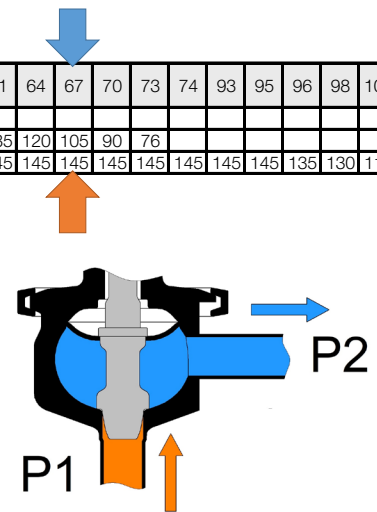
Size	Actuator	Springs	PSupply [psi]	P2	Max. Operating pressure P1 [psi] (depending on holding pressure P2 [psi])																											
					0	15	29	29	29	29	29	29	44	44	44	44	44	44	58	73	87	87	87	87	87	87	87	102	102	102	102	
1/2"	3"	2	73 to 87	max. P1	200	200	200	200	200	180	155	140	120	100	78	57																
	5"	3	58 to 87	max. P1	200	200	200	200	200	200	200	200	200	200	200	200	200	200	200	200	200	200	200	200	200	200	200	200	200			
3/4"	3"	2	73 to 87	max. P1	200	200	180	155	140	120	100	78	57																			
	5"	3	58 to 87	max. P1	200	200	200	200	200	200	200	200	200	200	200	200	200	200	200	200	200	200	200	200	200	200	200	200				
1"	3"	2	73 to 87	max. P1	145	140	130	62	105	93	78	64	49	35	28																	
	5"	3	58 to 87	max. P1	200	200	200	200	200	200	200	200	200	200	200	200	200	200	200	200	200	200	200	200	200	200	200	200				
	10"	6	44 to 87	max. P1	200	200	200	200	200	200	200	200	200	200	200	200	200	200	200	200	200	200	200	200	200	200	200	200				
1 1/2"	5"	3	58 to 87	max. P1	155	155	150	140	135	130	130	125	120	115	110	105	100	94	87	80	73	65	58	55								
	10"	6	44 to 87	max. P1	155	155	155	155	155	155	155	155	155	155	155	155	155	155	155	155	155	150	140	140	135	130	120	87	80			
2"	5"	3	58 to 87	max. P1	86	83	81	74	73	68	64	59	55	54	51	46	42	38	36													
	10"	6	44 to 87	max. P1	130	130	130	125	120	115	115	110	105	100	100	99	94	90	87	86	83	77	73	68	64	62	64	55				
2 1/2"	5"	3	58 to 87	max. P1	38	35	33	30	29	28	25	23	20	19																		
	10"	6	44 to 87	max. P1	45	45	45	45	44	42	39	38	36	35	32	30	29	28	26													
	250	8	39 to 87	max. P1	45	45	45	45	45	45	45	45	45	45	45	45	45	45	45	45	45	45	45	45	44	42	41	39				

\*Pressure values for ,spring to open' on demand  
 Suitable for vacuum applications  
 Intermediate values can be interpolated linearly

**Example:**  
 P1= 116 psi, P2= 67

Actuator	Springs	P <sub>Supply</sub> [psi]	P2	0	2	3	6	9	12	15	18	21	24	25	29	31	58	61	64	67	70	73	74	93	95	96	98	105	
3"	2	73 to 87	max. P1	145	145	135	125	110	93	79	64	50	35	28															
5"	3	58 to 87	max. P1	145	145	145	145	145	145	145	145	145	145	145	145	145	145	135	120	105	90	76							
10"	6	44 to 87	max. P1	145	145	145	145	145	145	145	145	145	145	145	145	145	145	145	145	145	145	145	145	145	145	145	135	130	115

**Result:** Actuator 5" is too small and can only be used up to P1=104 psi  
 Actuator 10" is sufficient



## CVS-values

characteristic	linear					equal percentage				
	1/2"	3/4"	1"	1 1/2"	2"	1/2"	3/4"	1"	1 1/2"	2"
100%	3	4,6	11,6	27,7	46,4	2,9	4,6	11,48	21,3	37
reduced (63 %)	2,67	2,67	6,5	18,6	-	2,9	2,9	7,3	16,8	-
reduced (40 %)	1,45	1,45	4,6	11,6	-	1,9	1,9	4,6	-	-
reduced (25 %)	1,16	1,16	2,67	-	-	-	-	2,9	-	-
reduced (16 %)	0,73	0,73	1,45	-	-	-	-	1,9	-	-
reduced (10 %)	0,46	0,46	1,16	-	-	-	-	-	-	-
reduced (6,3 %)	0,29	-	0,73	-	-	-	-	-	-	-
reduced (4 %)	-	-	0,46	-	-	-	-	-	-	-
reduced (2,5 %)	0,12	0,12	-	-	-	-	-	-	-	-
stroke (inch)	0,63					0,63				

# Hygienic Right Angle Valve 6052



with 3A-conformance

## Admissible differential pressures Pressure values for shut-off valves (spring closes\*)

Kvs	Actuator	Pst	Max. operating pressure P1 [psi] (depending on holding pressure P2 [psi])															
			0	7	14	21	29	36	43	50	58	65	72	79	87	94	100	
0,4 - 1,0	D80	22																
		29	230	15														
		37	230	230	155													
		44		230	230		230	10										
		51				230	230	150										
		58					230	230	230	4								
		66							230	230	145							
		73								230	230	230						
		80										230	140					
		87											230	230	230			
		105														230	230	
		120																
		135																
		145																
		D125	15	230	230	155												
22				230	230	230	230	82										
29							230	230	230	230	230							
37											230	230	230	230	215			
44															230	230		
51																		
58																		
D250	21																	
	24	50																
	27	230	230	230	76													
	29		230	230	230	230	230	100										
	32						230	230	230	230	125							
	35									230	230	230	230	150				
	38												230	230	230	230		
	41															230		
44															230			
1,6 - 4,0	D80	22																
		29																
		37	135	37														
		44	230	185	92													
		51	230	230	230	145	49											
		58		230	230	230	200	105	5									
		66				230	230	230	155	62								
		73						230	230	210	115	18						
		80							230	230	230	165	73					
		87									230	230	220	125	30			
		105												230	230	230	140	
		120															230	
		135																
		145																
		D125	15	135	37													
	22		230	230	230	220	125	29										
	29					230	230	230	230	215	115	18						
	37									230	230	230	230	200	105	10		
	44												230	230	230	230	230	
	51																230	
	58																	
	D250		21															
			24															
		27	210	110	13													
		29	230	230	230	230	130	36										
		32			230	230	230	230	230	150	59							
		35						230	230	230	230	230	180	82				
38										230	230	230	230	230	200	105		
41														230	230	230		
44																		

The specified control pressures for NO valves may be exceeded by a maximum of 3 psi

# Hygienic Right Angle Valve 6052



with 3A-conformance

## Admissible differential pressures Pressure values for shut-off valves (spring closes\*)

Kvs	Actuator	Pst	Max. operating pressure P1 [psi] (depending on holding pressure P2 [psi])															
			0	7	14	21	29	36	43	50	58	65	72	79	87	94	100	
6,3 - 10	D80	37																
		44	17															
		51	66	40	13													
		58	115	89	62	36	8											
		66	155	135	110	85	59	31	5									
		73	200	185	155	130	105	81	55	27	1							
		80	200	200	200	180	150	130	100	76	50	23						
		87			200	200	200	170	150	125	100	73	46	20				
		105						200	200	200	195	165	145	115	91	65	37	
	120										200	200	200	185	155	135		
	135													200	200	200		
	145																	
	D125	15																
		22	91	65	37	11												
		29	200	185	155	130	105	81	55	27	1							
		37	200	200	200	200	200	200	170	150	120	98	71	44	17			
		44						200	200	200	200	200	195	165	140	110	88	
		51										200	200	200	200	200	200	
D250	58																200	
	66																	
	27																	
	29	94	66	40	14													
	32	195	165	140	115	89	62	36	8									
	35	200	200	200	200	185	155	135	110	85	58	31	4					
	38			200	200	200	200	200	200	180	155	130	105	79	53	27		
	41							200	200	200	200	200	200	180	150	125		
44											200	200	200	200	200			
47																200		
50																		
53																		
15 - 25	D80	37																
		44																
		51																
		58	23	13	2													
		66	49	39	29	18	8											
		73	73	63	53	43	33	23	13	2								
		80	98	88	79	69	59	49	39	29	18	8						
		87	120	110	100	94	84	73	63	53	43	33	23	13	2			
		105	155	155	150	145	130	120	110	100	94	84	73	63	53	43	33	
	120				155	155	155	155	150	145	130	120	110	100	94	84		
	135									155	155	155	155	150	145	130		
	145															155	155	
	D125	15																
		22	11	1														
		29	73	63	53	43	33	23	13	2								
		37	135	125	115	105	97	87	76	66	56	46	36	26	15	5		
		44	155	155	155	155	155	145	135	125	115	105	100	89	79	69	59	
		51				155	155	155	155	155	155	155	155	150	140	130	120	
D250	58											155	155	155	155	155		
	66																	
	27																	
	29	11	1															
	32	63	55	44	34	24	14	4										
	35	115	105	97	87	76	66	56	46	36	26	15	5					
	38	155	155	145	135	125	115	105	98	88	78	68	58	47	37	27		
	41	155	155	155	155	155	155	155	145	140	130	120	110	100	89	79		
44					155	155	155	155	155	155	155	155	150	140	130			
47											155	155	155	155	155			
50																155		
53																		

The specified control pressures for NO valves may be exceeded by a maximum of 3 psi

# Hygienic Right Angle Valve 6052



with 3A-conformance

## Admissible differential pressures Pressure values for shut-off valves (spring closes\*)

Kvs	Actuator	Pst	Max. operating pressure P1 [psi] (depending on holding pressure P2 [psi])														
			0	7	14	21	29	36	43	50	58	65	72	79	87	94	100
32 - 40	D80	58															
		66	7	4	1												
		73	23	20	15	13	10	7	2								
		80	37	34	31	29	24	21	18	15	11	8	5	2			
		87	53	50	46	43	40	37	33	30	27	24	20	17	14	11	8
		105	84	81	78	73	71	68	65	60	58	55	52	47	44	42	39
		120	110	110	105	100	100	98	95	91	88	85	82	78	75	72	69
		135	130	130	130	130	130	125	125	120	115	115	110	105	105	100	100
	145							130	130	130	130	130	130	130	130	130	
	15																
	22																
	29	23	20	15	13	10	7	2									
	37	60	58	55	52	47	44	42	39	34	31	29	26	21	18	15	
	44	100	95	92	89	87	82	79	76	73	69	66	63	60	56	53	
	51	130	130	130	125	120	120	115	110	110	105	105	100	98	95	92	
	58		130	130	130	130	130	130	130	130	130	130	130	130	130	130	
	66														130	130	130
	29																
	32	17	14	10	7	4	1										
	35	49	44	42	39	36	33	29	26	23	20	15	13	10	7	2	
	38	81	76	73	71	68	63	60	58	55	50	47	44	42	37	34	
	41	110	105	105	100	98	95	92	89	85	82	79	76	72	69	66	
	44	130	130	130	130	130	125	120	120	115	110	110	105	100	100	98	
	47	130	130	130	130	130	130	130	130	130	130	130	130	130	130	130	
50													130	130	130	130	
53																	
60	D125	15															
		22															
		29	5	5	4	4	2	2	1	1	1						
		37	34	34	33	33	31	31	30	30	29	29	29	27	27	26	26
		44	63	63	62	62	60	60	59	59	58	58	56	56	56	55	55
		51	87	87	87	87	87	87	87	87	87	87	85	85	84	84	84
	58			87	87	87	87	87	87	87	87	87	87	87	87	87	87
	66																
	29																
	32	1	1														
	35	26	24	24	23	23	21	21	21	20	20	18	18	17	17	15	
	38	50	49	49	47	47	46	46	44	44	43	43	42	42	40	40	
	41	73	73	72	72	71	71	69	69	68	68	66	66	65	65	63	
	44	87	87	87	87	87	87	87	87	87	87	87	87	87	87	87	87
	47	87	87	87	87	87	87	87	87	87	87	87	87	87	87	87	87
	50																
	53																

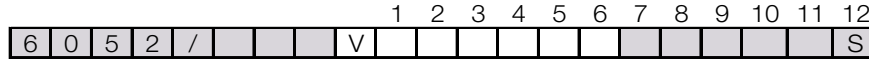
The specified control pressures for NO valves may be exceeded by a maximum of 3 psi

# Hygienic Right Angle Valve 6052



with 3A-conformance

## Ordering number system



1 - 6 : Please note all 6 sections.  
7 - 12: Quote only if required.

Symbol: "V": Valve  
"R": Repair kit (sealings)

1.	Design	2.	Connections	3.	Body material	4.	Cone, diaphragm	5.	Positioner	6.	Actuator	7.	Special version
A	Hygienic right angle valve with 3A conformance	E	Welding ends acc. Inch	7	stainless steel 316L surface roughness inside Ra <0,6µm Stainless steel 316L electropolished Ra< 0.4 µm	P	Plug made of PEEK and diaphragm made of EPDM with PTFE foil on the fluid side	- C R W K Y N	without dig. positioner, Type 8049, 4-wire dig. positioner, Type 8049, 2-wire dig. positioner, type 8049 ExPro, ATEX, IECEX dig. positioner, type 8049 ExPro-FM base plate in stainless steel; IS Cl. I Div. 1, Cl. I Zone 0 AEX ia dig. positioner, type 8049 ExPro-FM base plate in stainless steel; NI Cl. I Div. 2 dig. positioner, type 8049 IO-Link version	8 9 D	piston Ø 3" with stainless steel bonnet piston Ø 5" with stainless steel bonnet diaphragm actuator D10"	M	if additional positions are occupied

8.	Springs	9.	Flow characteristic	10.	Kvs-value	11.	Accessories	12.	Special version	13.	Positioner version	14.	Positioner settings
- R T 1	Standard 4 springs (D10") 6 springs (D10") spring opens	- 1	linear equal	- A 1 2 3 4 5 6	full (100 %) red. 63 % red. 40 % red. 25 % red. 16 % red. 10 % red. 6,3 % red. 4 %	-	without	S	Quotes for further special versions	C E	Positioner 8049 with stainless steel base plate Positioner 8049 made of stainless steel	- 1 7	without split range - Adjustment according to customer specifications Positioner adjustment 0-10V

15.	positioner-accessories	16.	Attachments	17.	Alternative	18.	Special treatment	20.	Special additional version
- N Y	without feedback module RM2 feedback module RM4	-	without	- 0 1 3	Standard polished stainless steel actuator bonnet fittings and pilot tube plastic (PA) fittings and pilot tube stainless steel 1.4571(AISI 316Ti)	-	without		

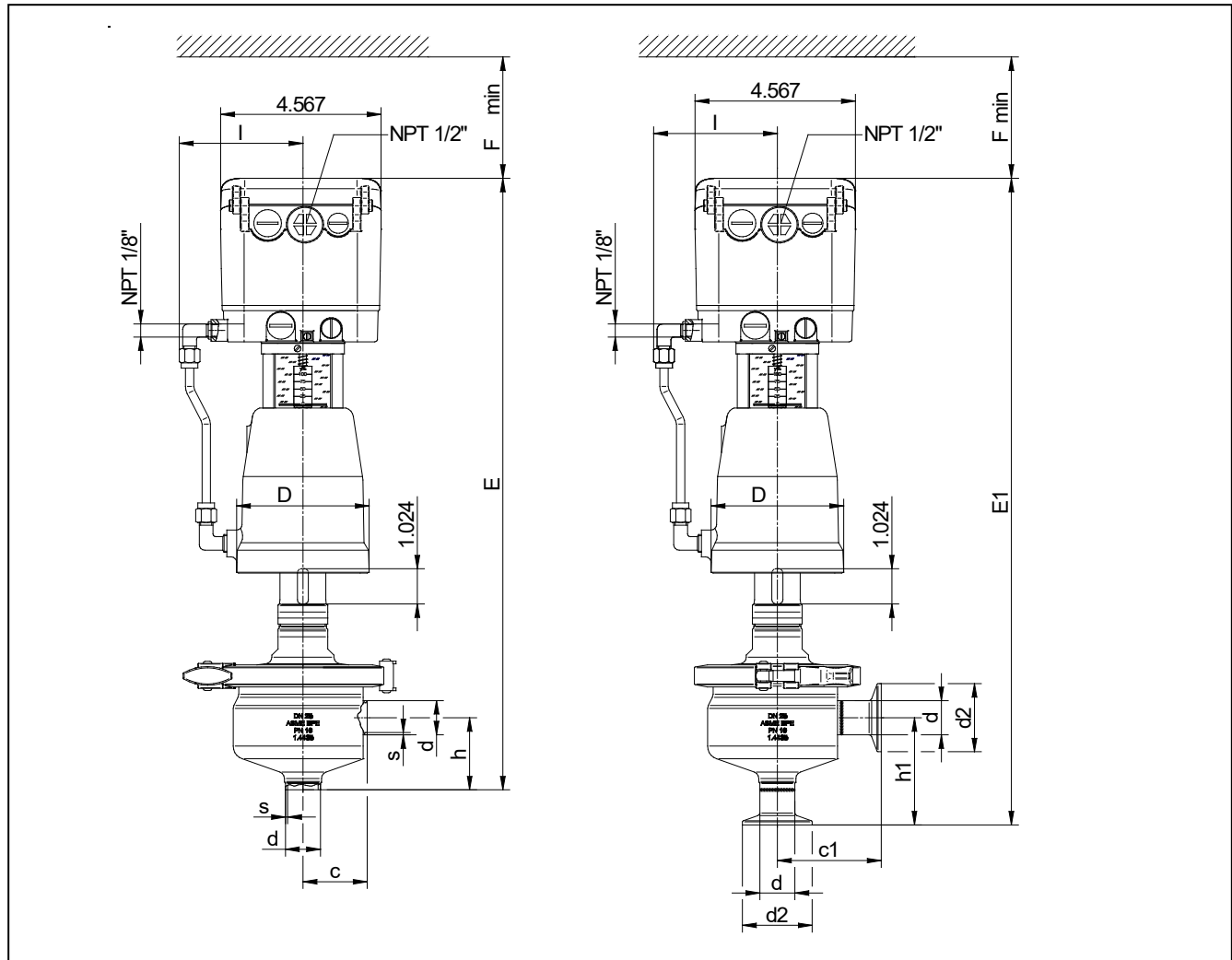
# Hygienic Right Angle Valve 6052



with 3A-conformance

## Dimensions and weights

Control valve with piston actuator NC and positioner Type 8049



Size	Actuator	D	Welding ends acc. ASME BPE				Tri-Clamp acc. ASME BPE			
			s	d	c	h	d	d2	c1	h1
1/2"	3"	3.78	0.06	0.5	1.83	2.42	0.5	0.98	2.81	3.37
3/4"	3"	3.78	0.06	0.75	1.83	2.11	0.75	0.98	2.81	3.27
1"	3"	3.78	0.06	1	1.83	2.11	1	1.99	2.96	3.13
1"	5"	5.75	0.06	1	1.83	2.11	1	1.99	2.96	3.13
1 1/2"	3"	3.78	0.06	1.5	1.95	2.15	1.5	1.99	3.43	3.9
1 1/2"	5"	5.75	0.06	1.5	1.95	2.15	1.5	1.99	3.43	3.9
2"	3"	3.78	0.06	2	2.01	2.32	2	2.52	3.5	3.5
2"	5"	5.75	0.06	2	2.01	2.32	2	2.52	3.5	3.5

Size	Actuator	I	E	E1	F	Weight [lbs]
1/2"	3"	3.54	17.97	18.92	3.54	15.4
3/4"	3"	3.54	17.78	18.92	3.54	15.4
1"	3"	3.54	17.89	18.92	3.54	15.7
1"	5"	4.13	18.68	19.7	3.54	21.6
1 1/2"	3"	3.54	18.09	19.86	3.94	16.8
1 1/2"	5"	4.13	18.88	20.65	3.94	22.7
2"	3"	3.54	18.48	19.7	4.72	17.6
2"	5"	4.13	19.27	20.49	4.72	23.6

Dimensions in inch



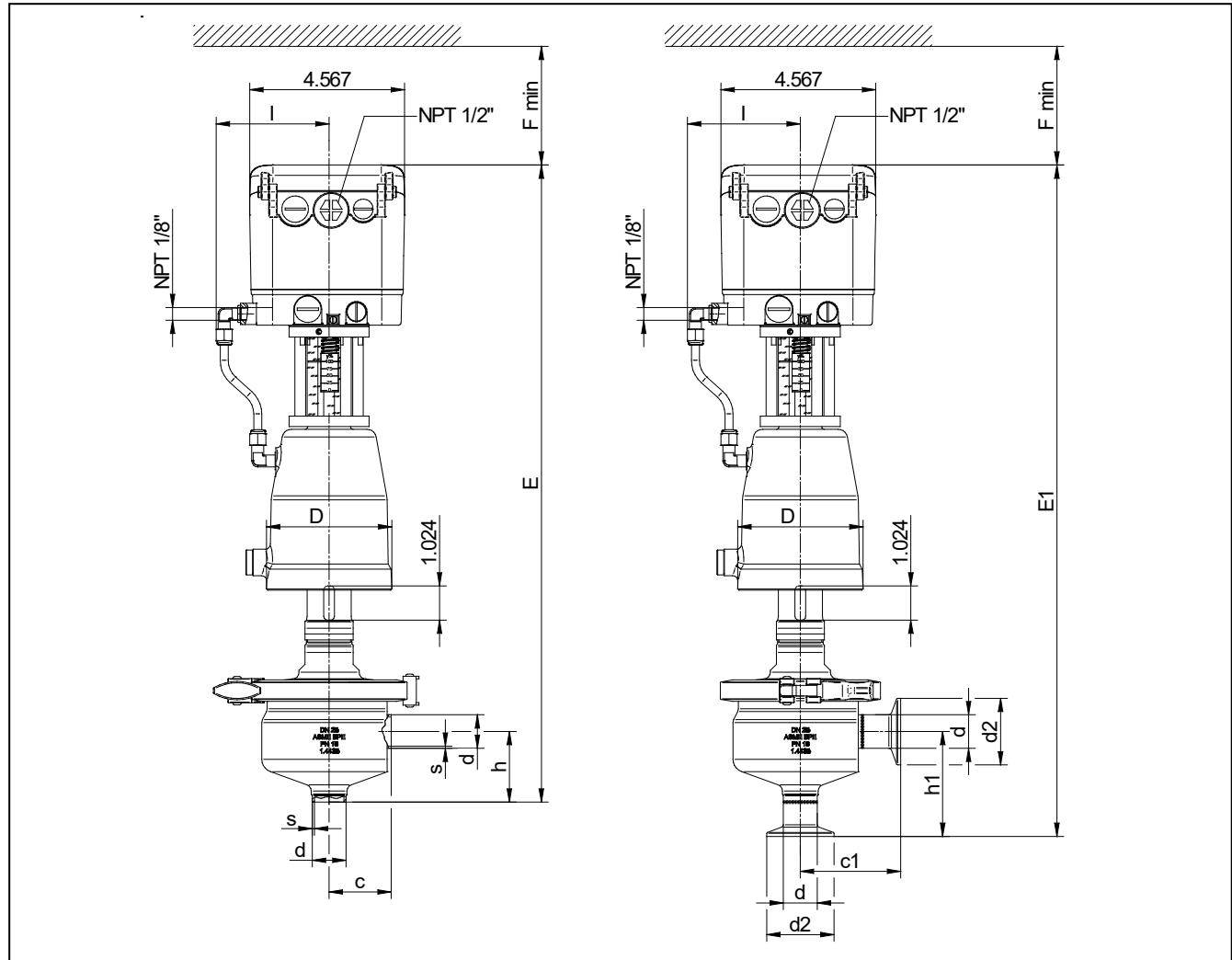
# Hygienic Right Angle Valve 6052

with 3A-conformance



## Dimensions and weights

Control valve with piston actuator NO and positioner Type 8049



Size	Actuator	D	Welding ends acc. ASME BPE				Tri-Clamp acc. ASME BPE			
			s	d	c	h	d	d2	c1	h1
1/2"	3"	3.78	0.06	0.5	1.83	2.42	0.5	0.98	2.81	3.37
3/4"	3"	3.78	0.06	0.75	1.83	2.11	0.75	0.98	2.81	3.27
1"	3"	3.78	0.06	1	1.83	2.11	1	1.99	2.96	3.13
1"	5"	5.75	0.06	1	1.83	2.11	1	1.99	2.96	3.13
1 1/2"	3"	3.78	0.06	1.5	1.95	2.15	1.5	1.99	3.43	3.9
1 1/2"	5"	5.75	0.06	1.5	1.95	2.15	1.5	1.99	3.43	3.9
2"	3"	3.78	0.06	2	2.01	2.32	2	2.52	3.5	3.5
2"	5"	5.75	0.06	2	2.01	2.32	2	2.52	3.5	3.5

Size	Actuator	I	E	E1	F	Weight [lbs]
1/2"	3"	3.54	19.11	18.92	3.54	15.4
3/4"	3"	3.54	18.92	18.92	3.54	15.4
1"	3"	3.54	19.04	18.92	3.54	15.7
1"	5"	4.13	19.82	19.7	3.54	21.6
1 1/2"	3"	3.54	19.23	19.86	3.94	16.8
1 1/2"	5"	4.13	20.02	20.65	3.94	22.7
2"	3"	3.54	19.63	19.7	4.72	17.6
2"	5"	4.13	20.41	20.49	4.72	23.6

Dimensions in inch

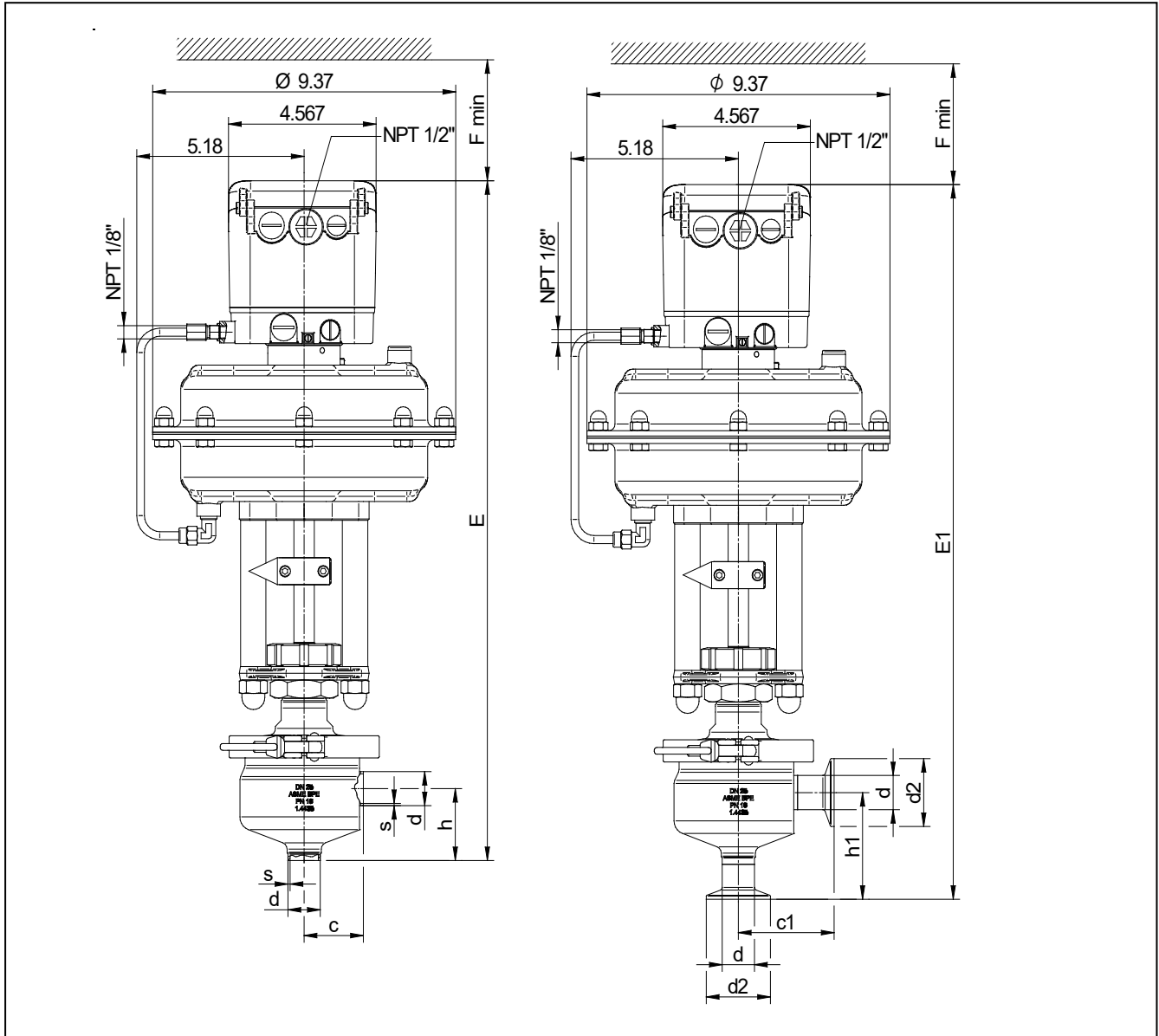
# Hygienic Right Angle Valve 6052



with 3A-conformance

## Dimensions and weights

Control valve with diaphragm actuator NC and positioner Type 8049



Size	Actuator	Welding ends acc. ASME BPE				Tri-Clamp acc. ASME BPE			
		s	d	c	h	d	d2	c1	h1
1/2"	10"	0.06	0.5	1.83	2.42	0.5	0.98	2.81	3.37
3/4"	10"	0.06	0.75	1.83	2.11	0.75	0.98	2.81	3.27
1"	10"	0.06	1	1.83	2.11	1	1.99	2.96	3.13
1 1/2"	10"	0.06	1.5	1.95	2.15	1.5	1.99	3.43	3.9
2"	10"	0.06	2	2.01	2.32	2	2.52	3.5	3.5

Size	Actuator	E	E1	F	Weight [lbs]
1/2"	10"	20.08	20.98	3.54	34.2
3/4"	10"	19.88	20.98	3.54	34.2
1"	10"	20	20.98	3.54	34.6
1 1/2"	10"	20.2	21.93	3.94	36.4
2"	10"	20.59	21.77	4.72	36.8

dimensions in inch

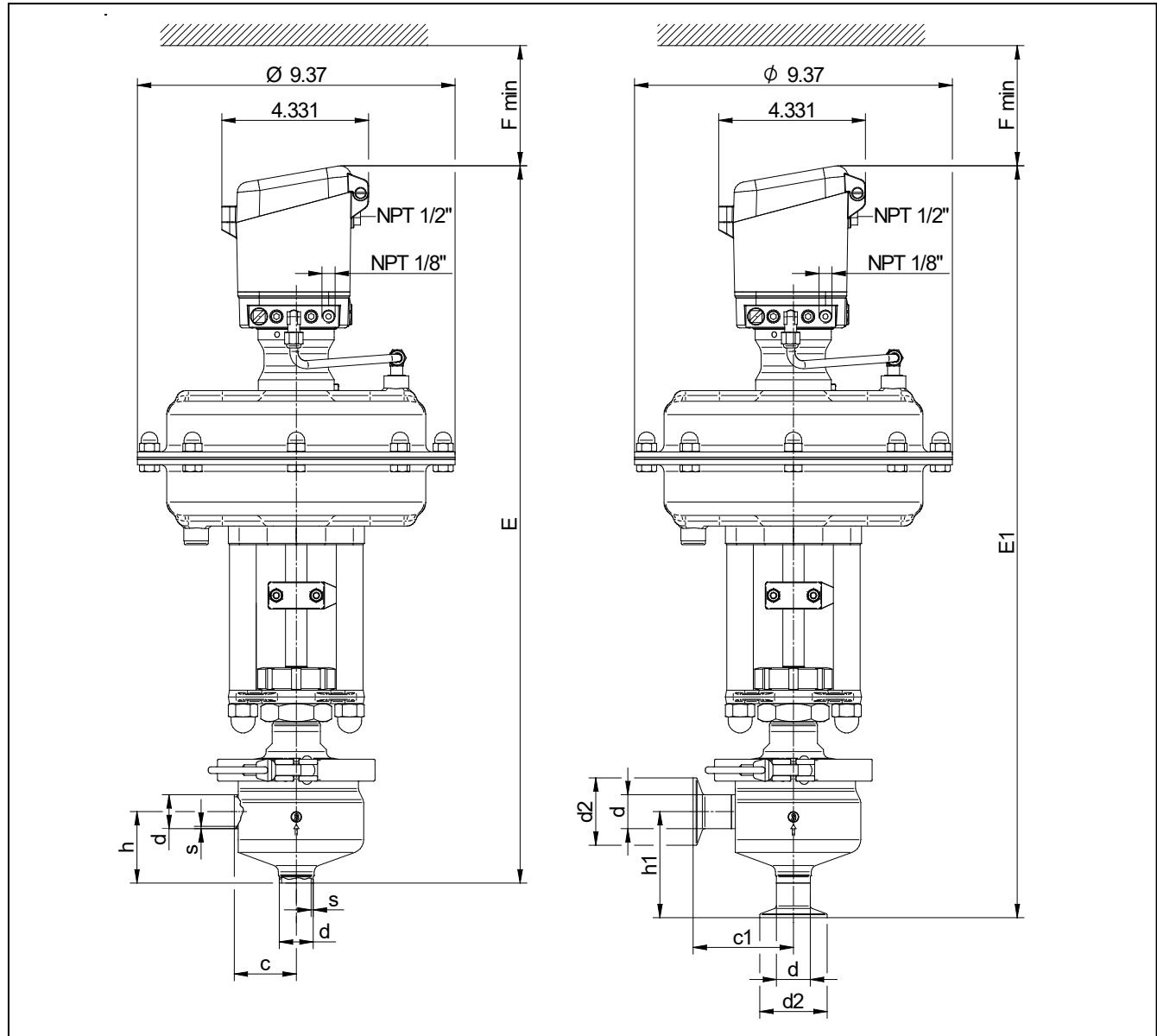
# Hygienic Right Angle Valve 6052



with 3A-conformance

## Dimensions and weights

Control valve with diaphragm actuator NO and positioner Type 8049



Size	Actuator	Welding ends acc. ASME BPE				Tri-Clamp acc. ASME BPE			
		s	d	c	h	d	d2	c1	h1
1/2"	10"	0.06	0.5	1.83	2.42	0.5	0.98	2.81	3.37
3/4"	10"	0.06	0.75	1.83	2.11	0.75	0.98	2.81	3.27
1"	10"	0.06	1	1.83	2.11	1	1.99	2.96	3.13
1 1/2"	10"	0.06	1.5	1.95	2.15	1.5	1.99	3.43	3.9
2"	10"	0.06	2	2.01	2.32	2	2.52	3.5	3.5

Size	Actuator	E	E1	F	Weight [lbs]
1/2"	10"	20.08	22.17	3.54	34.2
3/4"	10"	19.88	22.17	3.54	34.2
1"	10"	20	22.17	3.54	34.6
1 1/2"	10"	20.2	23.11	3.94	36.4
2"	10"	20.59	22.95	4.72	36.8

Dimensions in inch

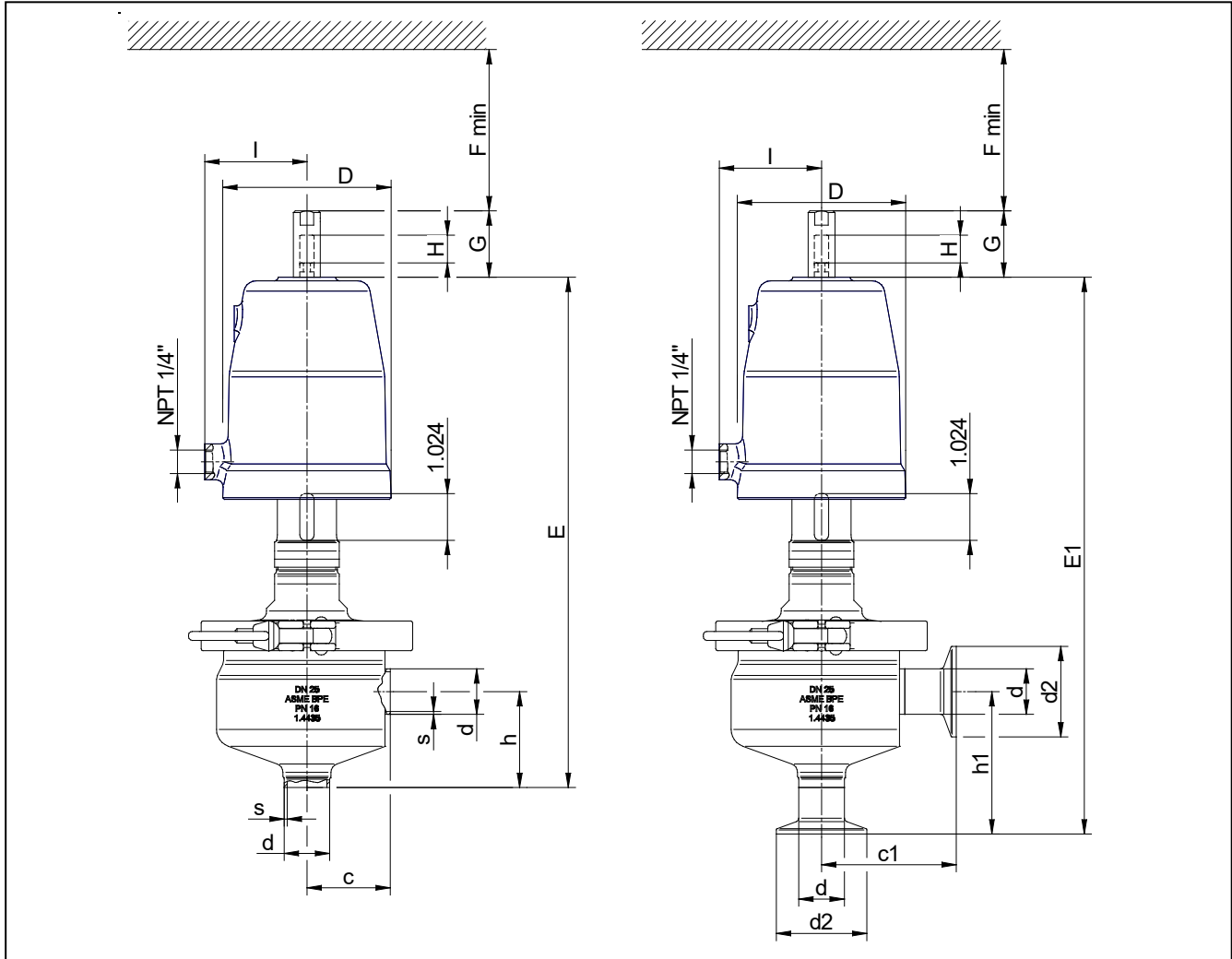
# Hygienic Right Angle Valve 6052



with 3A-conformance

## Dimensions and weights

Shut-off valve with piston actuator NC



Size	Actuator	D	Welding ends acc. ASME BPE				Tri-Clamp acc. ASME BPE			
			s	d	c	h	d	d2	c1	h1
1/2"	3"	3.78	0.06	0.5	1.83	2.42	0.5	0.98	2.81	3.37
3/4"	3"	3.78	0.06	0.75	1.83	2.11	0.75	0.98	2.81	3.27
1"	3"	3.78	0.06	1	1.83	2.11	1	1.99	2.96	3.13
1"	5"	5.75	0.06	1	1.83	2.11	1	1.99	2.96	3.13
1 1/2"	3"	3.78	0.06	1.5	1.95	2.15	1.5	1.99	3.43	3.9
1 1/2"	5"	5.75	0.06	1.5	1.95	2.15	1.5	1.99	3.43	3.9
2"	3"	3.78	0.06	2	2.01	2.32	2	2.52	3.5	3.5
2"	5"	5.75	0.06	2	2.01	2.32	2	2.52	3.5	3.5

Size	Actuator	I	E	E1	G	H (Stroke)	F	Weight [lbs]
1/2"	3"	3.54	11.3	12.32	1.46	0.63	3.54	13.2
3/4"	3"	3.54	11.1	12.13	1.46	0.63	3.54	13.2
1"	3"	3.54	11.22	12.24	1.46	0.63	3.54	13.2
1"	5"	4.13	12.17	13.19	1.46	0.63	3.54	19.4
1 1/2"	3"	3.54	11.46	12.48	1.46	0.63	3.94	14.6
1 1/2"	5"	4.13	12.4	13.43	1.46	0.63	3.94	20.5
2"	3"	3.54	11.85	12.87	1.46	0.63	4.72	15.4
2"	5"	4.13	12.8	13.82	1.46	0.63	4.72	21.4

Dimensions in inch

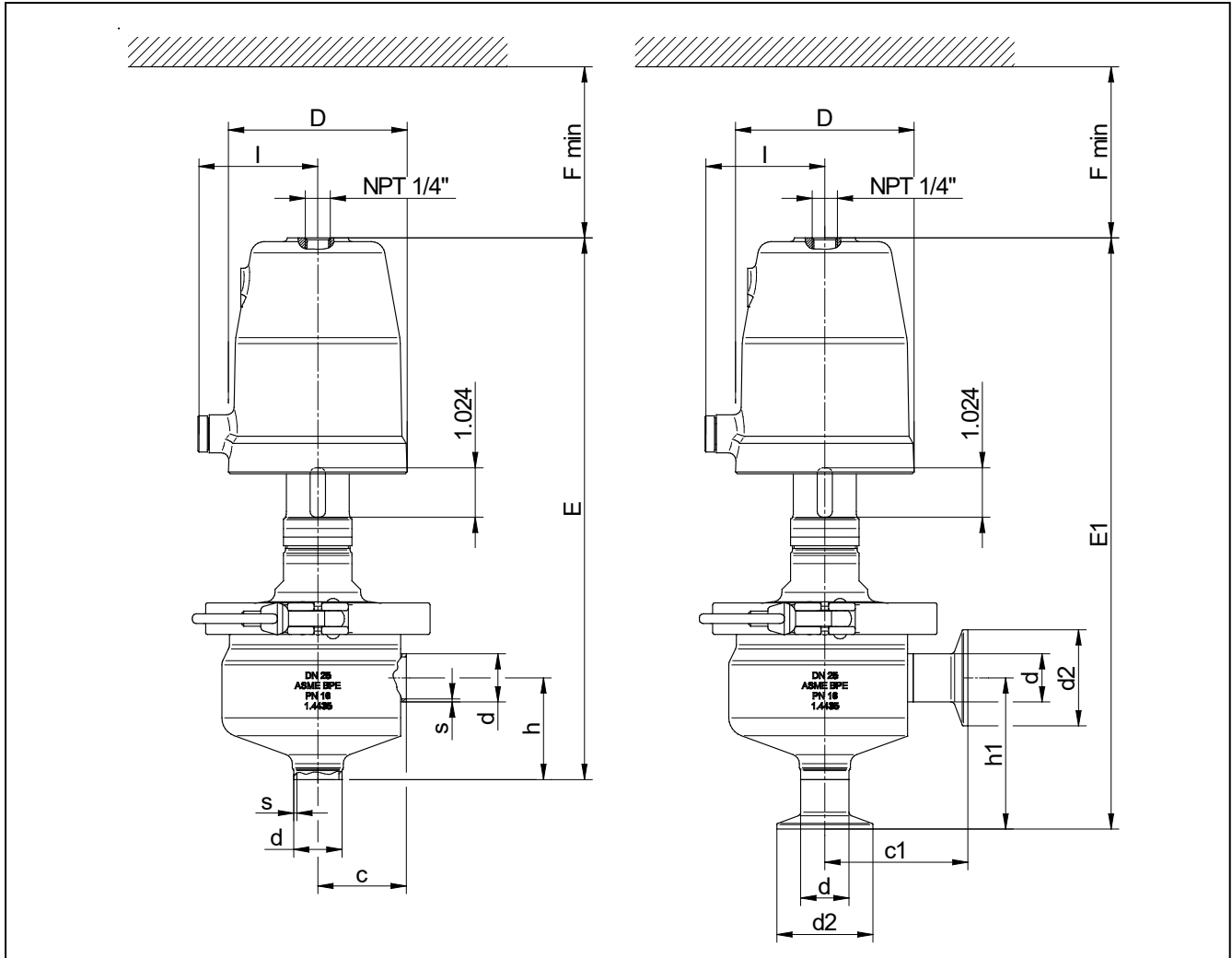
# Hygienic Right Angle Valve 6052



with 3A-conformance

## Dimensions and weights

Shut-off valve with piston actuator NO



Size	Actuator	D	Welding ends acc. ASME BPE				Tri-Clamp acc. ASME BPE			
			s	d	c	h	d	d2	c1	h1
1/2"	3"	3.78	0.06	0.5	1.83	2.42	0.5	0.98	2.81	3.37
3/4"	3"	3.78	0.06	0.75	1.83	2.11	0.75	0.98	2.81	3.27
1"	3"	3.78	0.06	1	1.83	2.11	1	1.99	2.96	3.13
1"	5"	5.75	0.06	1	1.83	2.11	1	1.99	2.96	3.13
1 1/2"	3"	3.78	0.06	1.5	1.95	2.15	1.5	1.99	3.43	3.9
1 1/2"	5"	5.75	0.06	1.5	1.95	2.15	1.5	1.99	3.43	3.9
2"	3"	3.78	0.06	2	2.01	2.32	2	2.52	3.5	3.5
2"	5"	5.75	0.06	2	2.01	2.32	2	2.52	3.5	3.5

Size	Actuator	I	E	E1	G	H (Stroke)	F	Weight [lbs]
1/2"	3"	3.54	11.3	12.32	1.46	0.63	3.54	13.2
3/4"	3"	3.54	11.1	12.13	1.46	0.63	3.54	13.2
1"	3"	3.54	11.22	12.24	1.46	0.63	3.54	13.2
1"	5"	4.13	12.17	13.19	1.46	0.63	3.54	19.4
1 1/2"	3"	3.54	11.46	12.48	1.46	0.63	3.94	14.6
1 1/2"	5"	4.13	12.4	13.43	1.46	0.63	3.94	20.5
2"	3"	3.54	11.85	12.87	1.46	0.63	4.72	15.4
2"	5"	4.13	12.8	13.82	1.46	0.63	4.72	21.4

Dimensions in inch

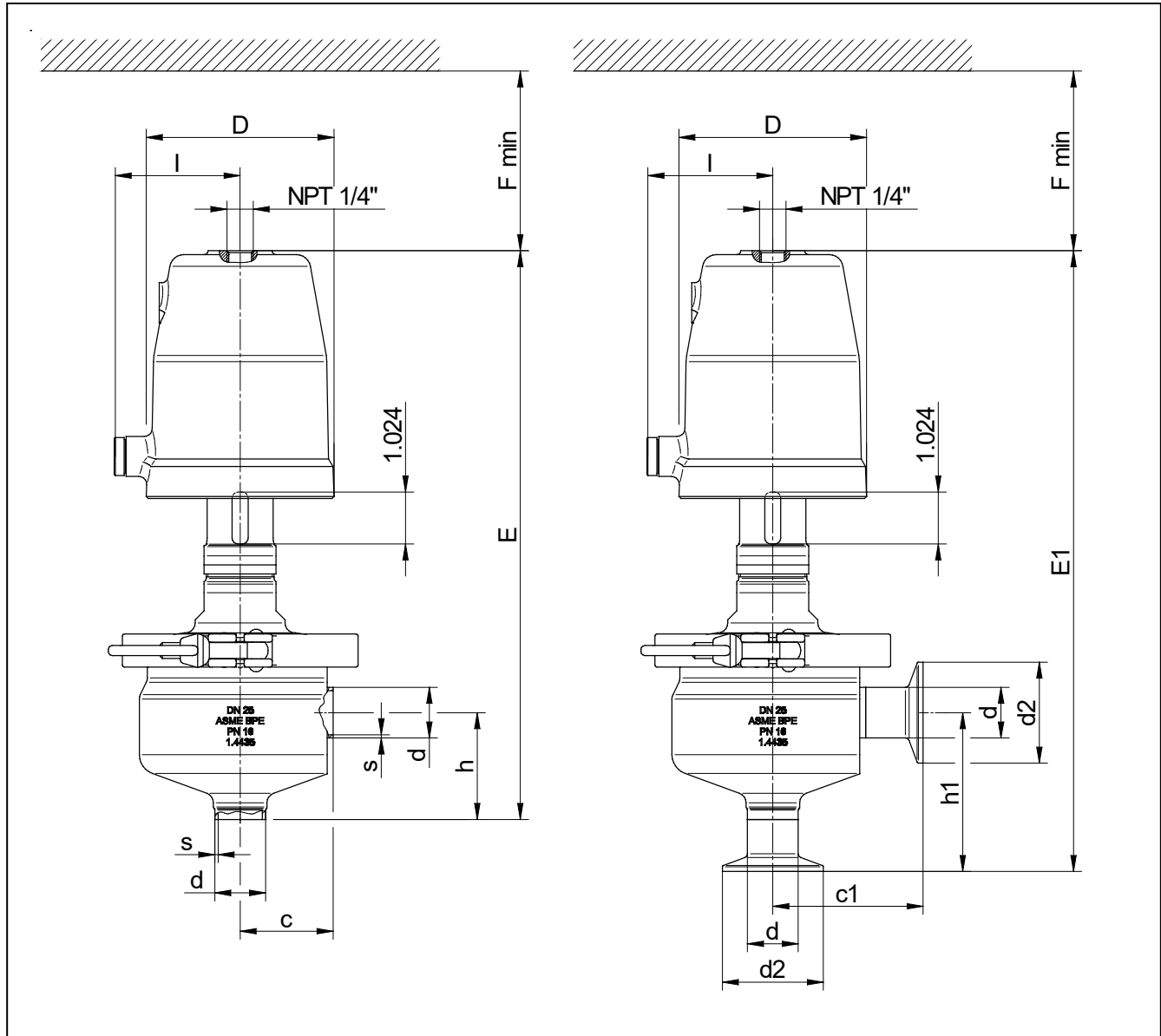
# Hygienic Right Angle Valve 6052



with 3A-conformance

## Dimensions and weights

Shut-off valve with diaphragm actuator NC



Size	Actuator	Welding ends acc. ASME BPE				Tri-Clamp acc. ASME BPE			
		s	d	c	h	d	d2	c1	h1
1/2"	10"	0.06	0.5	1.83	2.42	0.5	0.98	2.81	3.37
3/4"	10"	0.06	0.75	1.83	2.11	0.75	0.98	2.81	3.27
1"	10"	0.06	1	1.83	2.11	1	1.99	2.96	3.13
1 1/2"	10"	0.06	1.5	1.95	2.15	1.5	1.99	3.43	3.9
2"	10"	0.06	2	2.01	2.32	2	2.52	3.5	3.5

Size	Actuator	E	E1	F	Weight [lbs]
1/2"	10"	15.43	15.79	3.54	34.2
3/4"	10"	15.24	15.79	3.54	34.2
1"	10"	15.35	15.79	3.54	34.6
1 1/2"	10"	15.55	16.73	3.94	36.4
2"	10"	15.94	16.54	4.72	36.8

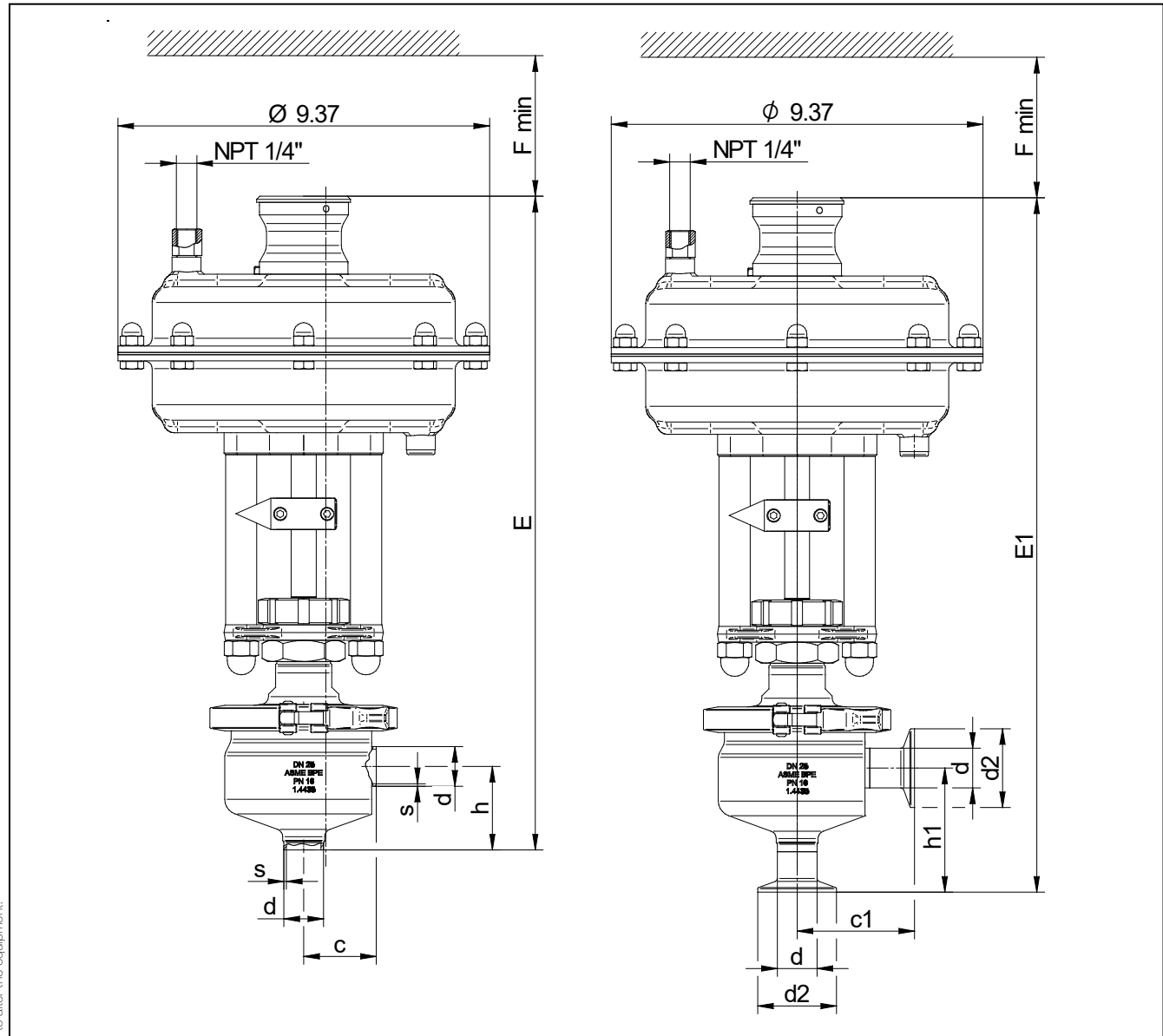
Dimensions in inch

# Hygienic Right Angle Valve 6052

with 3A-conformance

## Dimensions and weights

Shut-off valve with diaphragm actuator NO



Size	Actuator	Welding ends acc. ASME BPE				Tri-Clamp acc. ASME BPE			
		s	d	c	h	d	d2	c1	h1
1/2"	10"	0.06	0.5	1.83	2.42	0.5	0.98	2.81	3.37
3/4"	10"	0.06	0.75	1.83	2.11	0.75	0.98	2.81	3.27
1"	10"	0.06	1	1.83	2.11	1	1.99	2.96	3.13
1 1/2"	10"	0.06	1.5	1.95	2.15	1.5	1.99	3.43	3.9
2"	10"	0.06	2	2.01	2.32	2	2.52	3.5	3.5

Size	Actuator	E	E1	F	Weight [lbs]
1/2"	10"	20.08	22.17	3.54	34.2
3/4"	10"	19.88	22.17	3.54	34.2
1"	10"	20	22.17	3.54	34.6
1 1/2"	10"	20.2	23.11	3.94	36.4
2"	10"	20.59	22.95	4.72	36.8

Dimensions in inch

Text and pictures are not binding. We reserve the right to alter the equipment.