

# Volume booster 4090

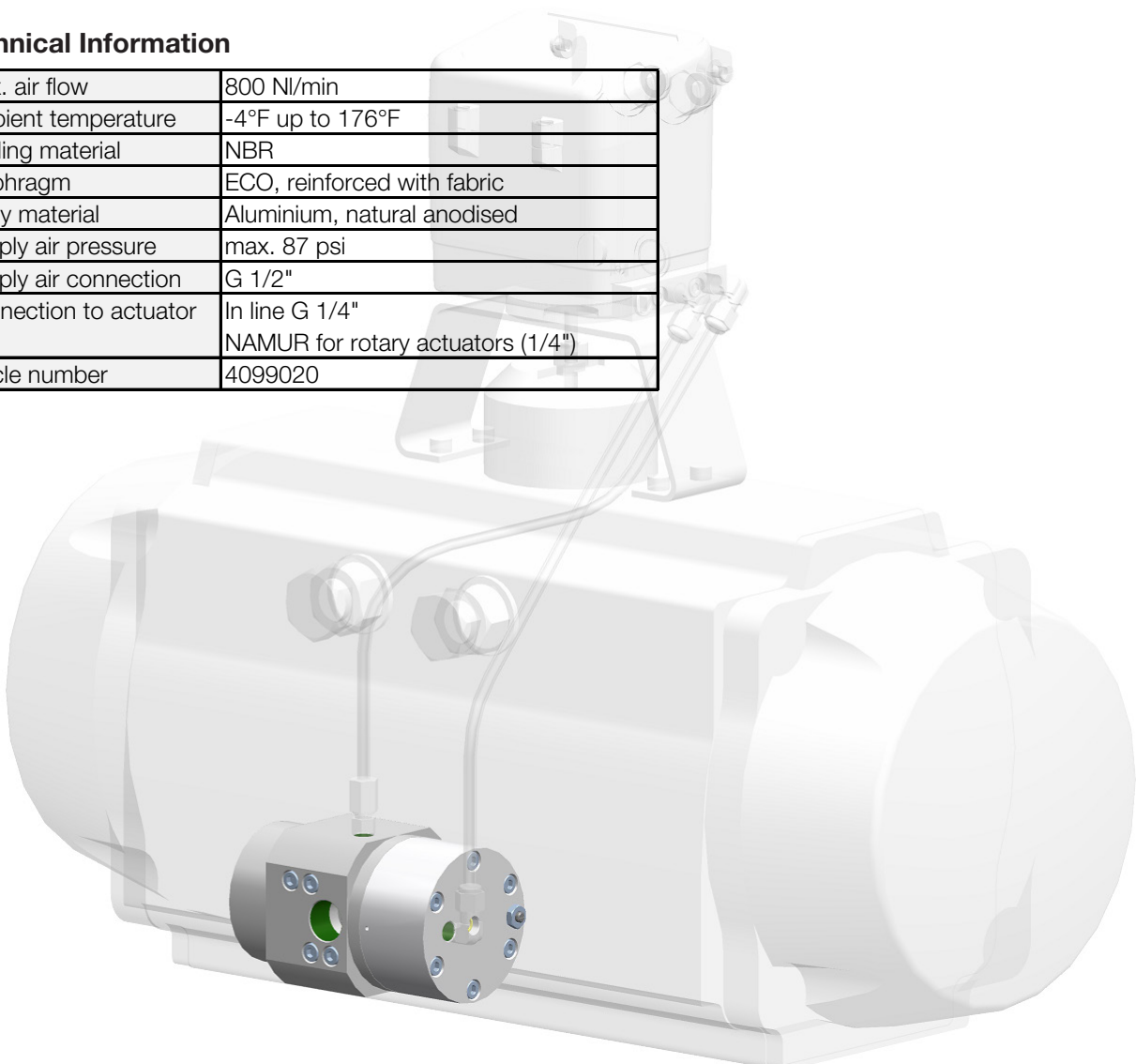
**High precision volume booster to amplify the air flow of the set point signal from the positioner.**

- Compact design
- Adjustable sensitivity of the bypass
- For large volume rotary and linear actuators
- Connection either inline or per NAMUR for rotary actuators
- Exhaust air filter to minimise noise
- Connection for supply air to positioner

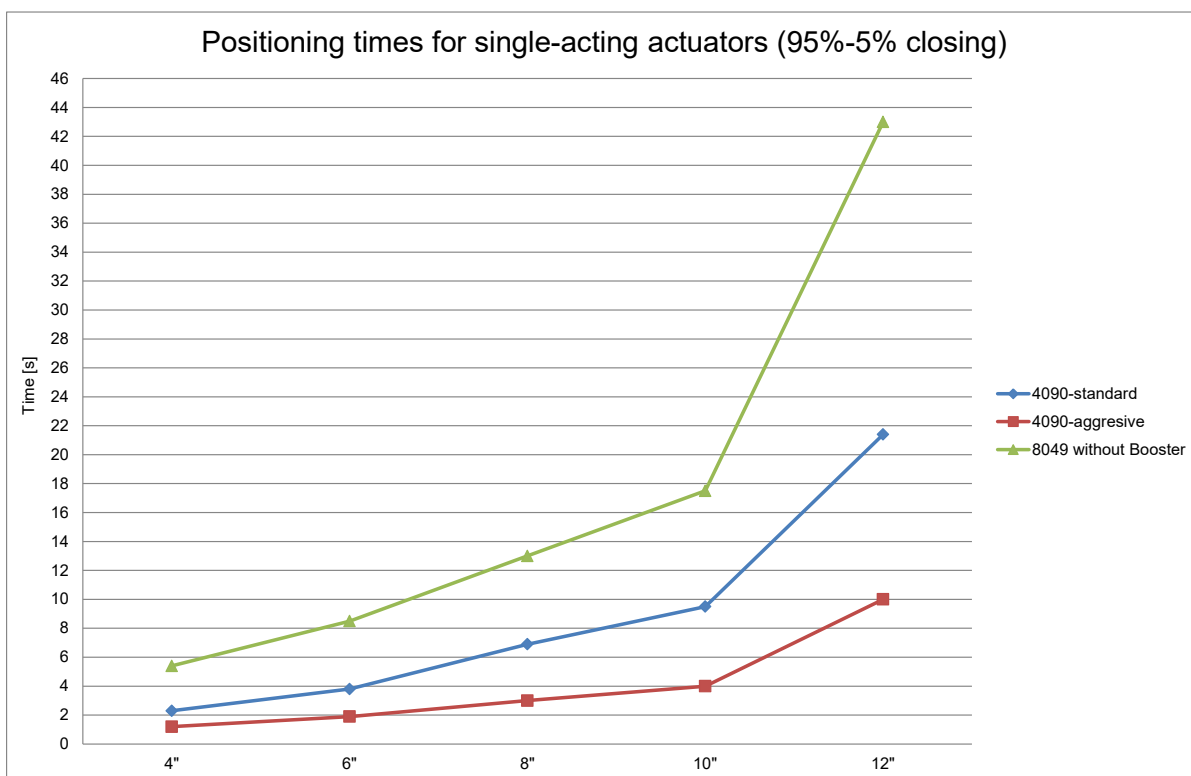
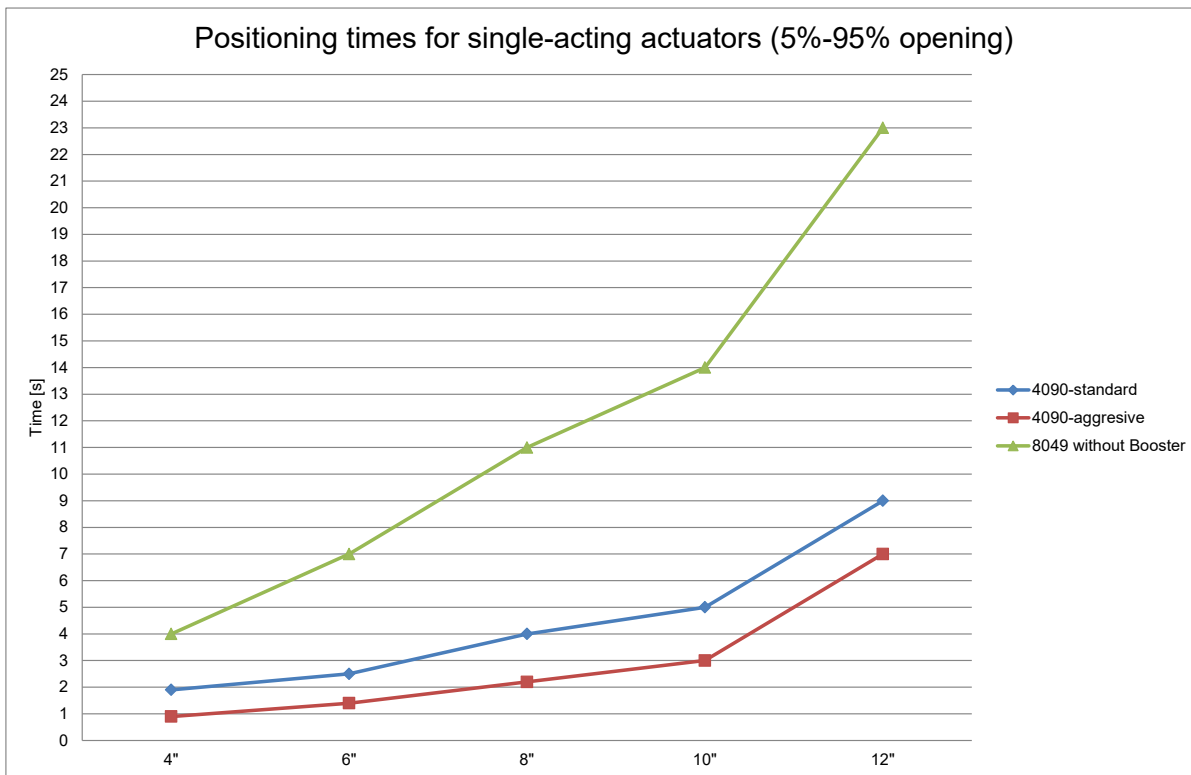


## Technical Information

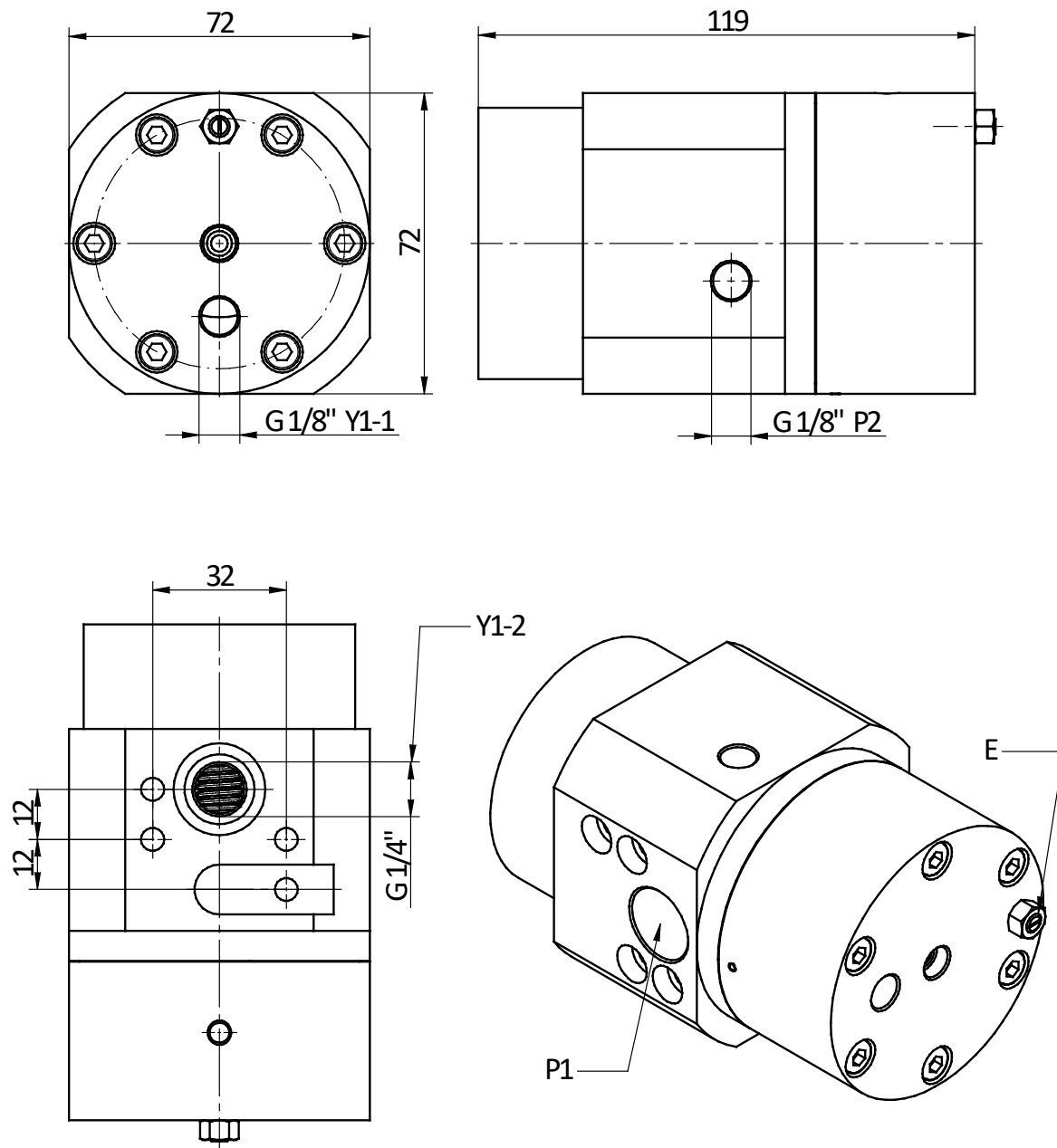
Max. air flow	800 NI/min
Ambient temperature	-4°F up to 176°F
Sealing material	NBR
Diaphragm	ECO, reinforced with fabric
Body material	Aluminium, natural anodised
Supply air pressure	max. 87 psi
Supply air connection	G 1/2"
Connection to actuator	In line G 1/4" NAMUR for rotary actuators (1/4")
Article number	4099020



## Positioning times, measured on a Type 4040 ball sector valve



## Size / Connection



Y1-1	Set point signal connection from controller G 1/8"
Y1-2	Connection to actuator G 1/4"
P1	Supply air max. 87 psi G 1/2"
P2	Supply air to controller G 1/8"
E	Sensitivity adjustment
Turn clockwise	Sensitivity is increased
Turn anticlockwise	Sensitivity is reduced

Text and pictures are not binding. We reserve the right, to alter the equipment.