

Ball Sector Valve 4040

1" up to 12"

Pneumatic control valve for the control of neutral and aggressive fluids with integrated positioner

- 1" up to 12"
- High Cv-values up to 4454
- Excellent control characteristics
- Suitable for abrasive media
- Easily exchangeable seat ring
- Low maintenance
- Actuators can be easily fitted
- Efficient and easy to install
- Optional volume booster Type 4090 (from 6") in order to reduce the response time
- Optional with face to face dimension acc. ANSI ISA 75.08.02



Technical Information Valve

Design	1" - 10" flangeless wafer type 12" flange connection		
Nominal sizes	1" up to 12"		
Body material	cast parts	CF8M (1.4408)	
	turned parts	316 L (1.4404)	
Material of the bearing shaft	1.4122		
Bearing material	high temperature plain bearing		
Connection to the actuator	mounting kit DIN/ISO 5211		
Nominal pressure	1" - 2"	ANSI150, ANSI 300, 580 psi (for flanges 145 psi - 580 psi)	
	2 1/2" - 4"	ANSI150, ANSI 300, 580 psi (for flanges 145 psi - 365 psi), optional 580 psi	
	5" - 10"	ANSI150, 235 psi (for flanges 145 psi - 235 psi), optional 365 psi	
	12"	PN16, ANSI 150	
Fluid Temperature	-40°F up to +428°F	depending on the sealings	
Ambient temperature	-4°F up to +176°F	depending on the sealings	
	special version on request		
Vacuum	up to 1,48 mercury (Hg)		
Characteristic	almost equal percentage		
Rangeability	300:1		
Specific leakage rate shaft and body sealing	series KS2, DN25-DN250: ISO FE-BH-CC3-SSA0-t(-40°C/+220°C)-PN40-ISO 15848-1 series KS1; DN300: ISO FE-BH-CC-SSA0-t(RT)-PN16-ISO 15848-1		
Leakage rate	Seat ring: PTFE / PEEK Ball sector: Polished stainless steel < 0,00001 IV-S1	Seat ring: PTFE / PEEK Ball sector: Hard chrome-plated stainless steel < 0,00005 IV-S1	Seat ring: Stellite Ball sector: Stainless steel hard chrome-plated and lapped < 0,0005 IV-S1
% of Kvs IEC 60534-4			

Working pressure max.

Nominal size	maximum differential pressure (delta p)									
	seat ring PTFE			seat ring PEEK				seat ring Stellite		
	up to 176°F	248°F	338°F	up to 176°F	248°F	338°F	428°F	up to 176°F	338°F	428°F
	psi	psi	psi	psi	psi	psi	psi	psi	psi	psi
1" - 2"	365	230	85	580	580	365	230	580	580	365
2 1/2" - 4"	230	175	75	365	365	230	145	365	365	230
5" - 12"	230	175	60	230	230	175	115	230	230	175

Actuators for mounting according DIN/ISO5211, pilot pressure 5 - 6 bar
(for less than 5 bar pilot pressure, please inform us)

Temperature limits

Seating	Sealing seating									
	Viton		EPDM		NBR		FFKM		PFA-Silicone	
	Tmin [°F]	Tmax [°F]	Tmin [°F]	Tmax [°F]	Tmin [°F]	Tmax [°F]	Tmin [°F]	Tmax [°F]	Tmin [°F]	Tmax [°F]
PTFE	5	338	-40	284	-22	212	5	338	-49	338
PEEK	5	392	-40	284	-22	212	5	428	-49	428
Stellite	5	392	-40	284	-22	212	5	428	-49	428

Operating time with positioner 8049

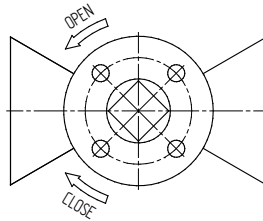
Size	manipulating time opening 5% to 95%			manipulating time closing 5% to 95%		
	Standard	with volume booster Type 4090	with external solenoid valves (1500NL)	Standard	with volume booster Type 4090	with external solenoid valves (1500NL)
4"	4 s	1.9 s	1 s	5.4 s	3 s	1.2 s
6"	7 s	2.5 s	1.5 s	8.5 s	4 s	1.6 s
8"	11 s	4 s	1.8 s	13 s	8 s	1.9 s
10"	14 s	5 s	2.5 s	17.5 s	10 s	2.6 s
12"	23 s	9 s	4.5 s	43 s	18 s	6 s

Cvs-Values

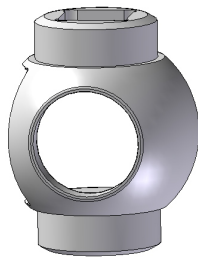
Size	Cvs-value reduced to					
	100%	63%	40%	25%	16%	6,3%
1"	29	14.7	9.2	6.2	4.2	1.7
1 1/2"	80.9	46.6	29			
2"	126	75.4	47.6			
2 1/2"	220.4					
3"	347					
4"	451					
5"	874					
6"	936					
8"	1578					
10"	2567					
12"	4439					

Torques and mounting kits for retrofitting actuators

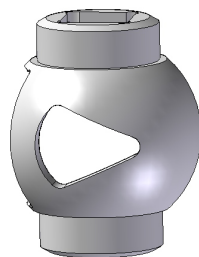
Size	rotation angle nominal	max. press. nominal PN	max. press. nominal ANSI	req. torque [lbf ft]		mounting kit ISO 5211 diagonal square shaft	
				on/off-operation	control operation	series 1	series 2
1"	90°	PN40	ANSI 300	11	18	F04/SW11	F05/SW14
1 1/2"	90°	PN40	ANSI 300	22	37	F05/SW14	F07/SW17
2"	90°	PN40	ANSI 300	22	37	F05/SW14	F07/SW17
2 1/2"	90°	PN25	ANSI 300	44	74	F07/SW17	F10/SW22
3"	90°	PN25	ANSI 300	44	74	F07/SW17	F10/SW22
4"	90°	PN25	ANSI 300	66	111	F07/SW17	F10/SW22
5"	90°	PN16	ANSI 150	111	184	F10/SW22	F12/SW27
6"	90°	PN16	ANSI 150	111	184	F10/SW22	F12/SW27
8"	90°	PN16	ANSI 150	155	258	F12/SW27	F14/SW36
10"	90°	PN16	ANSI 150	266	443	F12/SW27	F14/SW36
12"	90°	PN16	ANSI 150	664	1106	F14/SW36	F16/SW46



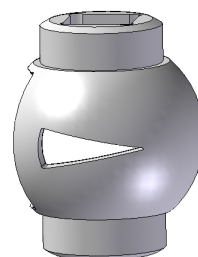
Ball Sector Valve with reduced Kvs-values



100%



reduced to
63%



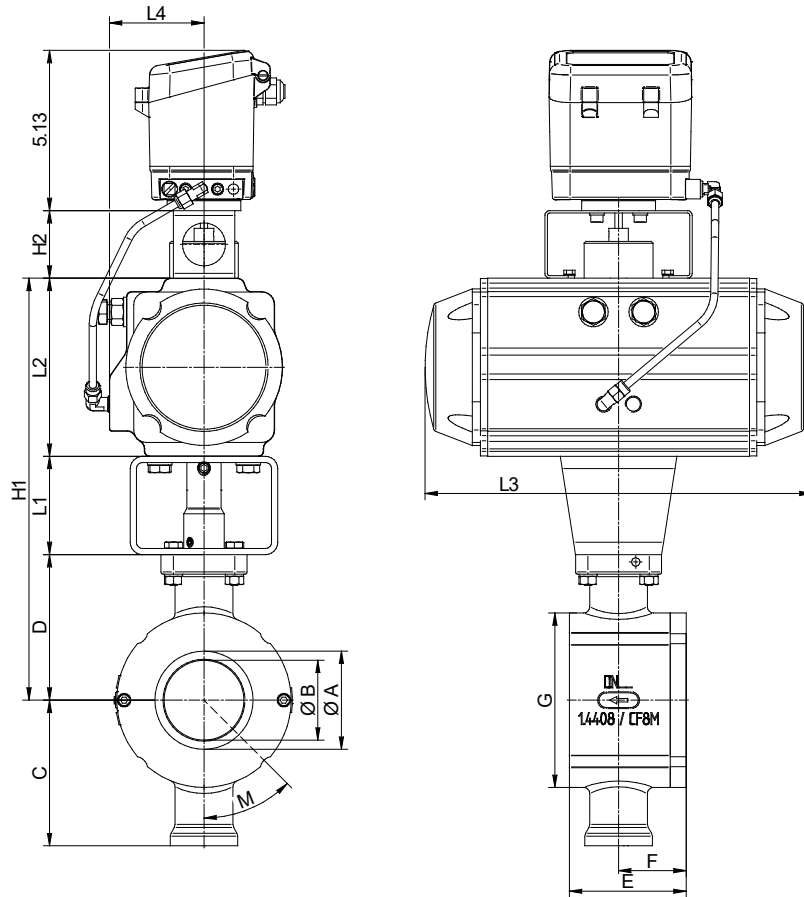
reduced to
25%

Ball Sector Valve Type 4040 with hand wheel gear box



Dimensions KS2 with actuator and positioner 8049

Sealing of the bearing shaft with PTFE-packing



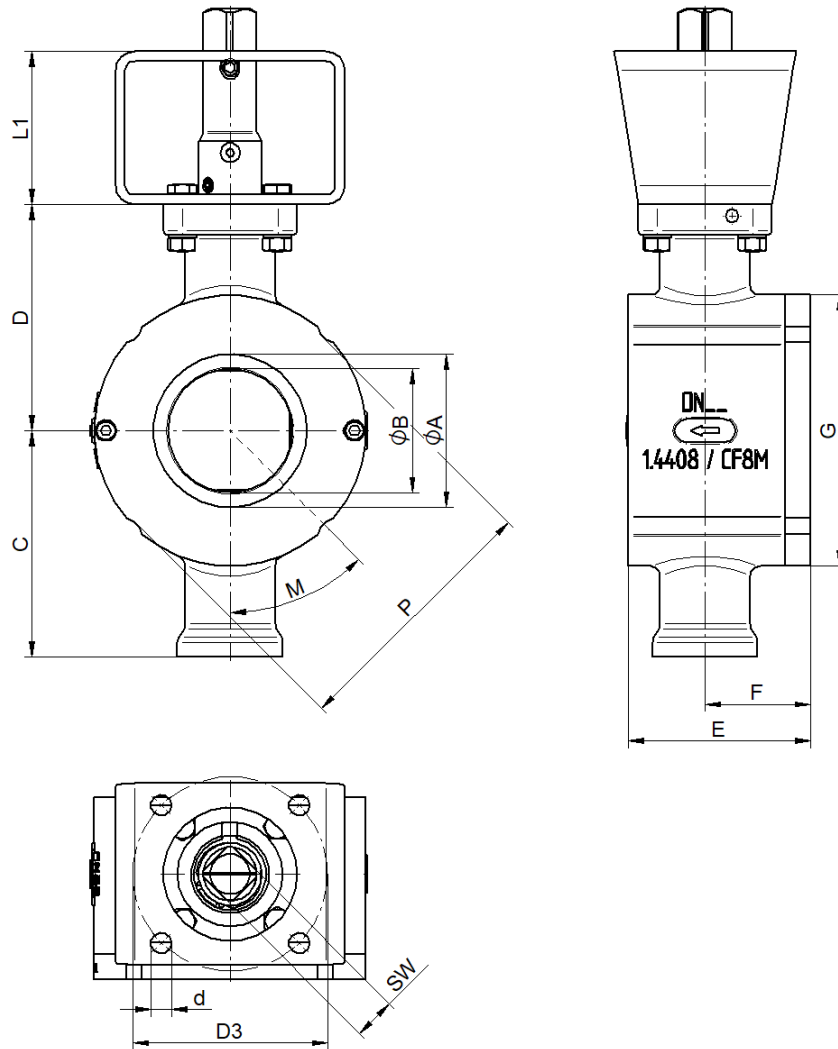
Size	actuator single acting						actuator double acting					
	L1	L2	L3	L4	H1	weight [lbs]	L1	L2	L3	L4	H1	weight [lbs]
1"	2.36	4.02	8.29	2.05	9.72	14	2.36	3.35	6.24	1.85	9.06	9.5
1 1/2"	2.36	4.53	9.74	2.24	10.51	18	2.36	4.02	8.29	2.05	10	14.8
2"	2.36	4.53	9.74	2.24	10.63	20	2.36	4.02	8.29	2.05	10.12	15.5
2 1/2"	3.15	5.71	12.4	3.03	13.41	37	2.36	4.53	9.74	2.12	11.44	25
3"	3.15	5.71	12.4	3.03	13.52	38	2.36	4.53	9.74	2.12	11.56	26.7
4"	3.15	6.18	13.58	3.23	14.43	53	2.36	5	10.57	2.64	12.46	38
5"	3.15	6.97	16.08	3.6	17.11	83	3.15	6.18	13.58	3.23	16.32	57.8
6"	3.15	6.97	16.08	3.6	17.48	90	3.15	6.18	13.58	3.23	16.69	75
8"	3.15	8.68	19.17	4.13	20.33	159	3.15	6.97	16.08	3.75	18.62	121.7
10"	3.15	9.65	21.38	4.41	22.32	240	3.15	7.72	17.22	3.9	20.39	187

Size	A	B	C	D	E	F	G	H2	Number of releases by pressure stage		
									PN	ANSI150	ANSI300
1"	0.98	0.79	3.35	3.35	1.97	1.02	2.95	1.77	4	4	4
1 1/2"	1.61	1.26	3.62	3.62	2.28	1.22	3.78	1.77	4	4	4
2"	2.09	1.57	3.74	3.74	2.8	1.5	4.41	1.77	4	4	0
2 1/2"	2.56	1.97	4.55	4.55	3.35	1.93	5.08	2.17	0	4	0
3"	3.15	2.56	4.67	4.67	3.74	2.17	5.59	2.17	0	4	0
4"	3.94	3.15	5.1	5.1	4.41	2.44	6.85	2.17	8	0	0
5"	3.94	4.92	6.99	6.99	5.83	3.35	7.87	2.17	8	8	-
6"	5.91	4.72	7.36	7.36	6.69	3.74	8.66	2.17	0	0	-
8"	7.87	6.1	8.5	8.5	8.27	4.72	10.85	2.95	0	0	-
10"	9.84	7.68	9.53	9.53	10.63	5.71	13.31	2.95	12	0	-

Dimensions in inch

Dimensions KS2 without actuator (with mounting kit ISO 5211)

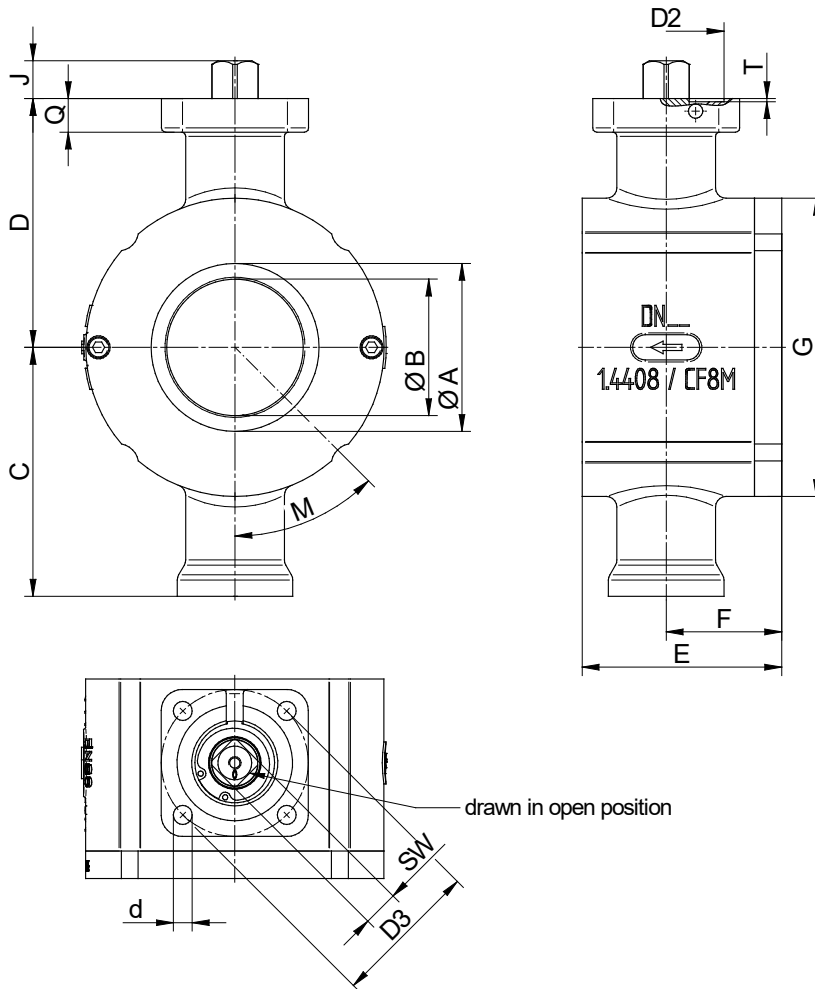
Sealing of the bearing shaft with PTFE-packing



DN	A	B	C	D	E	F	G	series 1				DIN ISO 5211	series 2				weight [lbs]	
								L1	SW	d	D3		L1	SW	d	D3		
1"	0.98	0.79	3.35	3.35	1.97	1.02	2.95	2.36	0.43	0.22	1.65	F 04	2.36	0.55	0.26	1.97	F 05	4.9
1 1/2"	1.61	1.26	3.62	3.62	2.28	1.22	3.78	2.36	0.55	0.26	1.97	F 05	2.36	0.67	0.35	2.76	F 07	6.6
2"	2.09	1.57	3.74	3.74	2.8	1.5	4.41	2.36	0.55	0.26	1.97	F 05	2.36	0.67	0.35	2.76	F 07	8.4
2 1/2"	2.56	1.97	4.55	4.55	3.35	1.93	5.08	2.36	0.67	0.35	2.76	F 07	3.15	0.87	0.43	4.02	F 10	14.1
3"	3.15	2.56	4.67	4.67	3.74	2.17	5.59	2.36	0.67	0.35	2.76	F 07	3.15	0.87	0.43	4.02	F 10	15.9
4"	3.94	3.15	5.1	5.1	4.41	2.44	6.85	2.36	0.67	0.35	2.76	F 07	3.15	0.87	0.43	4.02	F 10	24.3
5"	3.94	4.92	6.99	6.99	5.83	3.35	7.87	3.15	0.87	0.43	4.02	F 10	3.15	1.06	0.53	4.92	F 12	44.1
6"	5.91	4.72	7.36	7.36	6.69	3.74	8.66	3.15	0.87	0.43	4.02	F 10	3.15	1.06	0.53	4.92	F 12	50.7
8"	7.87	6.1	8.5	8.5	8.27	4.72	10.85	3.15	1.06	0.53	4.92	F 12	3.15	1.42	0.67	5.51	F 14	88.2
10"	9.84	7.68	9.53	9.53	10.63	5.71	13.31	3.15	1.06	0.53	4.92	F 12	3.15	1.42	0.67	5.51	F 14	145.5

Dimensions in inch

Dimensions KS2 without actuator version with square shaft

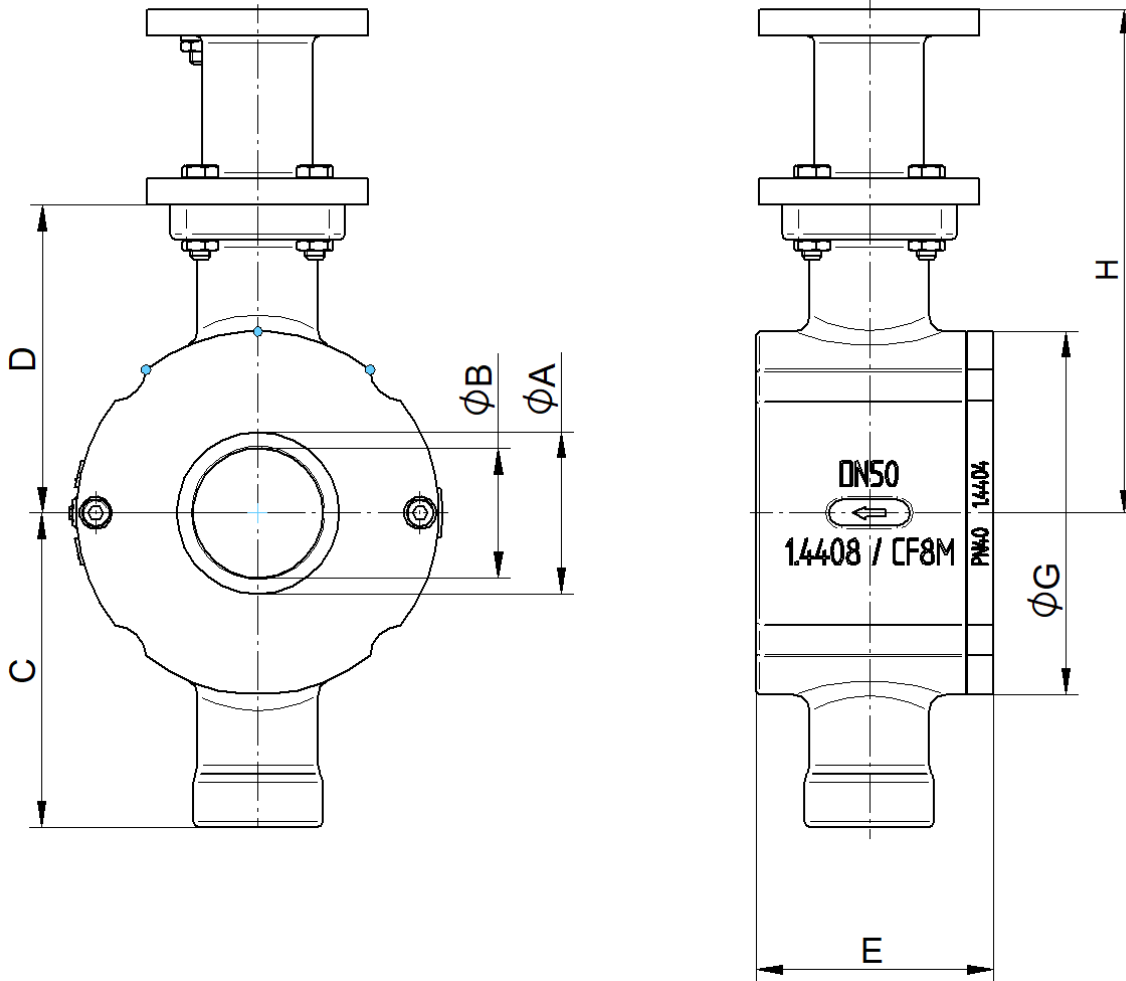


Size	A	B	C	D	E	F	J	SW	Q	d	D2	T	D3	DIN ISO 5211	Weight [lbs]
1"	0.98	0.79	3.35	3.35	1.97	1.02	0.59	0.55	0.43	0.26	1.38	0.04	1.97	F 05	4.9
1 1/2"	1.61	1.26	3.62	3.62	2.28	1.22	0.59	0.55	0.43	0.26	1.38	0.04	1.97	F 05	6.6
2"	2.09	1.57	3.74	3.74	2.8	1.5	0.59	0.55	0.43	0.26	1.38	0.04	1.97	F 05	8.4
2 1/2"	2.56	1.97	4.55	4.55	3.35	1.93	0.71	0.67	0.63	0.35	2.17	0.06	2.76	F 07	14
3"	3.15	2.56	4.67	4.67	3.74	2.17	0.71	0.67	0.63	0.35	2.17	0.06	2.76	F 07	16
4"	3.94	3.15	5.1	5.1	4.41	2.44	0.71	0.67	0.63	0.35	2.17	0.06	2.76	F 07	24
5"	3.94	4.92	6.99	6.99	5.83	3.35	0.89	0.87	0.67	0.43	2.76	0.06	4.02	F 10	44
6"	5.91	4.72	7.36	7.36	6.69	3.74	0.89	0.87	0.67	0.43	2.76	0.06	4.02	F 10	51
8"	7.87	6.1	8.5	8.5	8.27	4.72	1.08	1.06	0.67	0.53	3.35	0.06	4.92	F 12	88
10"	9.84	7.68	9.53	9.53	10.63	5.71	1.08	1.06	0.67	0.53	3.35	0.06	4.92	F 12	146

Dimensions in inch

Ball Sector Valve 4040

Dimensions KS2 with stem extension

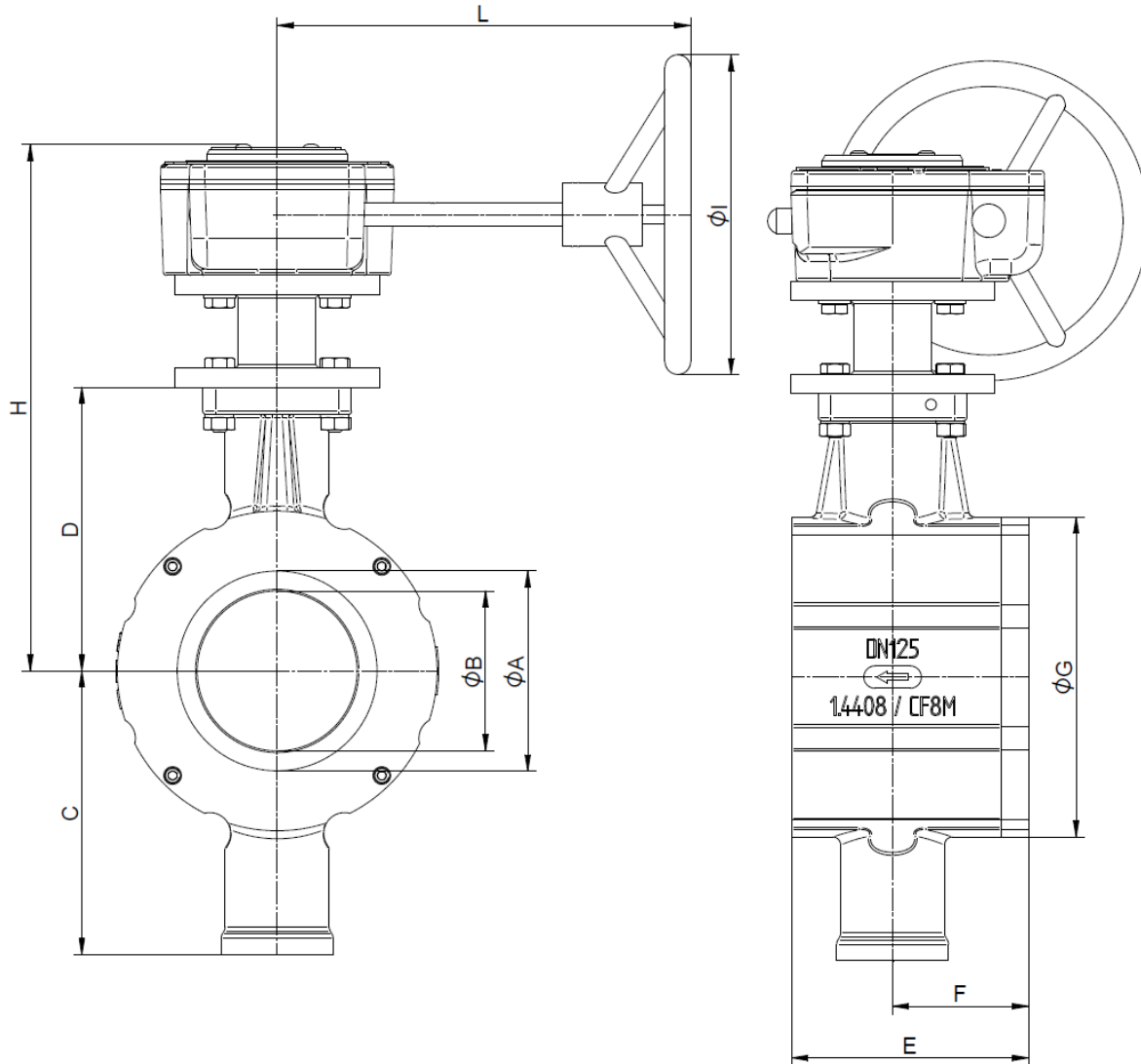


Size	A	B	C	D	E	F	G	H	weight (lbs)
1"	0.98	0.79	3.35	3.35	1.97	1.02	2.87	5.71	6.4
1 1/2"	1.61	1.26	3.62	3.62	2.28	1.22	3.7	5.98	8.1
2"	2.09	1.57	3.74	3.74	2.8	1.5	4.41	6.1	9.9
2 1/2"	2.56	1.97	4.57	4.57	3.35	1.93	4.41	7.72	0.31
3"	3.15	2.56	4.69	4.69	3.74	2.17	5.59	7.83	19.4
4"	3.94	3.15	5.12	5.12	4.41	2.44	6.85	8.27	27.7

Dimensions in inch

Ball Sector Valve 4040

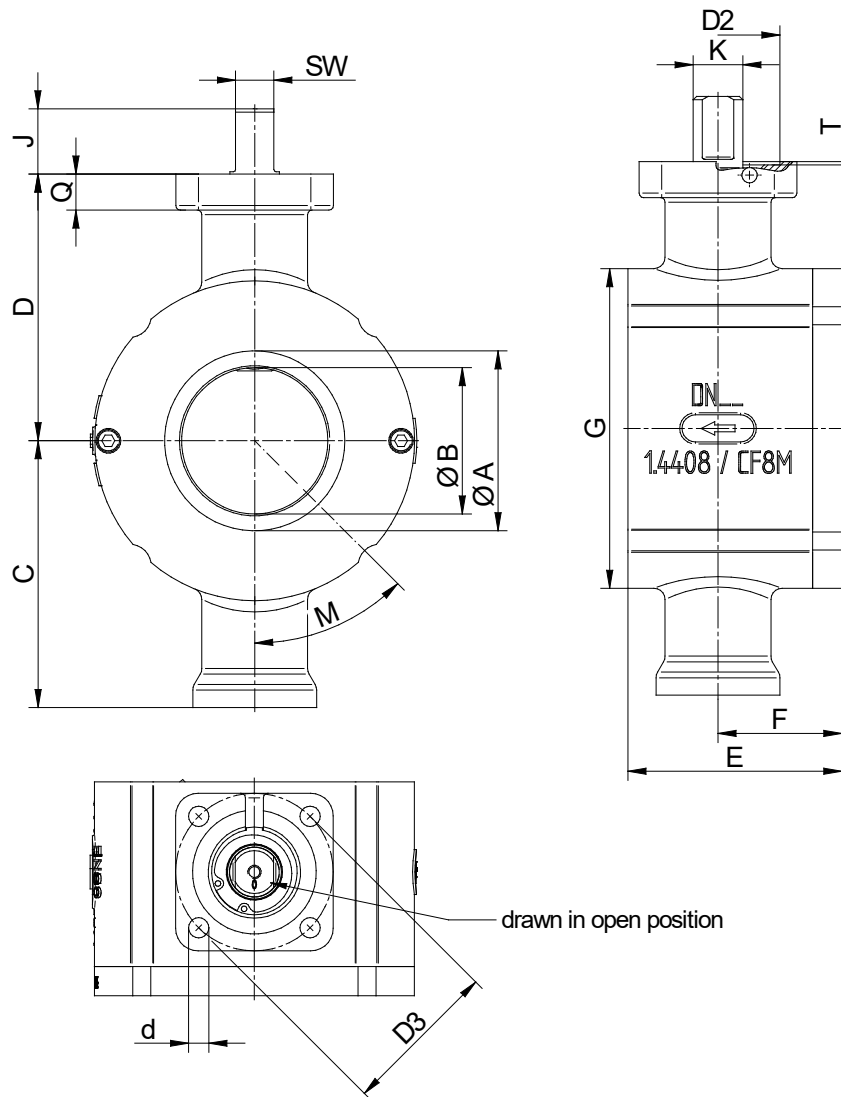
Dimensions KS2 with stem extension and hand wheel gearbox



Size	A	B	C	D	E	F	G	H	I	L	weight (lbs)
5"	4.92	3.94	7.01	7.01	5.83	3.35	7.87	12.99	7.87	10.2	1.1
6"	5.91	4.72	7.36	7.36	6.69	3.74	8.66	13.35	7.87	10.2	1.22
8"	7.87	6.1	8.5	8.5	8.27	4.72	10.83	14.09	7.87	10.2	1.94
10"	9.84	7.68	9.53	9.53	10.63	5.71	13.54	15.12	7.87	10.2	2.96

Dimensions in inch

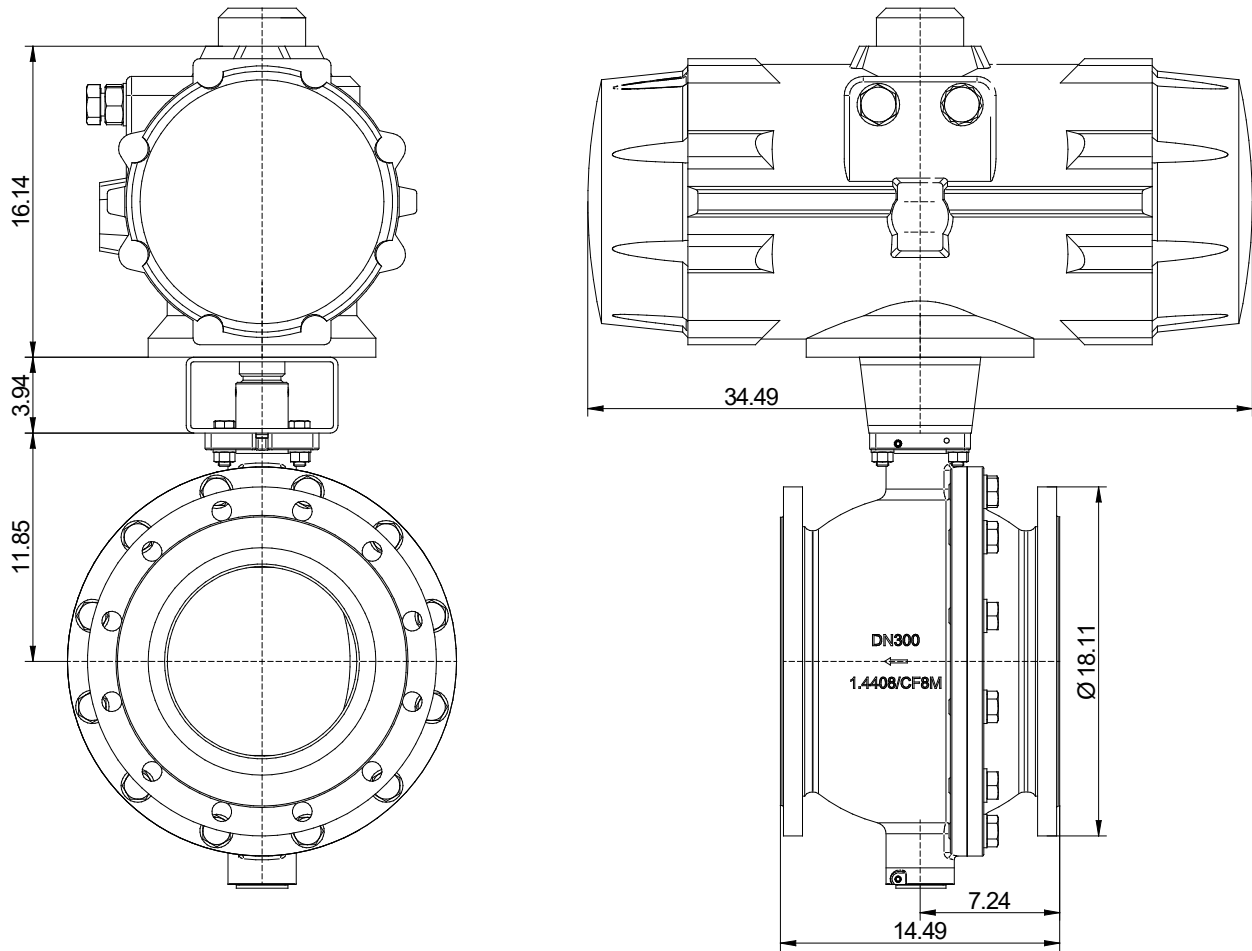
Dimensions KS2 without actuator version with dihedron



Size	A	B	C	D	E	F	J	SW	K	Q	d	D2	T	D3	DIN ISO 5211	weight [lbs]
1"	0.98	0.79	3.35	3.35	1.97	1.02	0.94	0.55	0.71	0.43	0.26	1.38	0.04	1.97	F 05	4.9
1 1/2"	1.61	1.26	3.62	3.62	2.28	1.22	0.94	0.55	0.71	0.43	0.26	1.38	0.04	1.97	F 05	6.6
2"	2.09	1.57	3.74	3.74	2.8	1.5	0.94	0.55	0.71	0.43	0.26	1.38	0.04	1.97	F 05	8.4
2 1/2"	2.56	1.97	4.55	4.55	3.35	1.93	1.14	0.67	0.87	0.63	0.35	2.17	0.06	2.76	F 07	14
3"	3.15	2.56	4.67	4.67	3.74	2.17	1.14	0.67	0.87	0.63	0.35	2.17	0.06	2.76	F 07	16
4"	3.94	3.15	5.1	5.1	4.41	2.44	1.14	0.67	0.87	0.63	0.35	2.17	0.06	2.76	F 07	24
5"	3.94	4.92	6.99	6.99	5.83	3.35	1.48	0.87	1.1	0.67	0.43	2.76	0.06	4.02	F 10	44
6"	5.91	4.72	7.36	7.36	6.69	3.74	1.48	0.87	1.1	0.67	0.43	2.76	0.06	4.02	F 10	51
8"	7.87	6.1	8.5	8.5	8.27	4.72	1.83	1.06	1.42	0.67	0.53	3.35	0.06	4.92	F 12	88
10"	9.84	7.68	9.53	9.53	10.63	5.71	1.83	1.06	1.42	0.67	0.53	3.35	0.06	4.92	F 12	146

Dimensions in inch

Dimensions KS1 12" with AirTorque actuator (designed for a pilot pressure of 73 - 87 psi)



Dimension in inch