

Ball Sector Motor Valve 4037

ex-proof
1" up to 4"



- Nominal sizes 1" up to 4"
- Robust aluminium body of the actuator
- Excellent control characteristics
- Universal voltage supply
- Easily exchangeable seat ring
- Low maintenance
- Adjustable stroking times
- Protection class IP 66
- Manual emergency adjustment
- Efficient and easy to install
- Integrated heating system
- Spring return function on demand
- Optional with face to face dimension acc. ANSI ISA 75.08.02



Technical Information Valve

Design	flangeless, wafertype		
Nominal sizes	1" up to 4"		
Body material	cast parts	316L (CF8M)	
	turned parts	316 L (1.4404)	
Bearing material	high temperature plain bearing (Iglidur Z)		
Nominal pressure	1" - 2"	ANSI150, ANSI300, 580 psi (for flanges 145 psi - 580 psi)	
	2 1/2" - 4"	ANSI150, ANSI300, 365 psi (for flanges 145 psi - 365 psi)	
Fluid Temperature	-40°F up to +428°F depending on the sealings		
Ambient temperature	-40°F up to +122°F		
Vacuum	up to 1,48 mercury (Hg)		
Characteristic	almost equal percentage		
Rangeability	100:1		
Spezific leakage rate shaft and body sealing	ISO FE-BH-CC3-SSA0-t(-40°C/+220°C)-PN40-ISO 15848-1		
Leakage rate	Seat ring: PTFE / PEEK Ball sector: Polished stainless steel < 0,00001 IV-S1	Seat ring: PTFE / PEEK Ball sector: Hard chrome-plated stainless steel < 0,00005 IV-S1	Seat ring: Stellite Ball sector: Stainless steel hard chrome-plated and lapped < 0,0005 IV-S1
% of Kvs IEC 60534-4			

Data of the actuator

Voltage supply	24 ... 230 V AC/DC
Protection class	IP 66
Input signal	4-20 mA or 0-10 V
Feedback signal	4-20 mA or 0-10 V
EX-Protection (gas)	II 2 (2) G Ex db [ib Gb] IIC T6, T5, T4 Gb
EX-Protection (dust)	II 2 (2) D Ex tb [ib Db] IIIC T80°C, T95°C, T130°C Db
Ambient Temperature	T5: -40°F up to 104°F T6: -40°F up to 122°F
Motor	Brushless DC Motor
Maintenance	Maintenance free actuator
Diameter of cable	-Ø 0,28 inch and -Ø 0,29 inch - 39,37 inch cable (for on/off different)
Reverse function	Bridge between clamp 3 and 4
Holding Power	20 W (~16 W when heating)
Current consumption initialization	2 A

ATEX - Versions

EX-Protection (gas)	II 2G Ex d [ia] IIC T6, T5	Zone 1 and 2
EX-Protection (dust)	II 2D Ex tD [iaD] A21 IP66 T80, T95°C	Zone 21 and 22
EX-Protection (gas)	II3G Ex nC II T6 / II3(1)G Ex nC [ia] IIC T6	Zone 2
EX-Protection (dust)	II3D Ex tD A22 IP66 T80°C	Zone 22
Industrial applications without Ex certification	none	

ex-proof

Working pressure

Size	maximum differential pressure (delta p)									
	seat ring PTFE			seat ring PEEK				seat ring Stellite		
	up to 176°F psi	248°F psi	338°F psi	up to 176°F psi	248°F psi	338°F psi	428°F psi	up to 176°F psi	338°F psi	428°F psi
1" - 2"	365	230	85	580	580	365	230	580	580	365
3" - 4"	230	175	75	365	365	230	145	365	365	230

Temperature limits

Seating	Sealing seating									
	Viton		EPDM		NBR		FFKM		PFA-Silicone	
	Tmin [°F]	Tmax [°F]	Tmin [°F]	Tmax [°F]	Tmin [°F]	Tmax [°F]	Tmin [°F]	Tmax [°F]	Tmin [°F]	Tmax [°F]
PTFE	5	338	-40	284	-22	212	5	338	-49	338
PEEK	5	392	-40	284	-22	212	5	428	-49	428
Stellite	5	392	-40	284	-22	212	5	428	-49	428

Kvs-Values

Size	Cvs-value reduced to					
	100%	63%	40%	25%	16%	6,3%
1"	29	14.7	9.2	6.2	4.2	1.7
1 1/2"	80.9	46.6	29			
2"	126	75.4	47.6			
2 1/2"	220.4					
3"	347					
4"	451					

ex-proof

Rotary time settings / rated current

rotary switch setting	size 1" up to 2"				size 3" up to 4"			
	rotation time	actuator torque	rated current		rotation time	actuator torque	rated current	
			24V	230V			24V	230V
0	3/7.5 sec/90°	15 Nm	4.7 A	0.5 A	40 sec/90°	50 Nm	1.0 A	0.3 A
1	15 sec/90°		1.45 A	0.3 A	60 sec/90°		0.7 A	0.2 A
2	30 sec/90°		0.52 A	0.15 A	90 sec/90°		0.5 A	0.15 A
3	60 sec/90°		0.4 A	0.1 A	120 sec/90°		0.4 A	0.1 A
4	120 sec/90°		0.4 A	0.1 A	150 sec/90°		0.4 A	0.1 A
5	7.5 sec/90°	30 Nm	4.7 A	0.5 A	40 sec/90°	75 Nm	1.0 A	0.3 A
6	15 sec/90°		1.45 A	0.3 A	60 sec/90°		0.7 A	0.2 A
7	30 sec/90°		0.52 A	0.15 A	90 sec/90°		0.5 A	0.15 A
8	60 sec/90°		0.4 A	0.1 A	120 sec/90°		0.4 A	0.1 A
9	120 sec/90°		0.4 A	0.1 A	150 sec/90°		0.4 A	0.1 A
Standard								

rotary switch setting	size 1 1/2", 2", 3" (with spring return)				size 1" (with spring return)			
	rotation time	actuator torque	rated current		rotation time	actuator torque	rated current	
			24V	230V			24V	230V
0	40 sec/90°	30 Nm (50Nm size 3")	2.0 A	0.4 A	3/7.5 sec/90°	15 Nm	4.7 A	0.5 A
1	60 sec/90°		1.8 A	0.3 A	15 sec/90°		1.45 A	0.3 A
2	90 sec/90°		1.4 A	0.15 A	30 sec/90°		0.52 A	0.15 A
3	120 sec/90°		1.4 A	0.1 A	60 sec/90°		0.4 A	0.1 A
4	150 sec/90°		1.4 A	0.1 A	120 sec/90°		0.4 A	0.1 A
5	40 sec/90°		2.0 A	0.4 A	7.5 sec/90°		4.7 A	0.5 A
6	60 sec/90°		1.8 A	0.3 A	15 sec/90°		1.45 A	0.3 A
7	90 sec/90°		1.4 A	0.15 A	30 sec/90°		0.52 A	0.15 A
8	120 sec/90°		1.4 A	0.1 A	60 sec/90°		0.4 A	0.1 A
9	150 sec/90°		1.4 A	0.1 A	120 sec/90°		0.4 A	0.1 A
Standard								

spring return about 3 or 10 sec./90°

spring return about 20 sec./90°

Wiring diagram (further more in the operating instructions)

Control

Options within every control actuator:
 Jumper I: inverse the control and feedback signal

Voltage on A: Force the actuator to close
 Voltage on B: Force the actuator to open

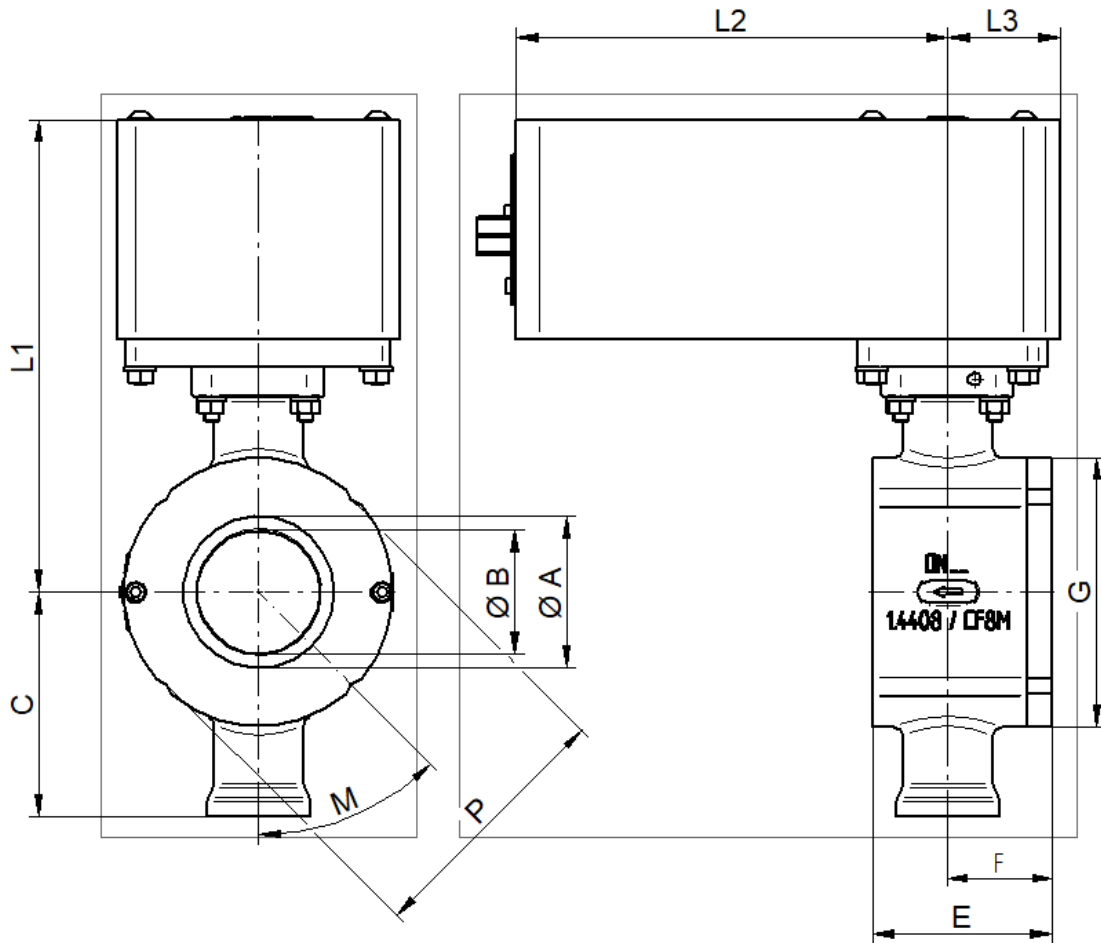
On/Off 3-Point

Ball Sector Motor Valve 4037

ex-proof

Dimensions KS2 with actuator

Sealing of the bearing shaft with PTFE-packing



Size	A	B	C	E	F	L1	L1*	L2	L2*	L3	L3*
1"	0.98	0.79	3.35	1.97	1.02	7.09	7.09	6.54	6.54	1.73	1.73
1 1/2"	1.61	1.26	3.62	2.28	1.22	7.36	8.78	6.54	9.02	1.73	2.32
2"	2.09	1.57	3.74	2.8	1.5	7.48	8.9	6.54	9.02	1.73	2.32
2 1/2"	2.56	1.97	4.55	3.35	1.93	9.72	9.72	9.02	9.02	2.32	2.32
3"	3.15	2.56	4.67	3.74	2.17	9.84	9.84	9.02	9.02	2.32	2.32
4"	3.94	3.15	5.1	4.41	2.44	10.28	---	---	---	2.32	---

Size	PN					ANSI 150				ANSI 300			
	PN	G	P	M	Amount	G	P	M	Amount	G	P	M	Amount
1"	PN40	2.95	2.87	1.77	4	2.95	2.66	1.77	4	3.11	2.87	1.77	4
1 1/2"	PN40	3.78	3.7	1.77	4	3.78	3.43	1.77	4	3.9	3.7	1.77	4
2"	PN40	4.41	4.17	1.77	4	4.41	4.17	1.77	4	4.41	0	0	0
2 1/2"	PN25	5.08	0	0	0	5.08	4.92	1.77	4	5.08	0	0	0
3"	PN25	5.59	0	0	0	5.59	5.43	1.77	4	5.91	0	0	0
4"	PN25	6.85	6.46	0.89	8	6.93	0	0	0	7.17	0	0	0

* With spring return
Dimensions in inch

Text and pictures are not binding. We reserve the right, to alter the equipment.