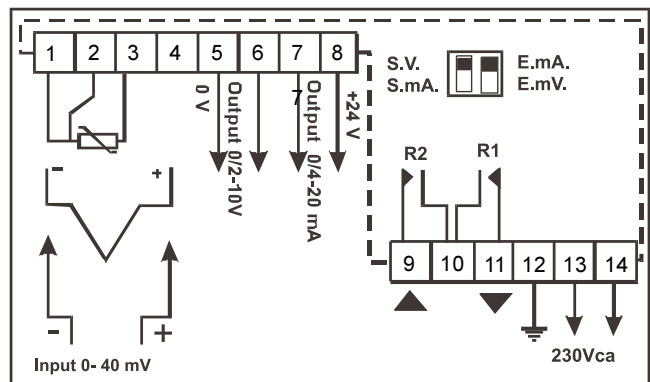


Process Controller Model 2504

Compact Process Controller in Switch Board Size 1.9" x 3.8" for Standard Control Applications.

- Analogue, thermocouple and Pt100-input
- Switching (2- or 3-step) or analogue output
- Alarm output
- 24 V transmitter supply
- Self-tuning function for determination of control parameters



Process Controller Model 2504

Mechanical Data

Size	Front plate 1.9" x 3.8"
Length	5.5 inches (with connections)
Front and back plate	Polycarbonate
Protection class front plate	IP 54
Protection class back plate	IP 20
Adm. Ambiente temperature	+32 ... +113°F
Max. operating humidity	0 to 80 % rel., no condensation

Electrical Data

Power supply	110/220 V \pm 20 %, 50/60 Hz
Power consumption	6 VA

Input Signals

Pt 100 (3-wire)	-148 ... + 752°F
Thermocouple type J	+32 ... 1112°F
Thermocouple type K	+32 ... 2192°F
Thermocouple type S	+32 ... 2912°F
Analogue input 0 - 40 mA or 0/4 - 20 mA 24 VDC supply for 4 - 20 mA transmitters	Free scaling of display range -999 ... 9999

Control Functions, Output Signals

2-step control with alarm
3-step control (without feedback, without alarm)
Analogue control 0/4 - 20 mA or 0/2 - 10 V with alarm

Text and pictures are not binding. We reserve the right to alter the equipment.