

# 3/2-Way Motor Control Valve 7282

## 1/2" up to 1 1/2"



3/2-Way Motor Valve in stainless steel for distributing function, mixing function and modulating operation for neutral and aggressive media.

- Compact design
- Self calibration
- Unaffected by lightly contaminated media
- For operating temperatures form -22°G up to +392°F
- Versatile actuator options
- Actuators with control function also available with spring return



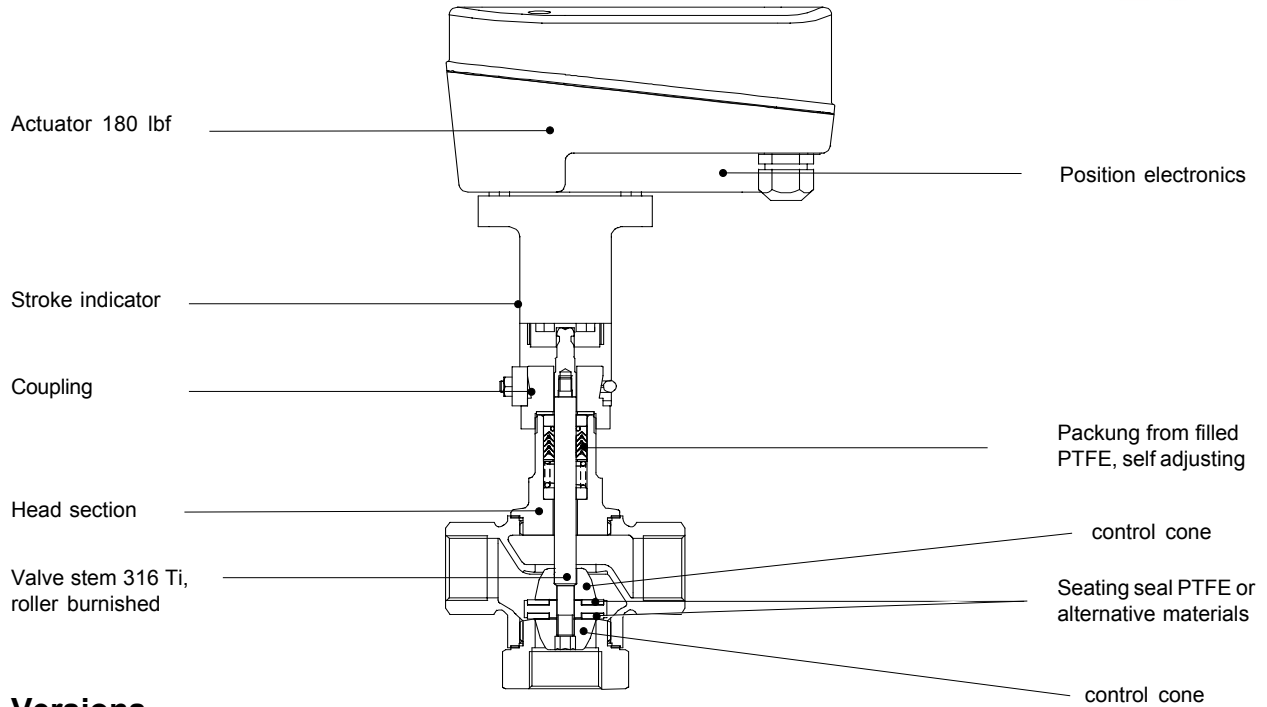
### Technical Information Valve

Nominal sizes	1/2" up to 1 1/4"
Connections	NPT thread: 1/2" up to 1 1/4"
Nominal pressure	580 psi
Fluid temperature	-22°F up to + 392°F

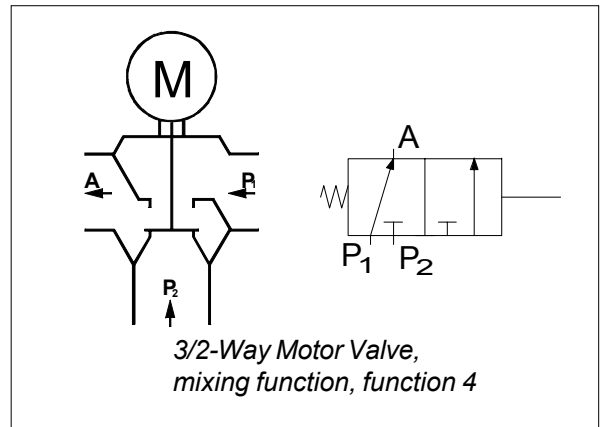
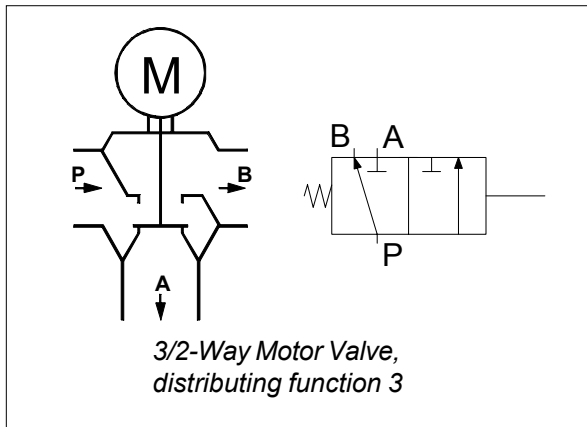
### Technical Information Motor Actuator

Type of motor	BM24C	BM24C/I	BM24C/IOS	BM115C/IOS	BM230C/IOS	BM24	BM115	BM230
Function	Control	Control	Control	Control	Control	On/Off	On/Off	On/Off
Nominal voltage	24 V AC/DC	24 V AC/DC	24 V AC/DC	115 V AC	230 V AC	24 V AC/DC	115 V AC	230 V AC
Set point	2 - 10 V	4 - 20 mA	4 - 20 mA	4 - 20 mA	4 - 20 mA	3-step	3-step	3-step
Load	100 kOhm	500 Ohm	500 Ohm	500 Ohm	500 Ohm	-	-	-
Position feedback	2 - 10 V	2 - 10 V	4 - 20 mA	4 - 20 mA	4 - 20 mA	-	-	-
external load	-	-	< 700 Ohm	< 700 Ohm	< 700 Ohm	-	-	-
limit switches	-	-	2 x	2 x	2 x	-	-	-
max. switching load	-	-	230V/130mA	230V/130mA	230V/130mA	-	-	-
Power consumption	3 W	3 W	3 W	4 W	4 W	3 W	6 W	6 W
Stroking time (standard)	3.5s per 0.04inch	3.5s per 0.04inch	3.5s per 0.04inch	3.5s per 0.04inch	3.5s per 0.04inch	190 s/inch	190 s/inch	190 s/inch
Thrust	800 N							
Class of protection	IP 65							
Ambient temperature	14°F up to +140°F							

# 3/2-Way Motor Control Valve 7282



## Versions



## C<sub>v</sub>-Values

DN	P-B	P-A	P1-A	P2-A
1/2"	6.4	8.7	6.4	8.7
3/4"	7.5	11.6	7.5	11.6
1"	11.6	16.2	11.6	16.2
1 1/4"	17.4	26.7	17.4	26.7

## Pressure Capability

Nominal size	Inlet pressure psi			
	1/2"	3/4"	1"	1 1/4"
	220	220	125	70

# 3/2-Way Motor Control Valve 7282



## Ordering Number System

Article number

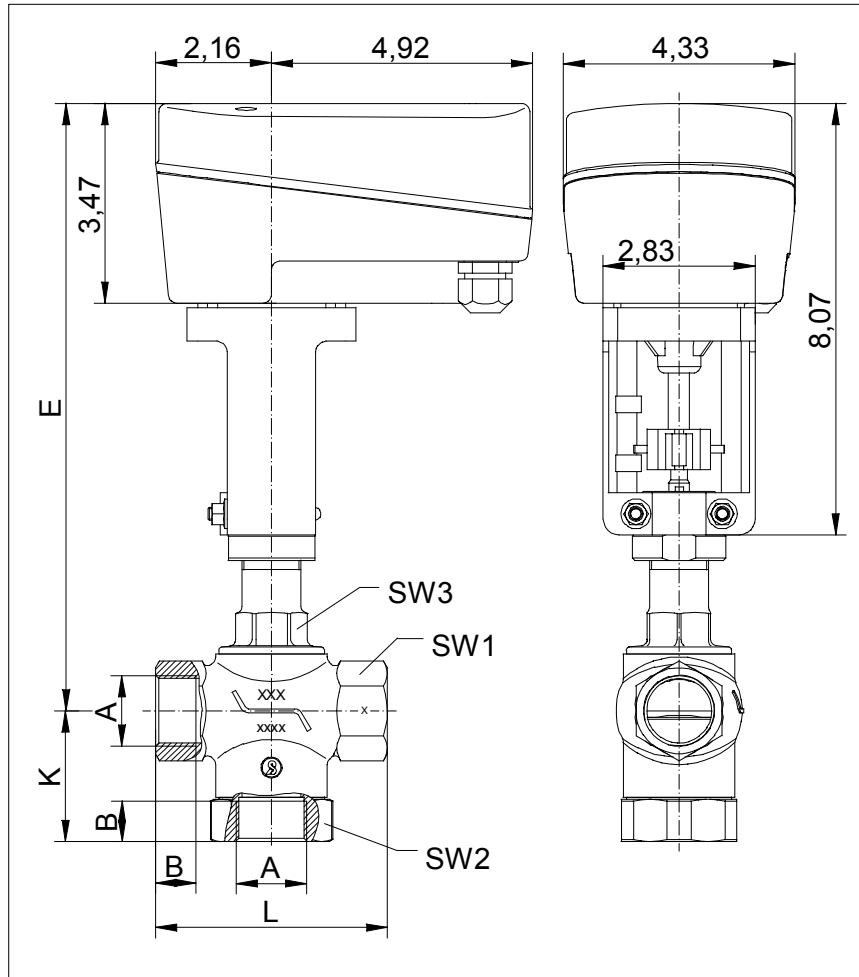
7282/			K						S	
<b>Nominal size:</b>										
1/2" (DN 15)	015									
3/4" (DN 20)	020									
1" (DN 25)	025									
1 1/4" (DN 32)	032									
<b>Item:</b>										
Valve	V									
Valve without actuator	U									
Actuator	A									
<b>Body design:</b>										
3/2-Way Motor Valve, distributing function			3							
3/2-Way Motor Valve, mixing function			4							
<b>Connection:</b>										
With orth-thread			0							
NPT thread			5							
<b>Body material:</b>										
Stainless steel 316 L			2							
<b>Seating seal:</b>										
PTFE			0							
<b>Actuator:</b>										
Control actuator BM24C - 24V AC/DC - Position control 2-10V - Feedback 2-10V			1							
Control actuator BM24C/I - 24V AC/DC - Position control 4-20mA - Feedback 2-10V			2							
Control actuator BM24C/IOS - 24V AC/DC - Position control 4-20mA - Feedback 4-20mA - 2 limit switches			3							
Control actuator BM115C/IOS - 115V AC - Position control 4-20mA - Feedback 4-20mA - 2 limit switches			4							
Control actuator BM230C/IOS - 230V AC - Position control 4-20mA - Feedback 4-20mA - 2 limit switches			5							
On-Off actuator BM24 - 24V AC/DC			6							
On-Off actuator BM230 - 230V AC			7							
On-Off actuator BM115 - 115V AC			8							
<b>Control plug:</b>										
linear, full Cv-value			-							
<b>Safety position:</b>										
without safety position			-							
Spindle travelling into valve, set point time < 0,06 inch/sec			0							
Spindle travelling out of valve, set point time < 0,06 inch/sec			1							
<b>Stroking times:</b>										
Standard (3.5 s/ 0.04 inch for control actuators - 190s/inch for on-off actuators)			-							
114 s/inch (on-off actuators only)			L							
1.75 s/ 0.04 inch (control actuators only), avec safety spring return 3.0 s/ 0.04 inch			1							
7.0 s/ 0.04 inch (control actuators only)			2							
14.0 s/ 0.04 inch (control actuators only)			3							

### Ordering example

**7282/025VK45103:** 3/2-Way Motor Control Valve Type 7282, 1", NPT thread, stainless steel body 316 L, seating seal PTFE, control actuator BM24C/IOS, 180 lbf, 24V AC/DC, position electronics 4-20 mA, position feedback 4-20 mA, 2 limit switches, control cone lin. 100%.

# 3/2-Way Motor Control Valve 7282

## Dimensions and Weights

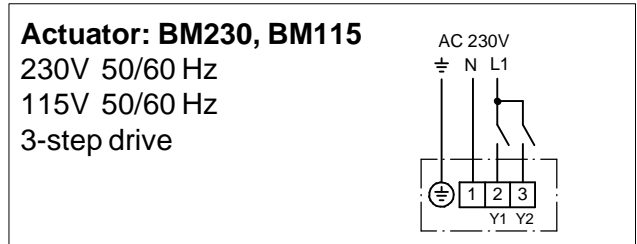
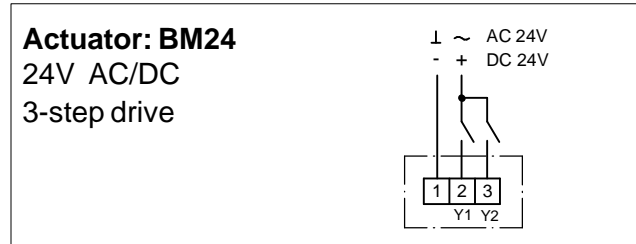


DN	A	B	B	E	Stroke	K	L	SW1	SW2	SW3	Weight
	Rp / NPT	Rp	NPT								lbs
1/2"	1/2"	0.6	0.55	10.9	0.55	2.45	3.55	1	1.6	1.2	6.8
3/4"	3/4"	0.65	0.6	10.9	0.55	2.45	3.55	1.25	1.6	1.2	6.8
1"	1"	0.75	0.7	11.4	0.55	2.5	4.35	1.6	2.15	1.2	7.7
1 1/4"	1 1/4"	0.85	0.7	11.55	0.6	2.9	5.1	1.9	2.55	1.2	9

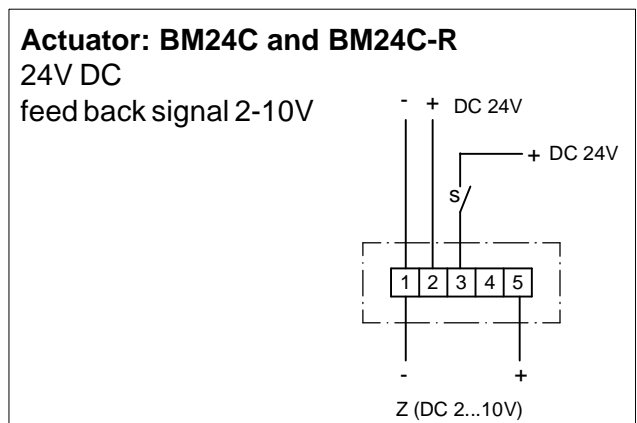
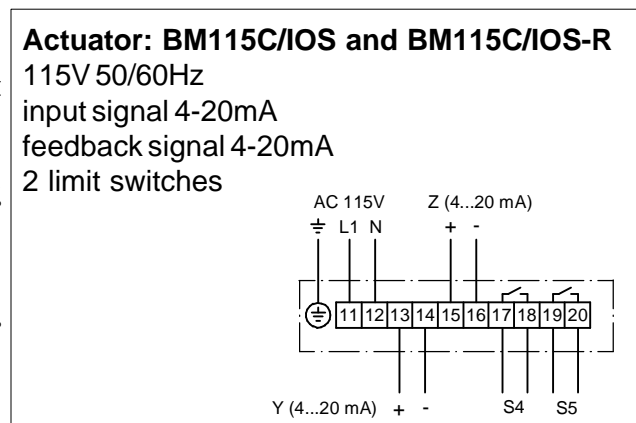
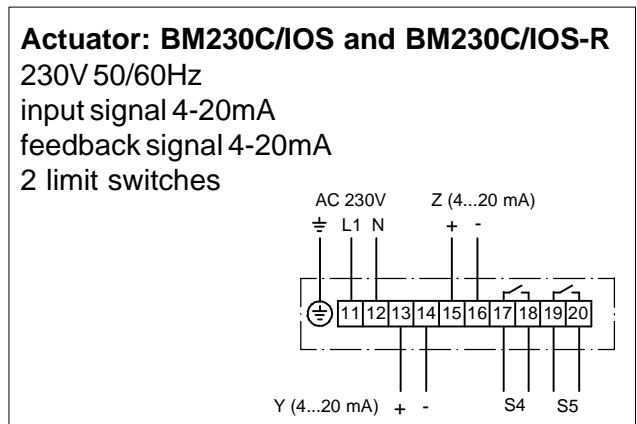
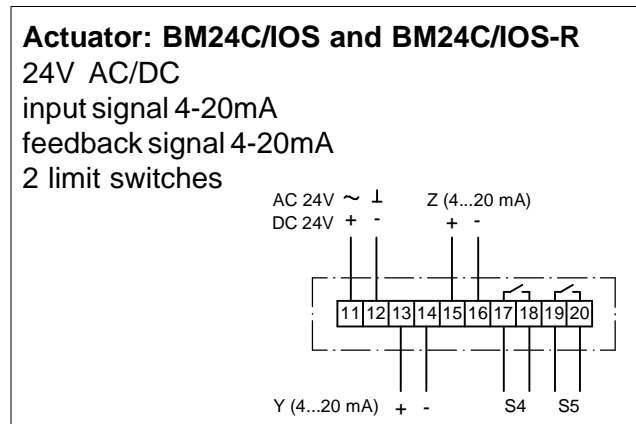
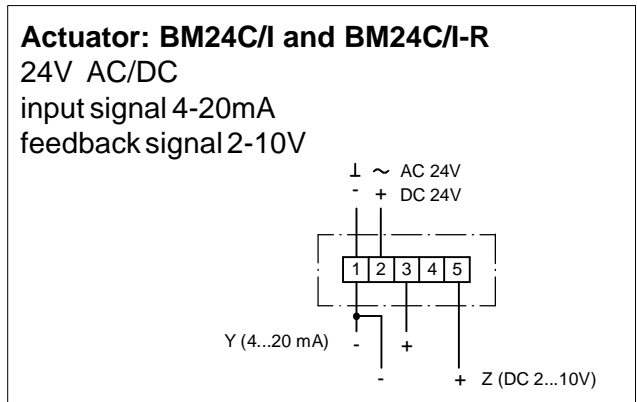
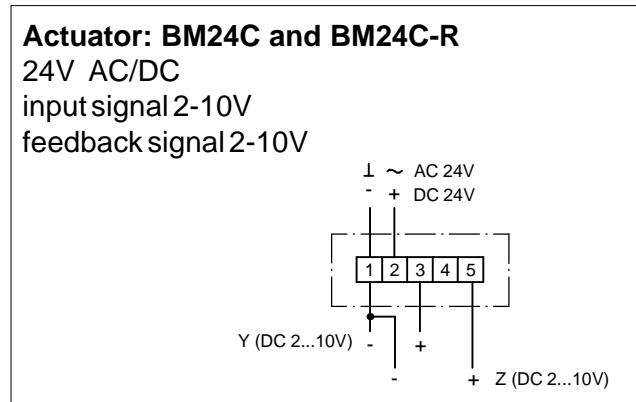
Dimensions in inch

# 3/2-Way Motor Valve 7280 Schematic Wiring Diagrams

## On/Off-Actuators



## Control Actuators



BM.....-R: version with safety position

Y: signal, Z: feedback signal

Text and pictures are not binding. We reserve the right, to alter the equipment.