

3/2-Way Motor Valve

7280



1/2" up to 1 1/2"

3/2-Way Compact Motor Valve for distributing function, mixing function and modulating operation for neutral and aggressive media

- Compact design
- Self calibration
- Unaffected by lightly contaminated media
- For operating temperatures from -22°F up to +392°F
- Versatile actuator options
- Also available with spring return



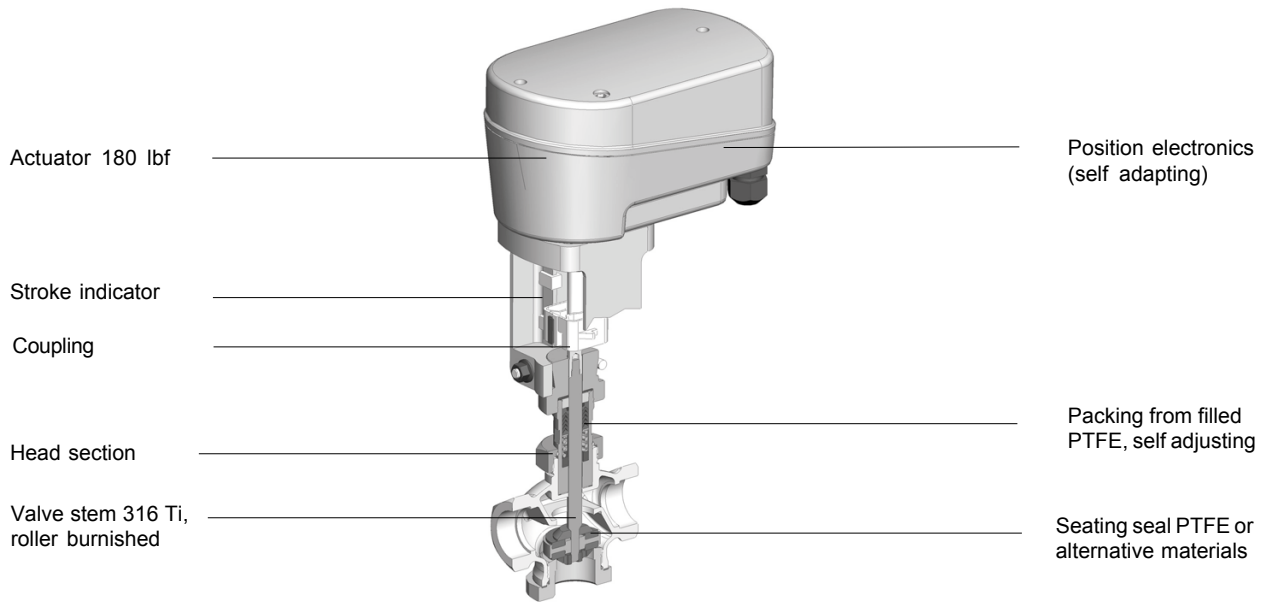
Technical Information Valve

Body material	Bronze RG5
Nominal size	1/2" up to 1 1/2"
Connections	Pipe thread acc. DIN 2999 NPT thread
Nominal pressure	235 psi
Max. fluid temperature	-22°F up to +392°F
Viscosity of media	720 cps

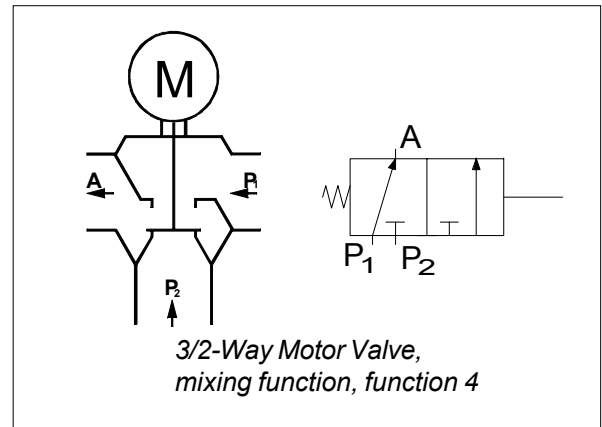
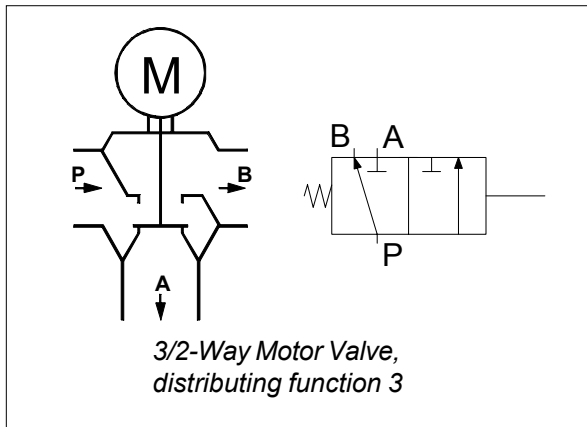
Technical Information Motor Actuator

Type of motor	BM24C	BM24C/I	BM24C/IOS	BM115C/IOS	BM230C/IOS	BM24	BM115	BM230
Function	Control	Control	Control	Control	Control	On/Off	On/Off	On/Off
Nominal voltage	24 V AC/DC	24 V AC/DC	24 V AC/DC	115 V AC	230 V AC	24 V AC/DC	115 V AC	230 V AC
Set point	2 - 10 V	4 - 20 mA	4 - 20 mA	4 - 20 mA	4 - 20 mA	3-step	3-step	3-step
Load	100 kOhm	500 Ohm	500 Ohm	500 Ohm	500 Ohm	-	-	-
Position feedback	2 - 10 V	2 - 10 V	4 - 20 mA	4 - 20 mA	4 - 20 mA	-	-	-
external load	-	-	< 700 Ohm	< 700 Ohm	< 700 Ohm	-	-	-
limit switches	-	-	2 x	2 x	2 x	-	-	-
max. switching load	-	-	230V/130mA	230V/130mA	230V/130mA	-	-	-
Power consumption	3 W	3 W	3 W	4 W	4 W	3 W	6 W	6 W
Stroking time (standard)	3.5s per 0.04inch	3.5s per 0.04inch	3.5s per 0.04inch	3.5s per 0.04inch	3.5s per 0.04inch	190 s/inch	190 s/inch	190 s/inch
Thrust	800 N							
Class of protection	IP 65							
Ambient temperature	14°F up to +140°F							

3/2-Way Motor Valve 7280



Versions



C_v-Values

DN	P-B	P-A	P1-A	P2-A
1/2"	6,4	6,1	6,6	6,1
3/4"	8,6	10,1	8,5	11
1"	14,3	14,5	14,6	16,2
1 1/4"	28,3	23,2	29,6	24,4
1 1/2"	30,9	26,7	35,1	27

Pressure Capability

Nominal size	Inlet pressure psi				
	1/2"	3/4"	1"	1 1/4"	1 1/2"
	220	220	115	45	45

3/2-Way Motor Valve 7280



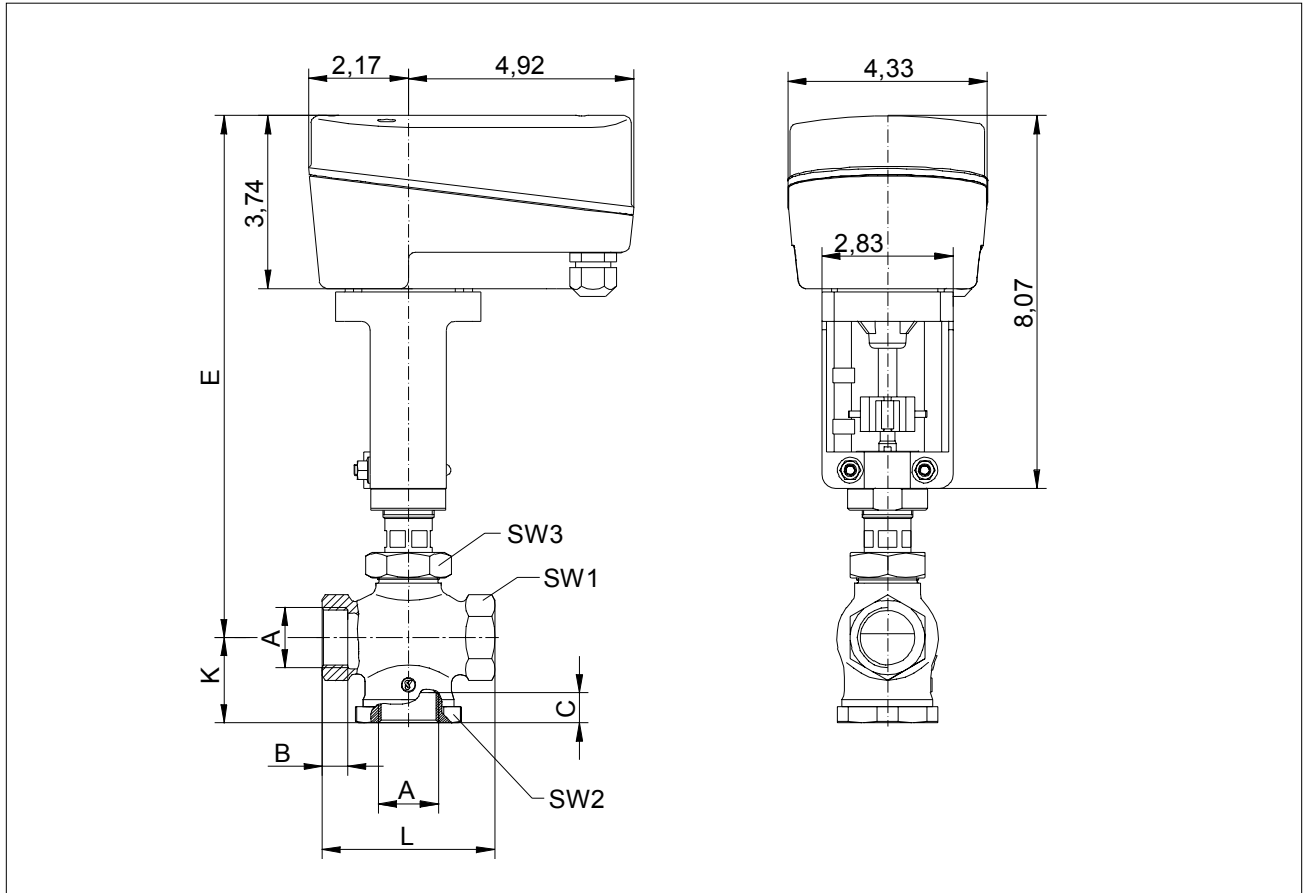
Ordering Number System

		Article number											
		7280/			K							S	
Nominal size:													
1/2" (DN 15)		015											
3/4" (DN 20)		020											
1" (DN 25)		025											
1 1/4" (DN 32)		032											
1 1/2" (DN 40)		040											
Item:													
Valve		V											
Valve without actuator		U											
Actuator		A											
Body design:													
3/2-Way Motor Valve, distributing function					3								
3/2-Way Motor Valve, mixing function					4								
Connection:													
With orth-thread					0								
NPT thread					5								
Body material:													
Bronze						1							
Seating seal:													
PTFE							0						
Actuator:													
Control actuator BM24C - 24V AC/DC - Position control 2-10V - Feedback 2-10V								1					
Control actuator BM24C/I - 24V AC/DC - Position control 4-20mA - Feedback 2-10V								2					
Control actuator BM24C/IOS - 24V AC/DC - Position control 4-20mA - Feedback 4-20mA - 2 Limit switches								3					
Control actuator BM115C/IOS - 115V AC - Position control 4-20mA - Feedback 4-20mA - 2 limit switches								4					
Control actuator BM230C/IOS - 230V AC - Position control 4-20mA - Feedback 4-20mA - 2 limit switches								5					
On-Off actuator BM24 - 24V AC/DC								6					
On-Off actuator BM230 - 230V AC								7					
On-Off actuator BM115 - 115V AC								8					
Control plug:													
without												-	
Safety position:													
without safety position													-
spring to close													0
Stroking times:													
Standard (3.5 s/ 0.04 inch for control actuators - 190s/inch for on-off actuators)													-
114 s/inch (on-off actuators only)													L
1.75 s/ 0.04 inch (control actuators only), with safety spring return 3.0 s/ 0.04 inch													1
7.0 s/ 0.04 inch (control actuators only)													2
14.0 s/0.04 inch (control actuators only)													3

Ordering example: 7280/025VK45103: 3/2-Way compact Motor valve Type 7280, 1", NPT- thread , bronze body, seating seal PTFE, control actuator BM24C/IOS, 180 lbf, 24V AC/DC, position electronics 4-20 mA, position feedback 4-20 mA, 2 limit switches

3/2-Way Motor Valve 7280

Dimensions and Weights

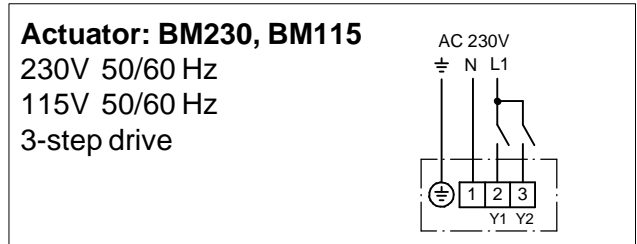
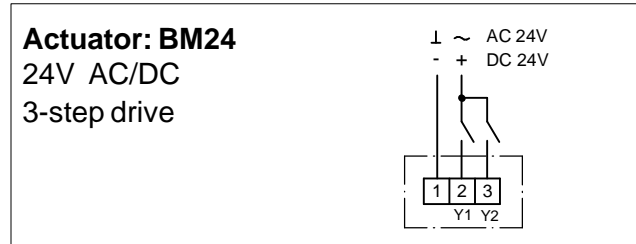


DN	A Rp / NPT	B	C Rp	C NPT	E	Stroke	K	L	SW1	SW2	SW3	Weight lbs
1/2"	1/2"	0.5	0.5	0.6	11.3	0.35	1.55	3.15	1.3	1.6	1.6	5.5
3/4"	3/4"	0.5	0.65	0.6	11.3	0.35	1.65	3.15	1.3	1.6	1.6	5.5
1"	1"	0.55	0.65	0.7	11.3	0.45	1.85	3.75	1.6	2.15	1.6	6.4
1 1/4"	1 1/4"	0.7	0.75	0.75	11.95	0.75	2.4	5.2	2.3	2.95	1.6	8.35
1 1/2"	1 1/2"	0.7	0.75	0.75	11.95	0.75	2.4	5.2	2.3	2.95	1.6	8.35

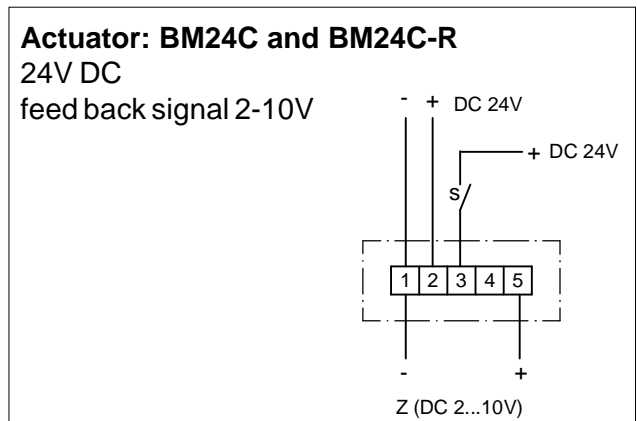
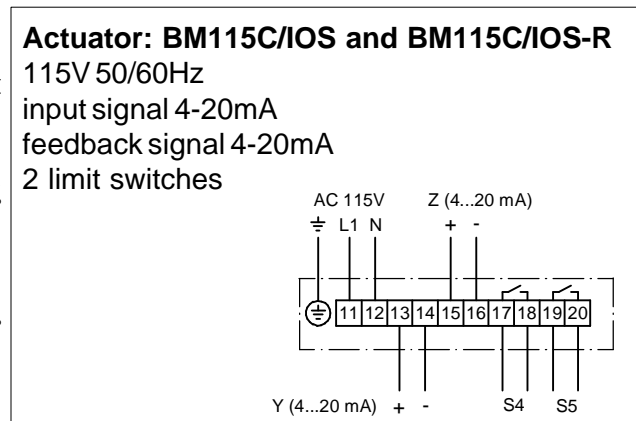
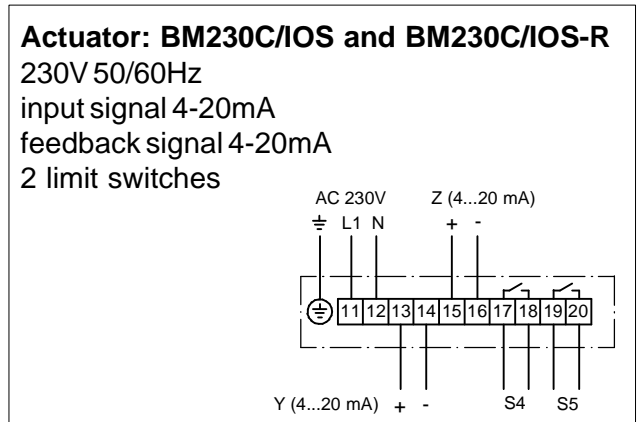
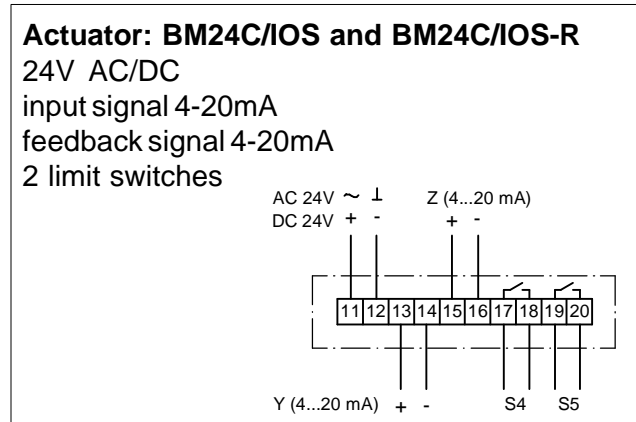
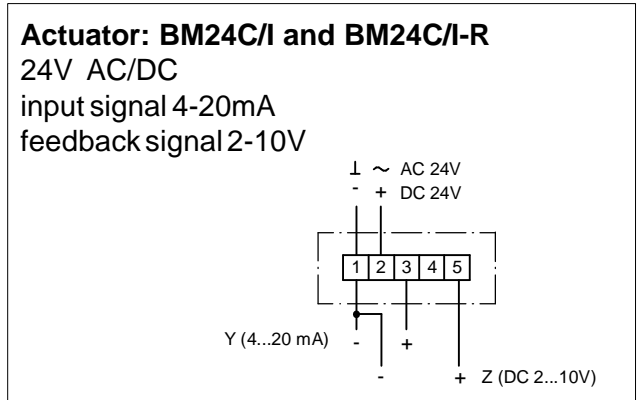
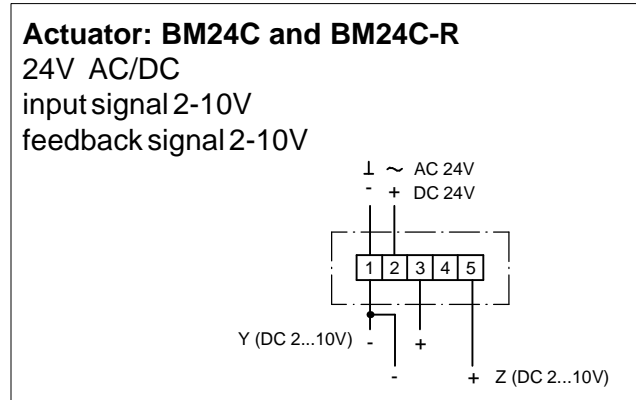
Dimensions in inch

3/2-Way Motor Valve 7280 Schematic Wiring Diagrams

On/Off-Actuators



Control Actuators



BM.....-R: version with safety position

Y: signal, Z: feedback signal

Text and pictures are not binding. We reserve the right, to alter the equipment.