

3/2-Way Valve

7081



1/2" up to 1 1/2"

Pneumatically operated 3/2-way valve in stainless steel for the control of neutral, slightly aggressive and highly aggressive media.

- Compact design
- Unaffected by lightly contaminated media
- For temperatures from -22°F up to +392°F
- Working pressure up to 580 psi
- Versatile actuators

Technical Information

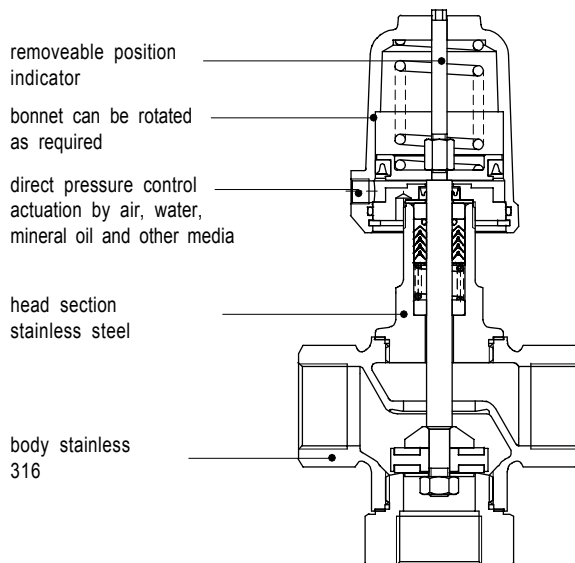
Body material	SST 316
Nominal sizes	1/2" - 1 1/2"
Connections	NPT thread
Nominal pressure	580 psi
Fluid temperature	-22°F to +338°F optional up to +392°F
Ambient temperature	-22°F to +140°F
Viscosity of the media	maximum 600 mm ² /s (600cSt)



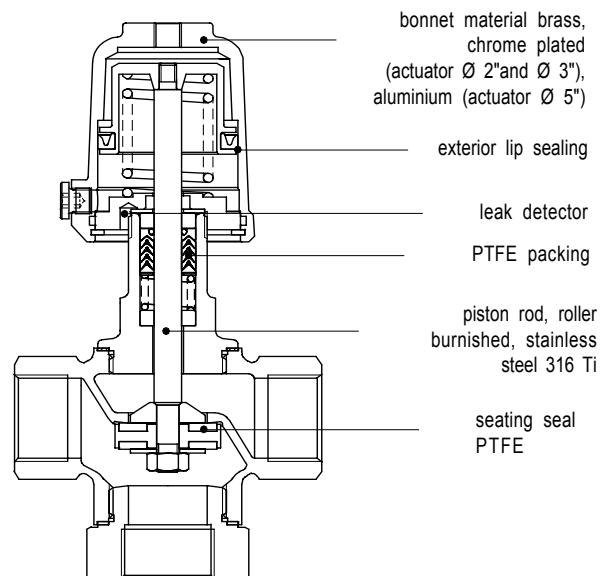
Options

- limit switches
 - inductive proximity switch
 - electrical switch
- pilot valve
- additional manual operation
- version free of oil and grease

diverting function: function 3
mixing function: function 4

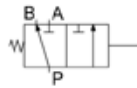


actuator normally open: function 6

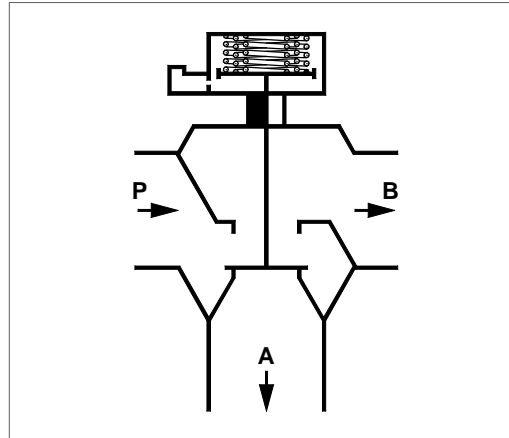
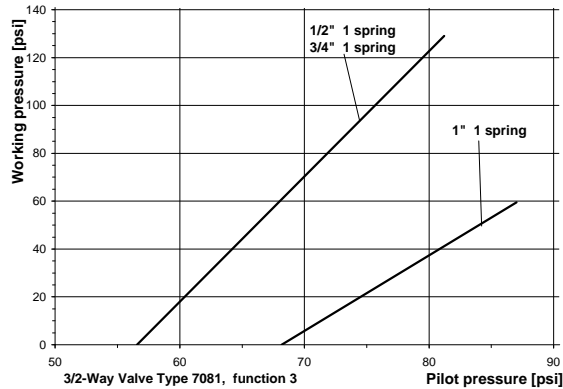


3/2-Way Valve 7081

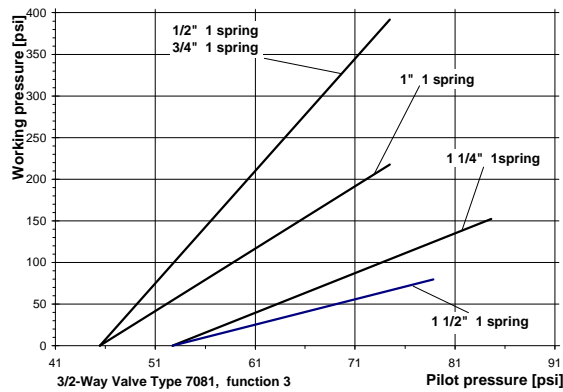
3/2-way valve, diverting function (3)



Actuator diameter 2"



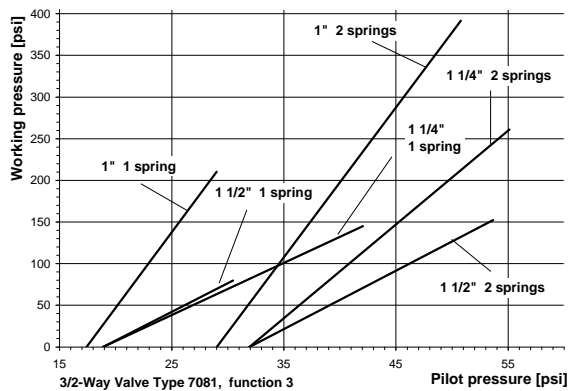
Actuator diameter 3"



max. pilot pressure, function 3

Nominal size DN	Actuator Ø	Springs	max. Pilot pressure (psi)
1/2" + 3/4"	2"	1	131
1/2" + 3/4"	3"	1	102
1"	2"	1	131
1"	3"	1	102
1"	5"	1	41
1"	5"	2	52
1 1/4"	3"	1	102
1 1/4"	5"	1	41
1 1/4"	5"	2	55
1 1/2"	3"	1	102
1 1/2"	5"	1	41
1 1/2"	5"	2	54

Actuator diameter 5"

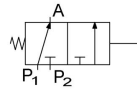


Attention:

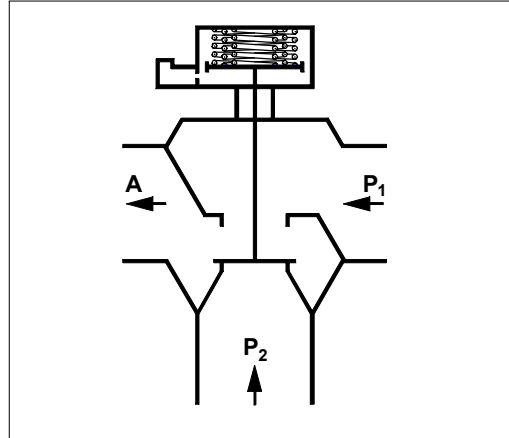
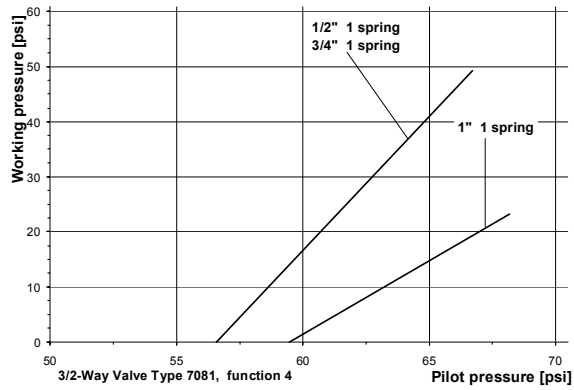
The maximum pilot pressure must not be exceeded since otherwise the piston rod would be damaged.

3/2-Way Valve 7081

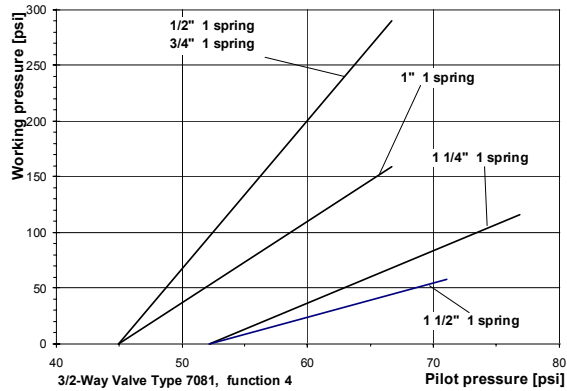
3/2-way valve, mixing function (4)



Actuator diameter 2"



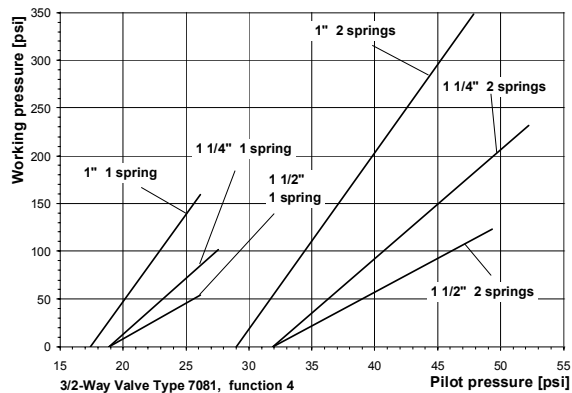
Actuator diameter 3"



max. pilot pressure, function 4

Nominal size DN	Actuator Ø	Springs	max. Pilot pressure (psi)
1/2" + 3/4"	2"	1	131
1/2" + 3/4"	3"	1	102
1"	2"	1	131
1"	3"	1	102
1"	5"	1	41
1"	5"	2	52
1 1/4"	3"	1	102
1 1/4"	5"	1	41
1 1/4"	5"	2	55
1 1/2"	3"	1	102
1 1/2"	5"	1	41
1 1/2"	5"	2	54

Actuator diameter 5"

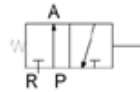


Attention:

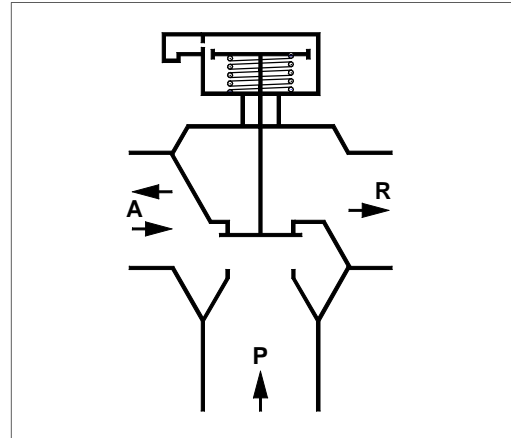
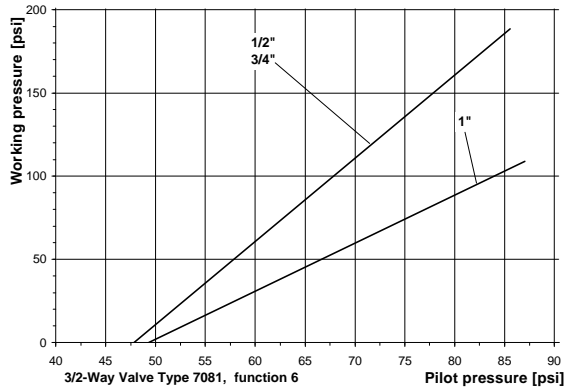
The maximum pilot pressure must not be exceeded since otherwise the piston rod would be damaged.

3/2-Way Valve 7081

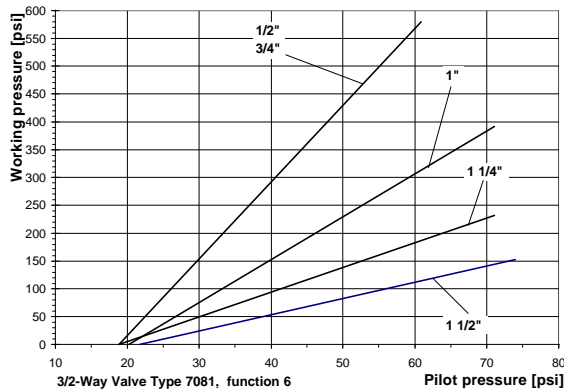
3/2-way valve, actuator: normally open (6)



Actuator diameter 2"



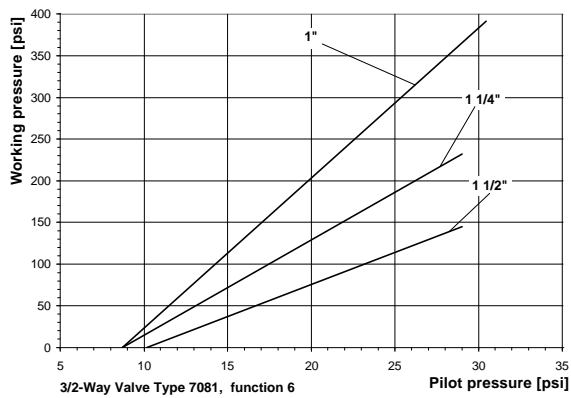
Actuator diameter 3"



max. pilot pressure, function 6

Nominal size DN	Actuator Ø	max. Pilot pressure (psi)
1/2" + 3/4"	2"	123
1/2" + 3/4"	3"	73
1"	2"	123
1"	3"	73
1"	5"	32
1 1/4"	3"	73
1 1/4"	5"	30
1 1/2"	3"	77
1 1/2"	5"	32

Actuator diameter 5"

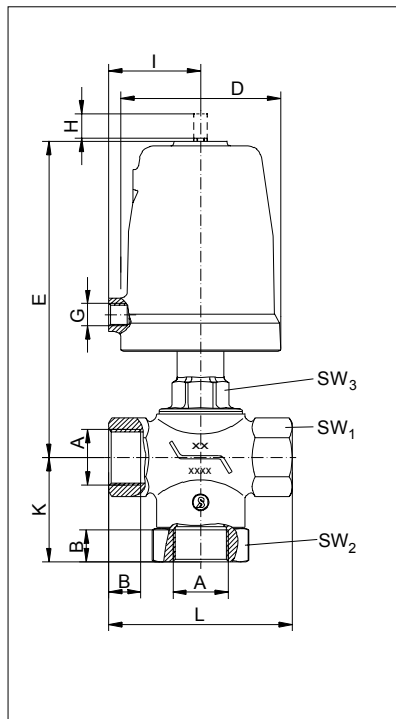


Attention:

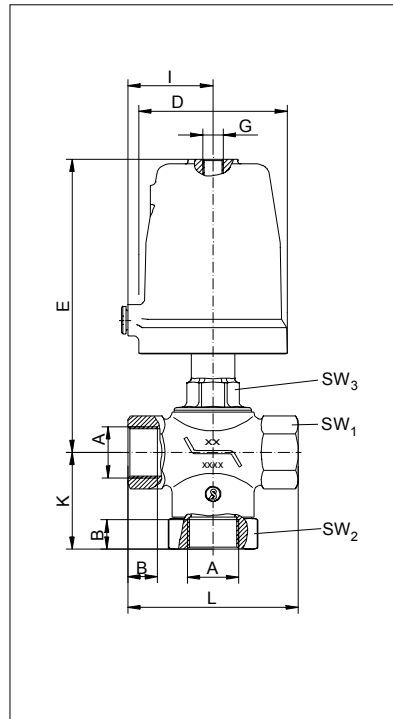
The maximum pilot pressure must not be exceeded since otherwise the piston rod, or as the case may be, the seating seal would be damaged.

3/2-Way Valve 7081

Dimension and Weights



**diverting and mixing
function 3 and 4**



**actuator: normally open
function 6**

DN	piston	A NPT	B	B NPT	D	E	G	H stroke	I	K	L	SW1	SW2	SW3	Weight (lbs)
1/2"	2"	1/2"	0.6	0.55	2.45	5.5	G 1/8"	0.55	1.35	2.45	3.55	1	1.6	1.2	4
1/2"	3"	1/2"	0.6	0.55	3.85	7	G 1/4"	0.55	2.15	2.45	3.55	1	1.6	1.2	7.5
3/4"	2"	3/4"	0.65	0.6	2.45	5.5	G 1/8"	0.55	1.35	2.45	3.55	1.25	1.6	1.2	4
3/4"	3"	3/4"	0.65	0.6	3.85	7	G 1/4"	0.55	2.15	2.45	3.55	1.25	1.6	1.2	7.5
1"	2"	1"	0.75	0.7	2.45	5.95	G 1/8"	0.55	1.35	2.5	4.35	1.6	2.15	1.2	4.8
1"	3"	1"	0.75	0.7	3.85	7.5	G 1/4"	0.55	2.15	2.5	4.35	1.6	2.15	1.2	8.4
1"	5"	1"	0.75	0.7	5.75	8.45	G 1/4"	0.55	3.15	2.5	4.35	1.6	2.15	1.2	12.5
1 1/4"	3"	1 1/4"	0.85	0.7	3.85	7.65	G 1/4"	0.59	2.15	2.9	5.1	1.9	2.55	1.2	9.7
1 1/4"	5"	1 1/4"	0.85	0.7	5.75	8.6	G 1/4"	0.59	3.15	2.9	5.1	1.9	2.55	1.2	13.9
1 1/2"	3"	1 1/2"	0.85	0.7	3.85	7.7	G 1/4"	0.91	2.15	3.45	5.5	2.3	2.95	1.25	11.7
1 1/2"	5"	1 1/2"	0.85	0.7	5.75	8.65	G 1/4"	0.91	3.15	3.45	5.5	2.3	2.95	1.25	15.8

Dimensions in inch

DN	Cv - values			
	P-B	P-A	P1-A	P2-A
1/2"	6.4	8.1	6.4	8.1
3/4"	8.7	12.8	8.7	12.8
1"	14.5	22	14.5	22
1 1/4"	22	32.5	22	32.5
1 1/2"	37.1	49.9	37.1	49.9

Text and pictures are not binding. We reserve the right, to alter the equipment.