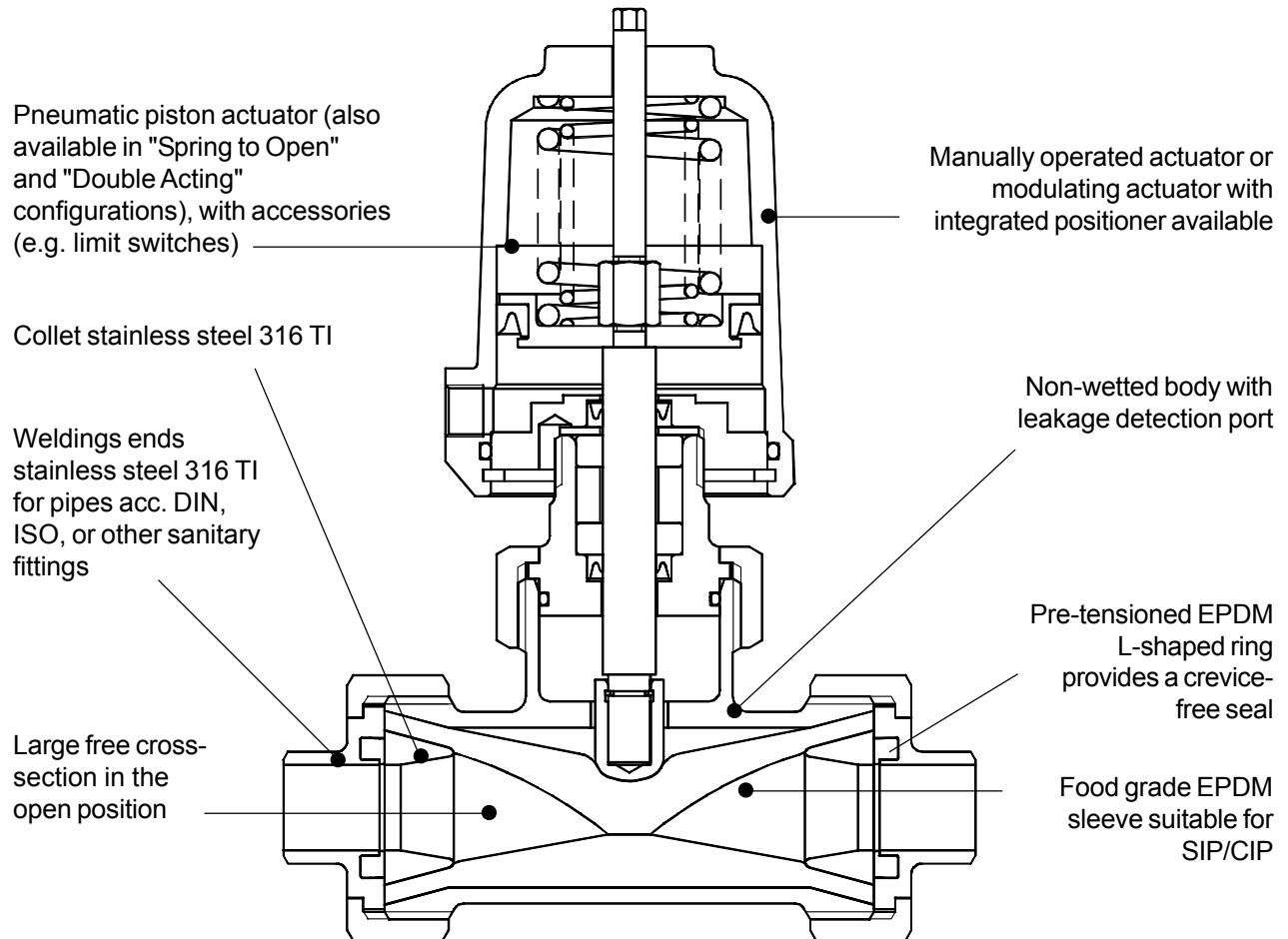


Pinch Valve 7074 1/2" up to 2" for food and sanitary applications



Technical Information

Nominal Sizes	1/2" (DN 15) up to 2" (DN 50)
Connections*	weldings ends for pipes acc. DIN 11850 or ISO; Tri-Clamp
Body Material	brass chrome plated/ nickerled (no contact with the fluid)
Sleeve	EPDM (food grade)
Operating Pressure	0 - 90 psi
Fluid Temperature	+14°F up to +266°F
Ambient Temperature	+14°F up to +140°F

* other sanitary fittings upon request!

Pinch Valve 7074

for sanitary applications



Admissible Differential Pressures

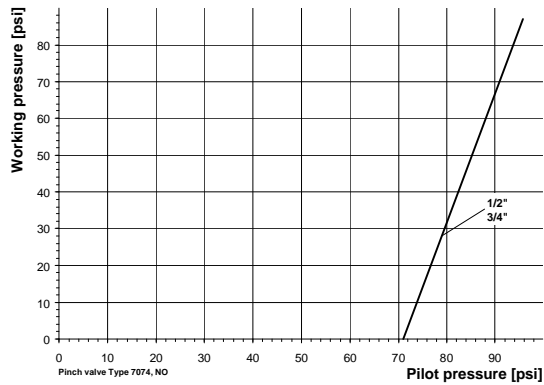
Spring Closes/Air to Open

Nominal size inch	Maximum working pressure psi	Pilot pressure psi	Piston diameter Ø	Number of Springs
1/2" / 3/4"	0 - 75	80 - 145	2"	3
1/2" / 3/4"	0 - 90	80 - 145	3"	1
1" / 1 1/4"	0 - 50	50 - 145	3"	1
1 3/4" / 2"	0 - 45	65 - 145	3"	2
1 3/4" / 2"	0 - 60	80 - 145	3"	3
1 3/4" / 2"	0 - 75	30 - 145	5"	2

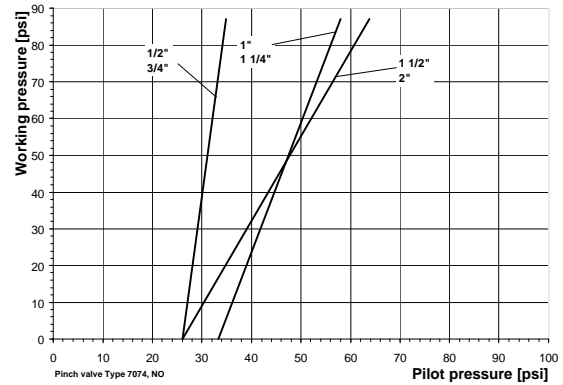
 Standard

Spring Opens/Air to Close

Actuator diameter 2"



Actuator diameter 3"



Actuator diameter 5"

