

# Mini Pinch Valve

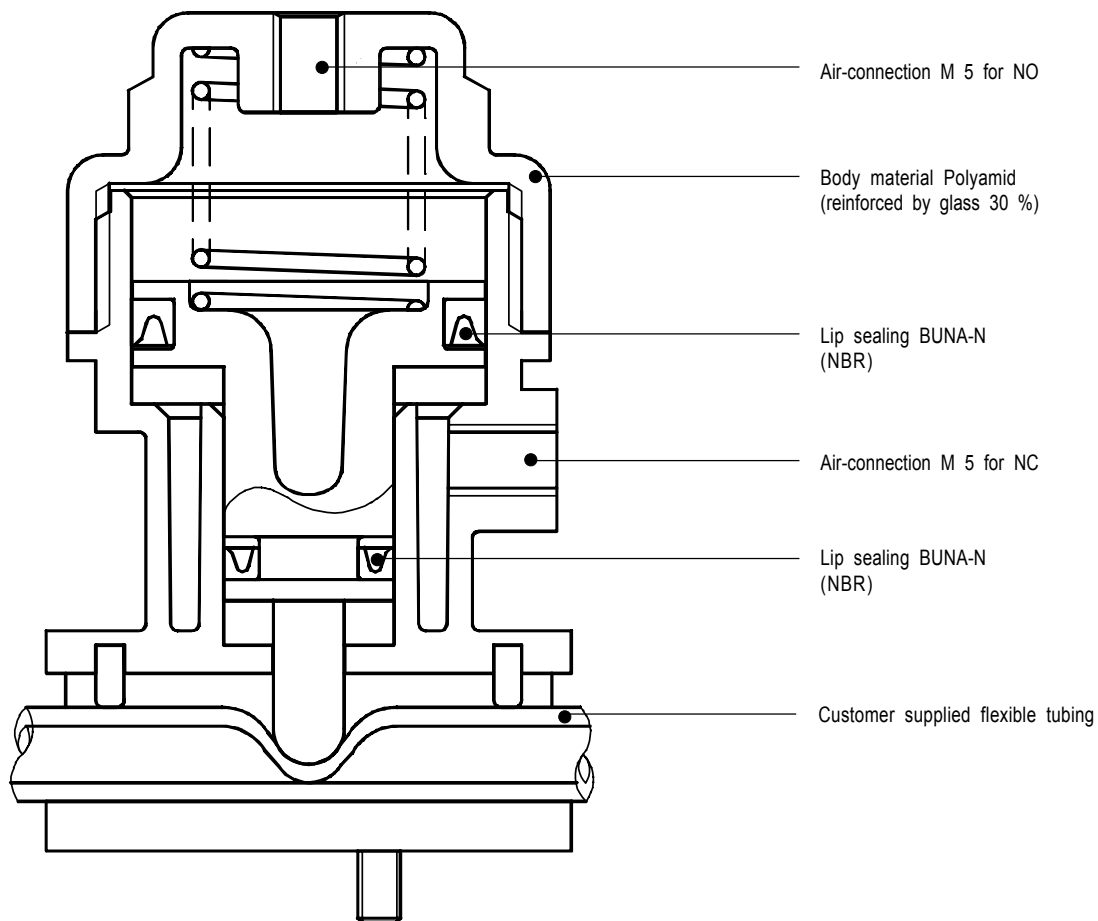
# 7071



## 1/24" up to 1/8"

Valve for special applications in chemistry, analysis and medical technology.

- Fast and simple change of flexible tube
- No fluid contact to the valve
- Pneumatic actuator
- Reverse of function possible

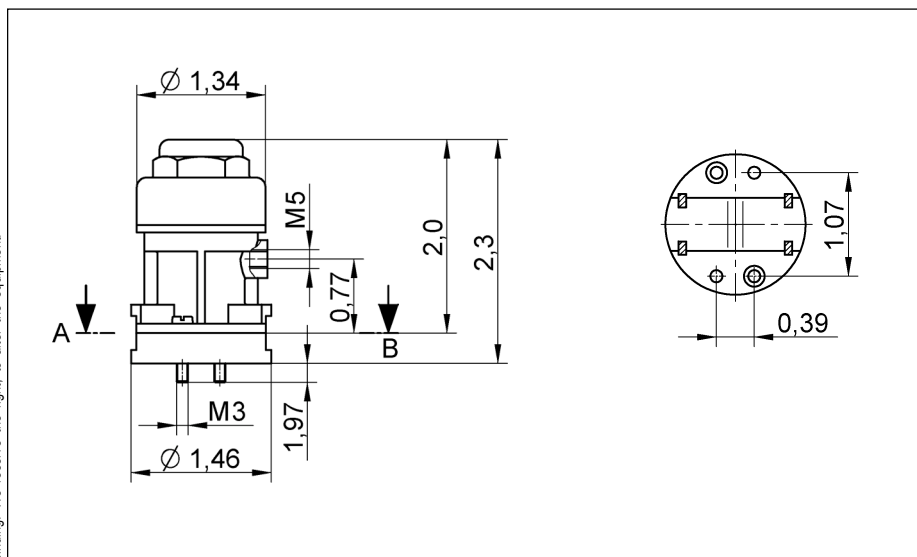


# Mini Pinch Valve 7071

## Technical Information

	Version			Version		
	normally closed			normally open		
Tube orifice size	1/24"	1/16"	1/8"	1/24"	1/16"	1/8"
Tube outside diameter (inch)	0.15	0.25	0.35	0.15	0.25	.035
Working pressure (psi) Tube quality < 55 Shore	0 - 30	0 - 25	0 - 15	0-75 psi according to the quality of the tube 50-70 Shore and the pilot pressure 15-90 psi		
Pilot pressure (psi)	15	15	15	15 - 90	15 - 90	15 - 90
Max. pilot pressure (psi)	90	90	90	90	90	90
Thread of pilot connection	M5	M5	M5	M5	M5	M5
Actuator	pneumatic piston Ø 1"			pneumatic piston Ø 1"		
Fluid temperature	-22°F up to +212°F			-22°F up to +212°F		
Ambient temperature	-22°F up to +140°F			-22°F up to +140°F		
Switching time (sec.)						
for opening	0.05	0.05	0.05	0.1	0.1	0.1
for closing	0.2	0.2	0.2	0.1	0.1	0.1
Viscosity of working medium (according to the orifice size)	12 up to 20°E (90 up to 150 cSt)			12 up to 20°E (90 up to 150 cSt)		
Weight (lbs)	0.15			0.15		
Ordering Numbers (each valve includes DN 2, DN 4 and DN 6)	4 005 038			4 005 035		

## Dimensions



Dimensions in inch