

# Angle Seat Manual Valve

# 7011



## 1/2" up to 2", 580 psi

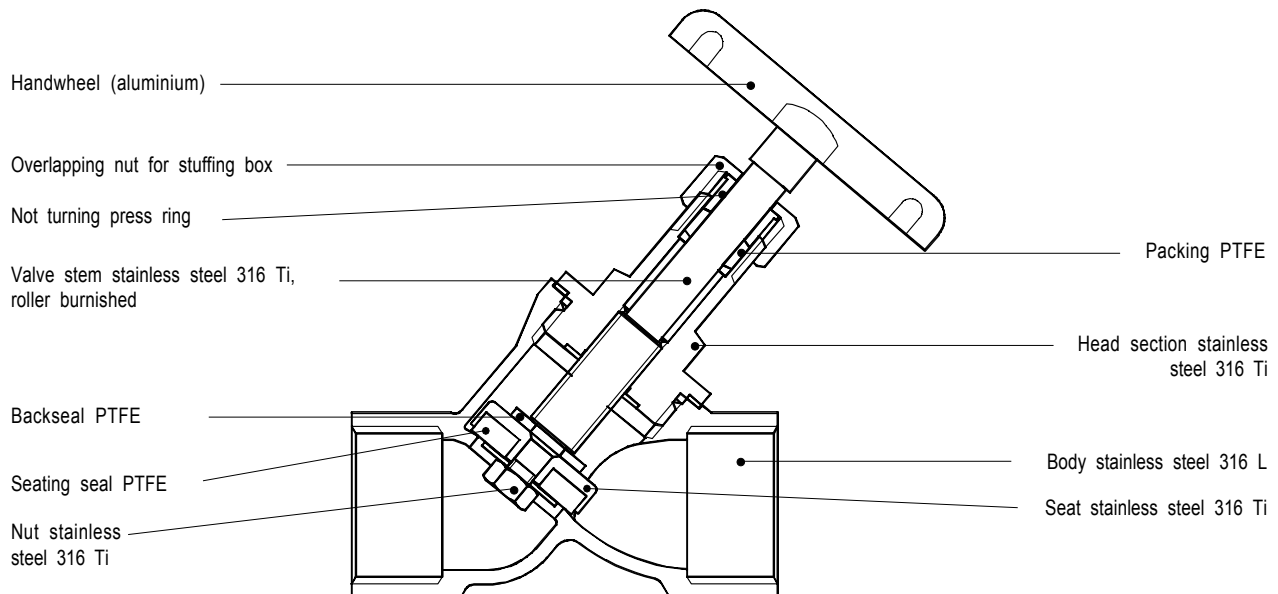
Manually operated valve for neutral up to highly aggressive media.

- Compact design
- Working pressure up to 580 psi
- All parts contacting the fluid made from stainless steel
- Backsealing to unburden the stuffing box when the valve is opened



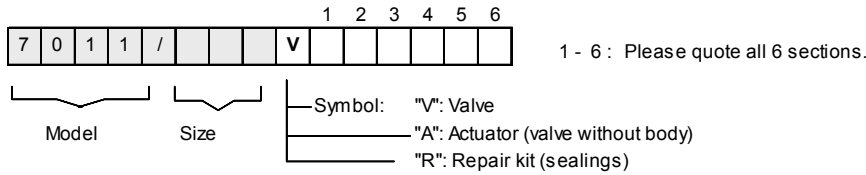
### Technical Information

Orifice sizes	1/2" - 2"	
Connections	ISO thread	Rp 1/2" - Rp 2"
	NPT thread	1/2" - 2"
	Tri clamp	1/2" - 2"
	<b>others upon request</b>	
Body material	Stainless steel 316 L	
Nominal pressure	235 psi	
Fluid temperature	-22°F up to +392°F	



# Angle Seat Manual Valve 7011

## Ordering Number System



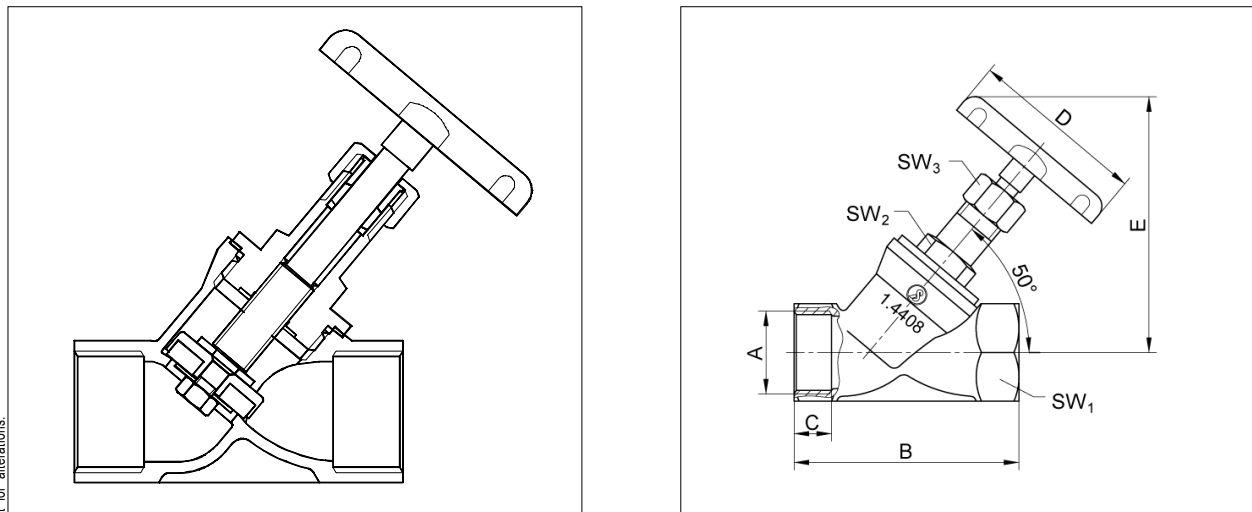
1. Body type		2. Connection		3. Body material		4. Seating seal		5. Pilot function		6. Actuator	
1	Angle body	H	Welding ends acc. ISO	2	Stainless steel 316	0	PTFE	-	Without	5	Manually operated
		5	NPT-thread			1	Viton				
		Z	Tri-clamp			2	EPDM				
		*	others upon request			3	BUNA-N				

7. Springs		8. Head section material		9. Packing		10. Temperature version		11. Accessories		12. Special versions	
-	Standard	-	Standard	-	Standard	-	Standard	-	No accessories	S	Special versions

**Ordering example:**      7011/015V1520-5  
 Nominal size 1/2", angle body valve, NPT-thread, stainless steel body, seat material PTFE, manual operation.

## Dimensions and Weights



DN	A Rp/NPT	B	C	D	E		SW1	SW2	SW3	Cv-value	Weight (lbs)
					opened	closed					
15	1/2"	2.56	0.47	2.36	3.15	2.87	0.98	0.75	0.79	4.5	0.42
20	3/4"	2.95	0.51	2.76	3.78	3.39	1.22	0.75	0.79	11.1	0.59
25	1"	3.54	0.59	2.76	4.33	3.78	1.54	0.75	0.79	19.7	1.01
32	1 1/4"	4.33	0.67	3.15	5.2	4.57	1.89	0.94	0.94	32.5	1.69
40	1 1/2"	4.72	0.75	3.15	5.55	4.8	2.17	0.94	0.94	45.2	2.55
50	2"	5.91	0.83	3.94	6.65	5.67	2.68	1.06	1.06	71.9	3.78

Text and pictures are not binding. We reserve the right for alterations.

Dimensions in inch